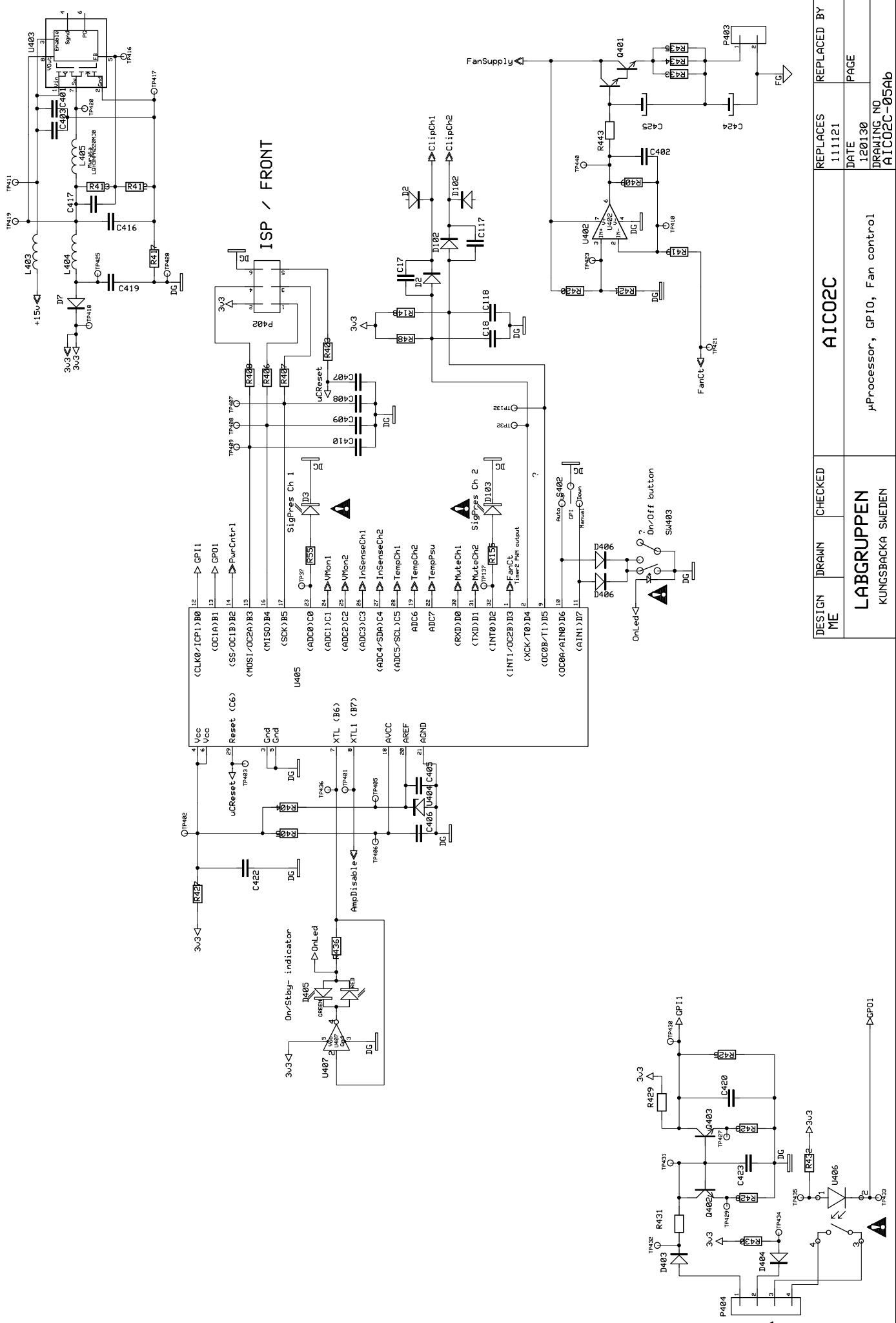


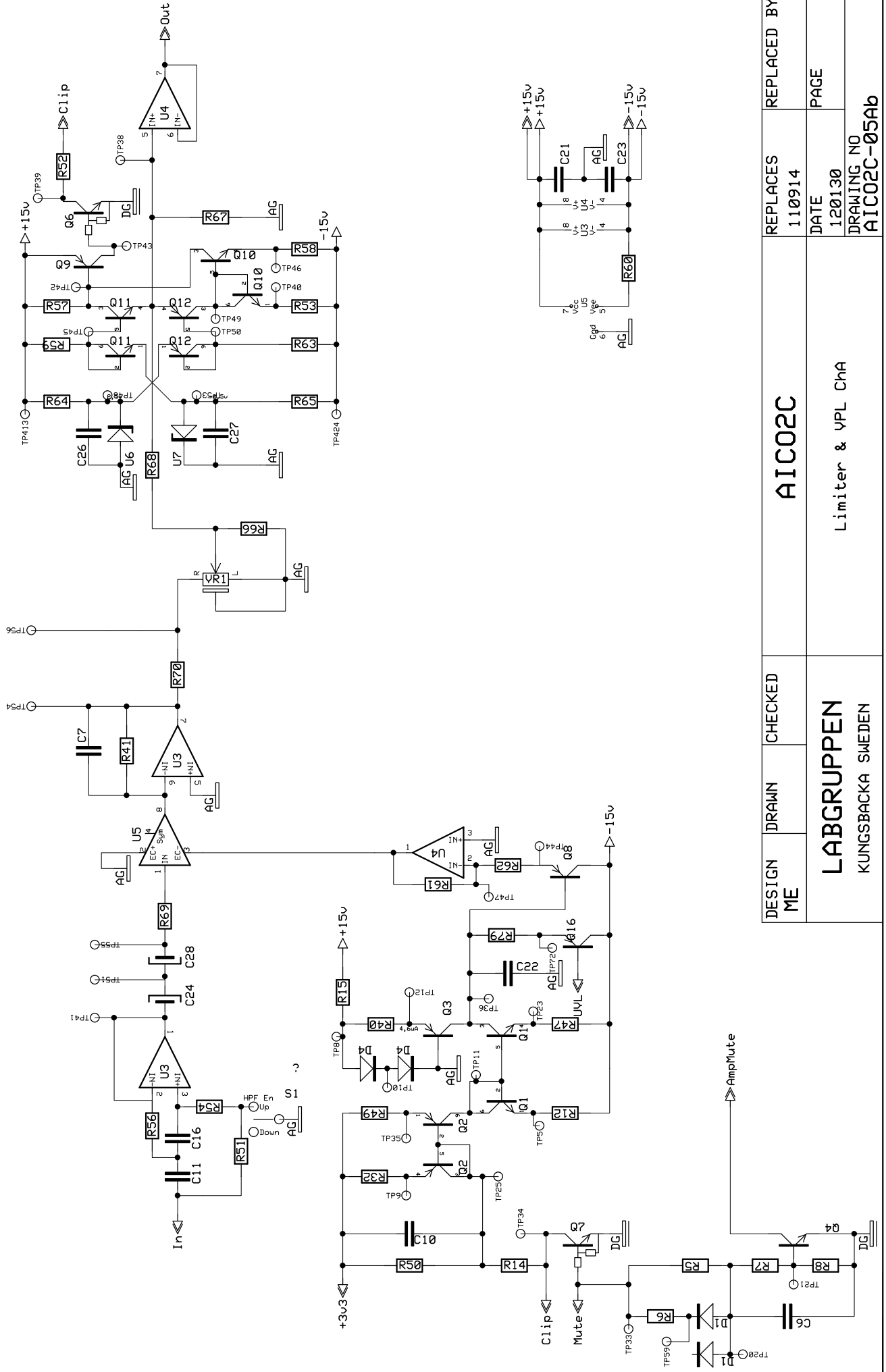
DESIGN ME	DRAWN	CHECKED	REPLACES
			111121
LABGRUPPEN			AIC02C
KUNGSBACKA SWEDEN			120130
Analog Input, Control and Output			DRAWING NO
2 channels			AIC02C-05Ab
			PAGE



ISP / FRONT

DESIGN ME	DRAIN	CHECKED	AIC02C	REPLACES 111121	REPLACED BY
LABGRUPPEN KUNGSBACKA SWEDEN			DATE 120130	DRAWING NO AIC02C-05A0	PAGE
			µProcessor, GPIO, Fan control		

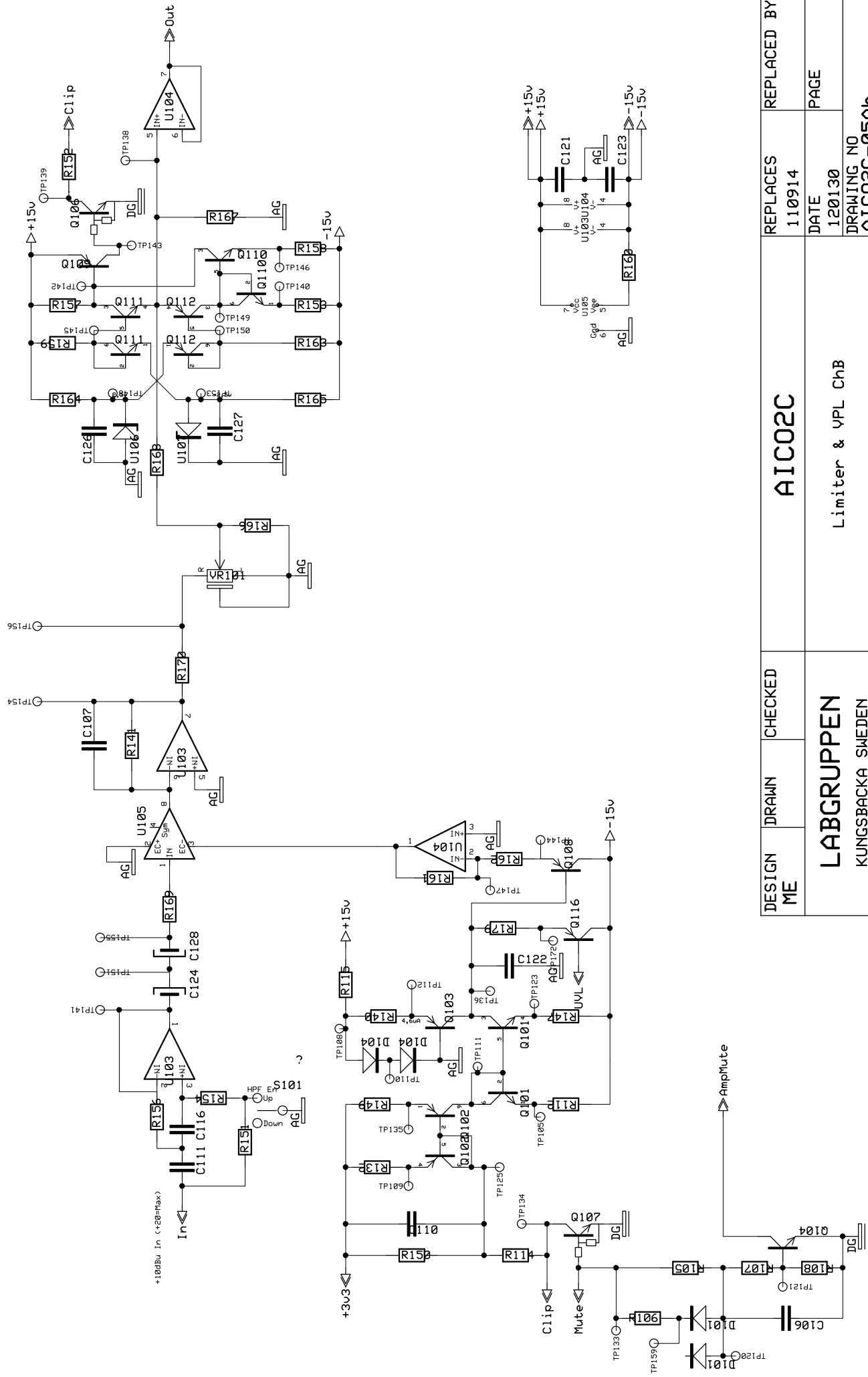
Clips @ 7,19 dBu (2,5v pk)



DESIGN	DRAWN	CHECKED	REPLACES	REPLACED BY
ME			AIC02C	110914
LABGRUPPEN KUNGSBACKA SWEDEN			DATE	PAGE
			120130	
			DRAWING NO	AIC02C-05Ab

Limiter & YPL ChA

Clips @ 7,19 dBu (2,5v pk)



DESIGN ME	DRAWN	CHECKED	REPLACES	REPLACED BY
			110914	110914
			DATE	PAGE
			120130	
			DRAWING NO	
			AIC02C-05Ab	
LABGRUPPEN KUNGSBACKA SWEDEN			Limiter & VPL ChB	