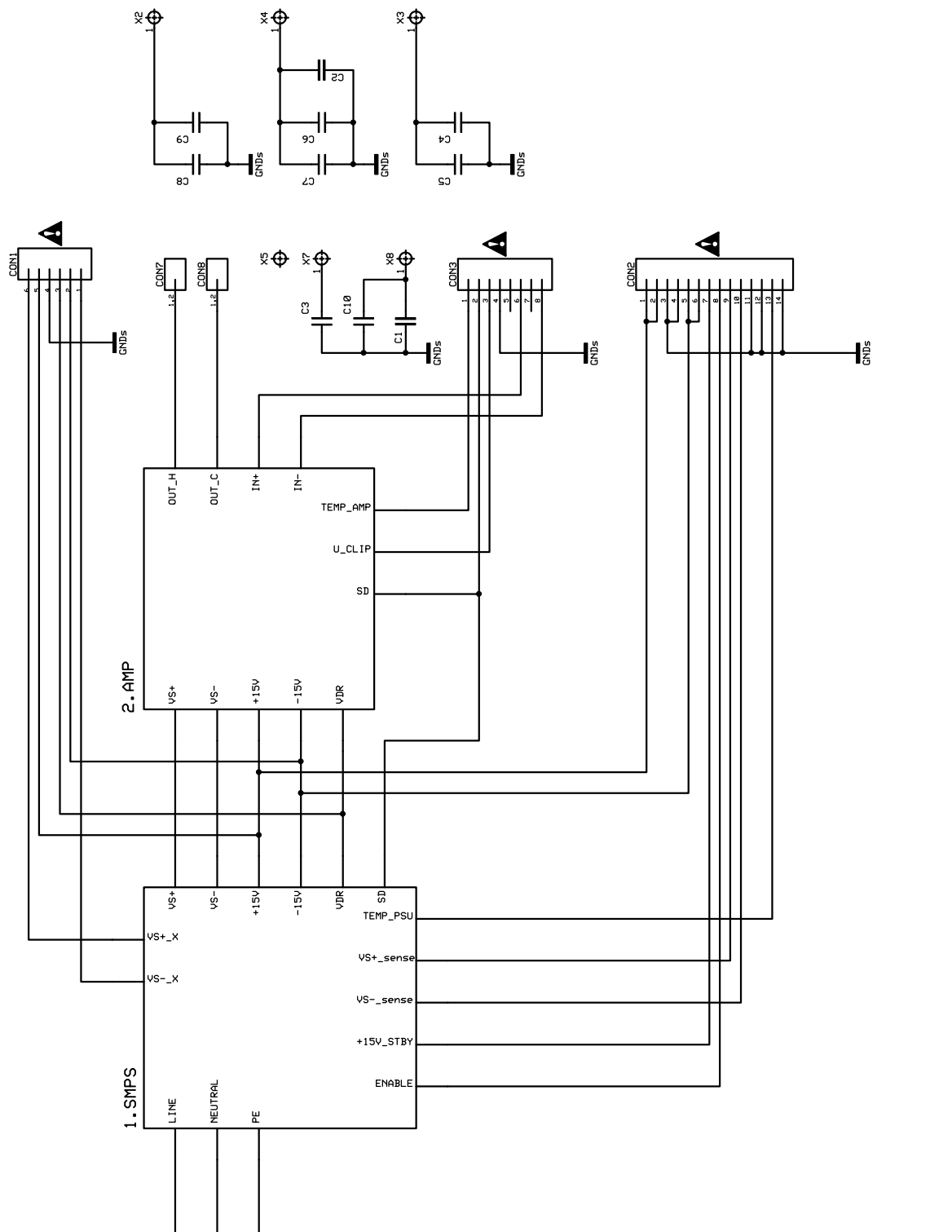


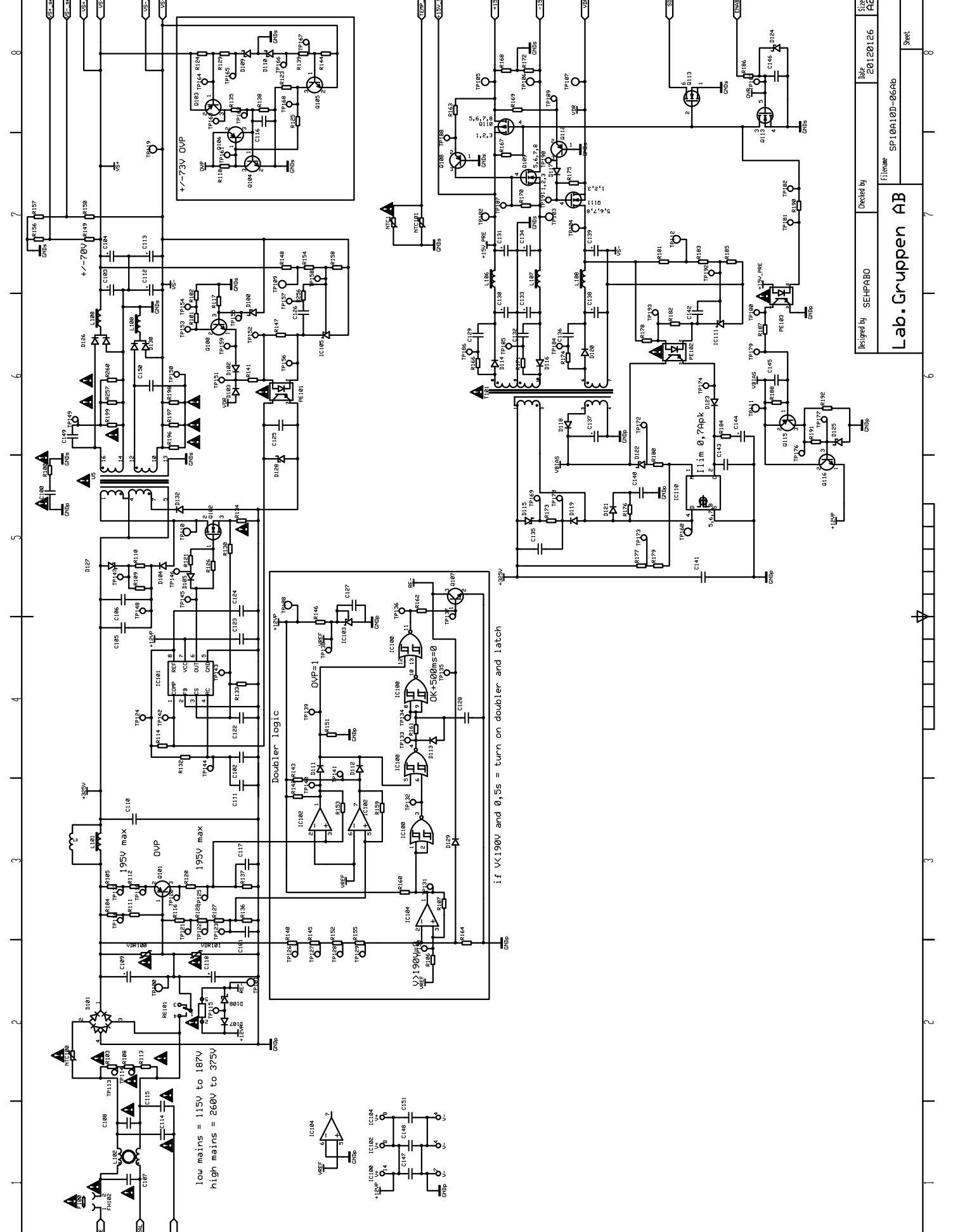
LOCAL LIBRARY CHANGED TO FIT INSIGHT!!! USE ONLY LOCAL COMPONENTS WHEN THEY EXIST!

1 2 3 4 5 6 7 8



Designed by	SEHPABO	Checked by		Date	20120126	Size	A3
Lab. Gruppen AB				Filename	SP10A10D-06Ab	Sheet	

LOCAL LIBRARY CHANGED TO FIT INSIGHT!!! USE ONLY LOCAL COMPONENTS WHEN THEY EXIST!



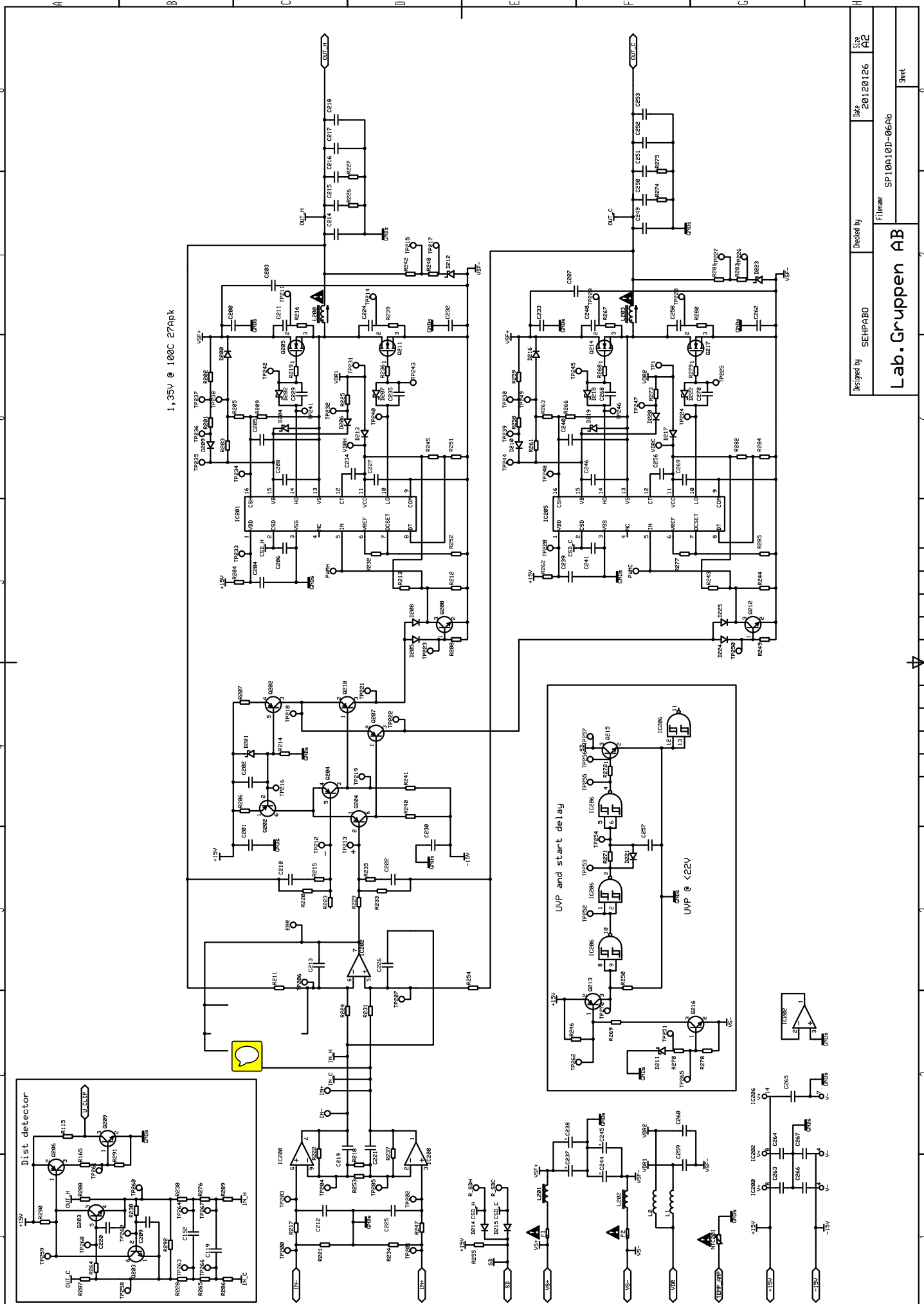
low mains = 115V to 187V
high mains = 260V to 375V

if V_{K190V} and $0.5s$ = turn on doubler and latch

Designed by	SEHPABO	Checked by	Mat	20120126	Size	A2
Lab. Gruppen AB			Filename		SP10A10D-06AB	Sheet

LOCAL LIBRARY CHANGED TO FIT INSIGHT!!!

USE ONLY LOCAL COMPONENTS WHEN THEY EXIST!



1.35V @ 100C 27Apk

Designed by	SEHPABO	Checked by	
Date	20120126	Size	A2
Filename	SP10A10D-06Ab	Sheet	8

Lab. Gruppen AB