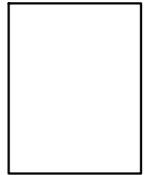
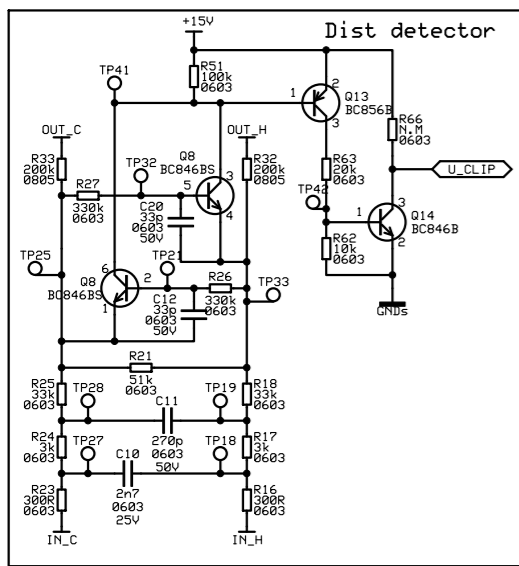


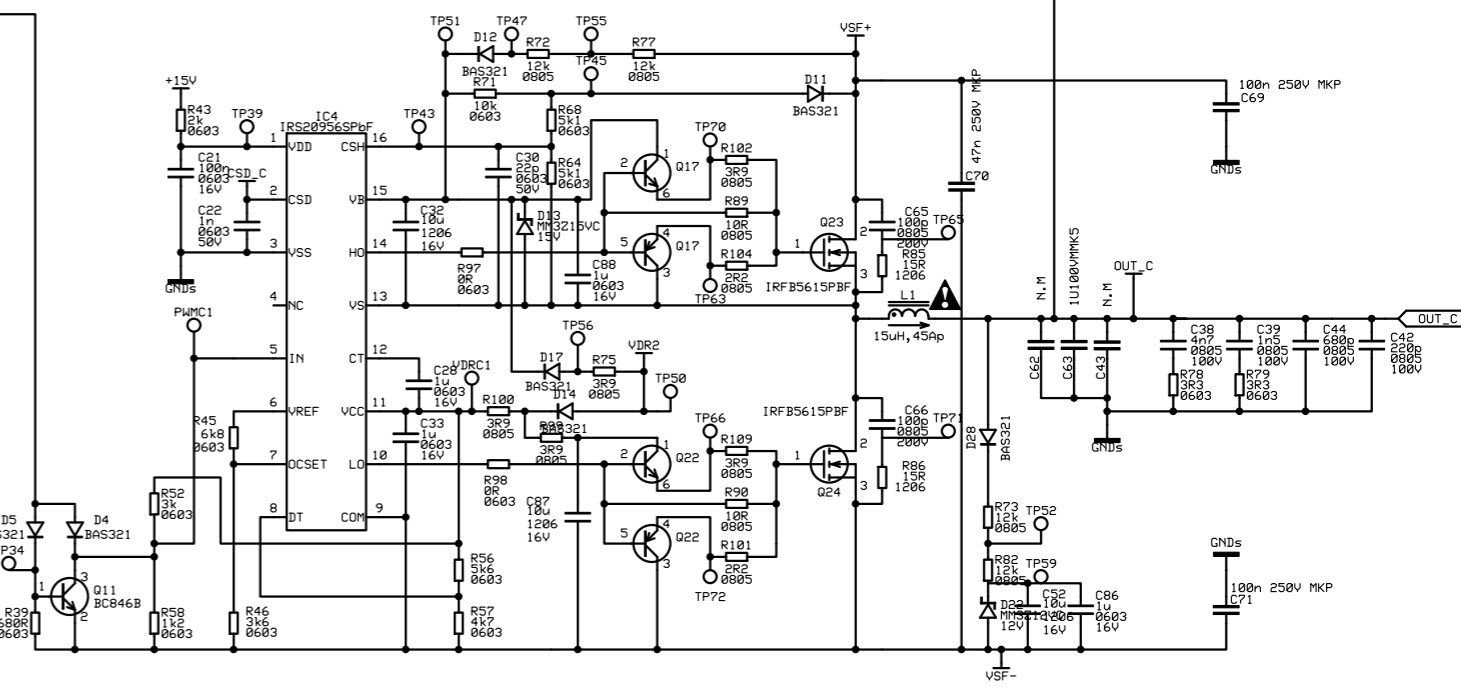
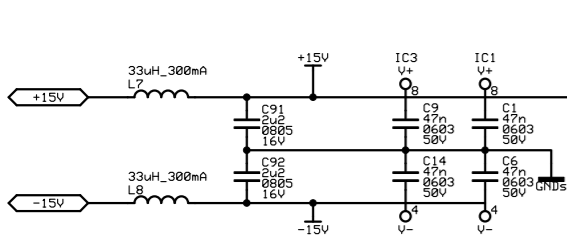
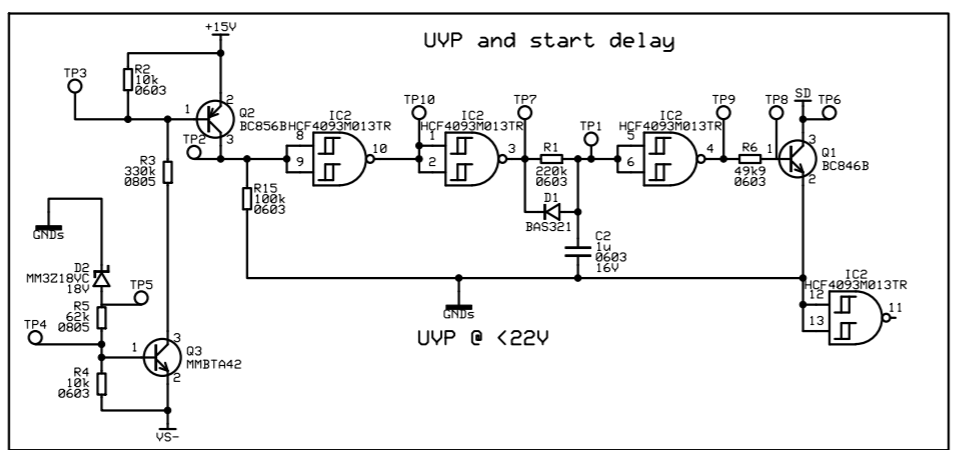
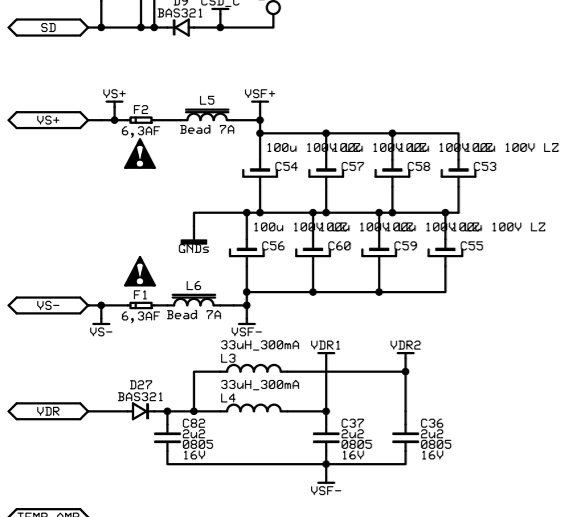
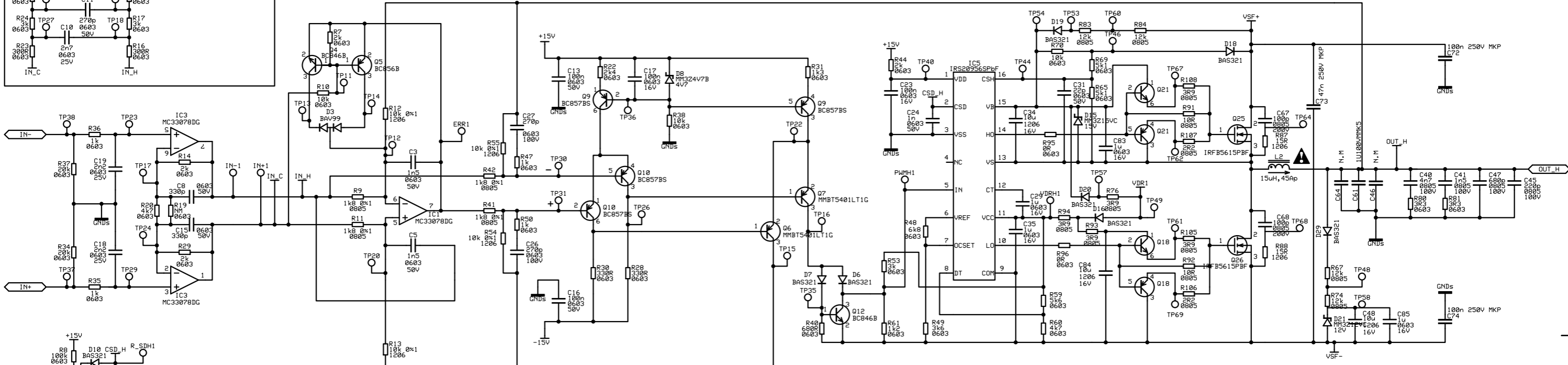
Accessories



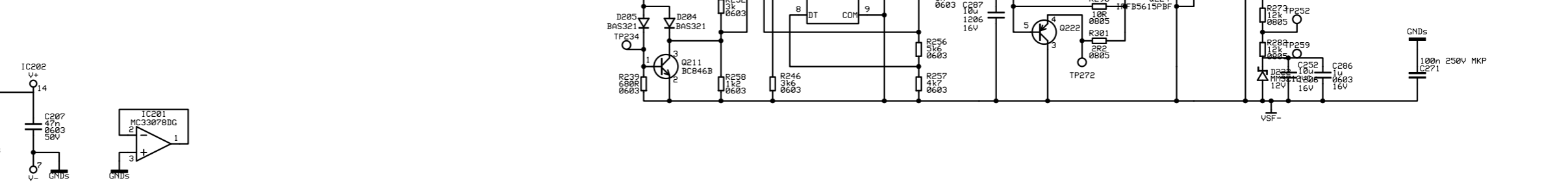
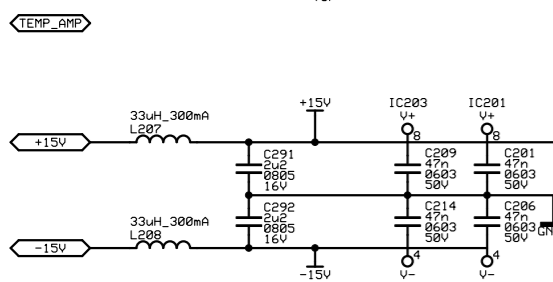
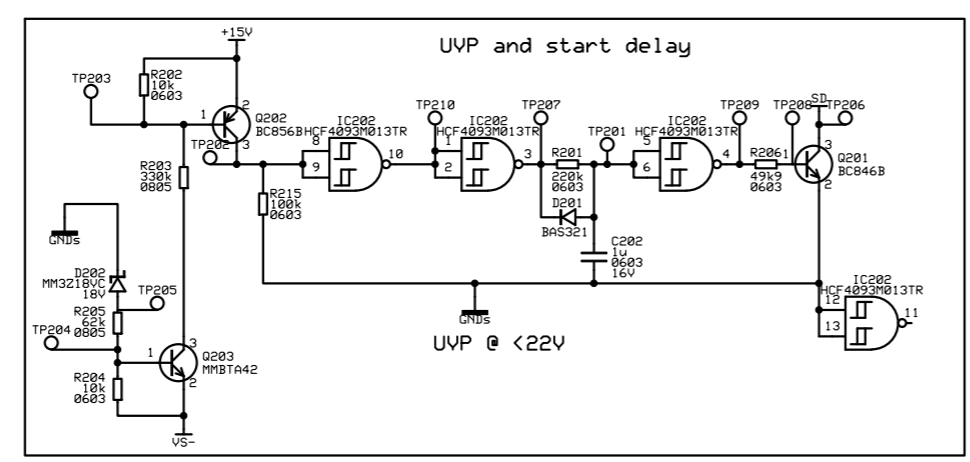
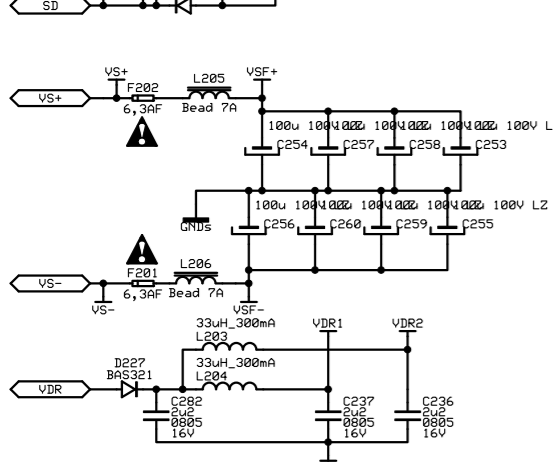
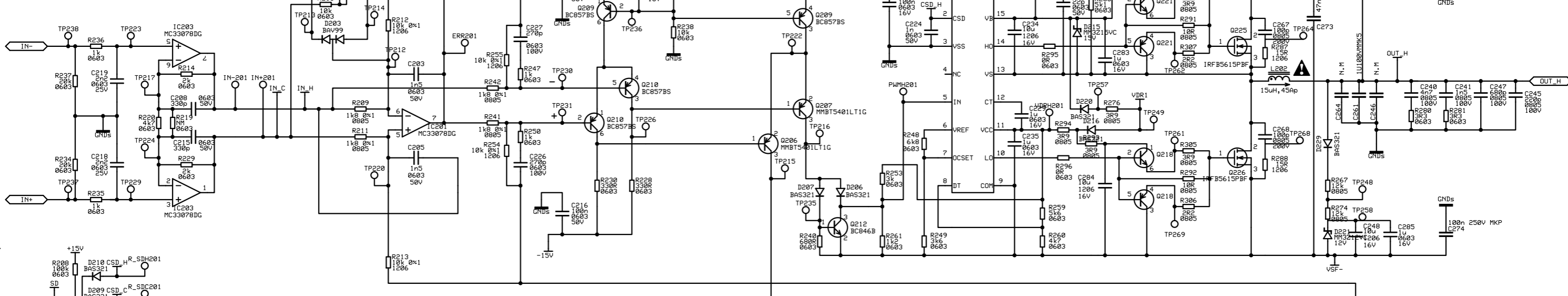
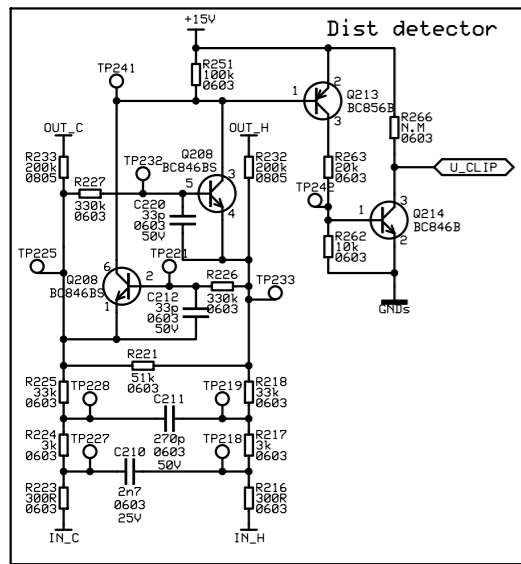
Designed by FK	Checked by	Date 20160829	Size A3
Lab. Gruppen AB		Filename A604D-06Aa	
		Sheet	



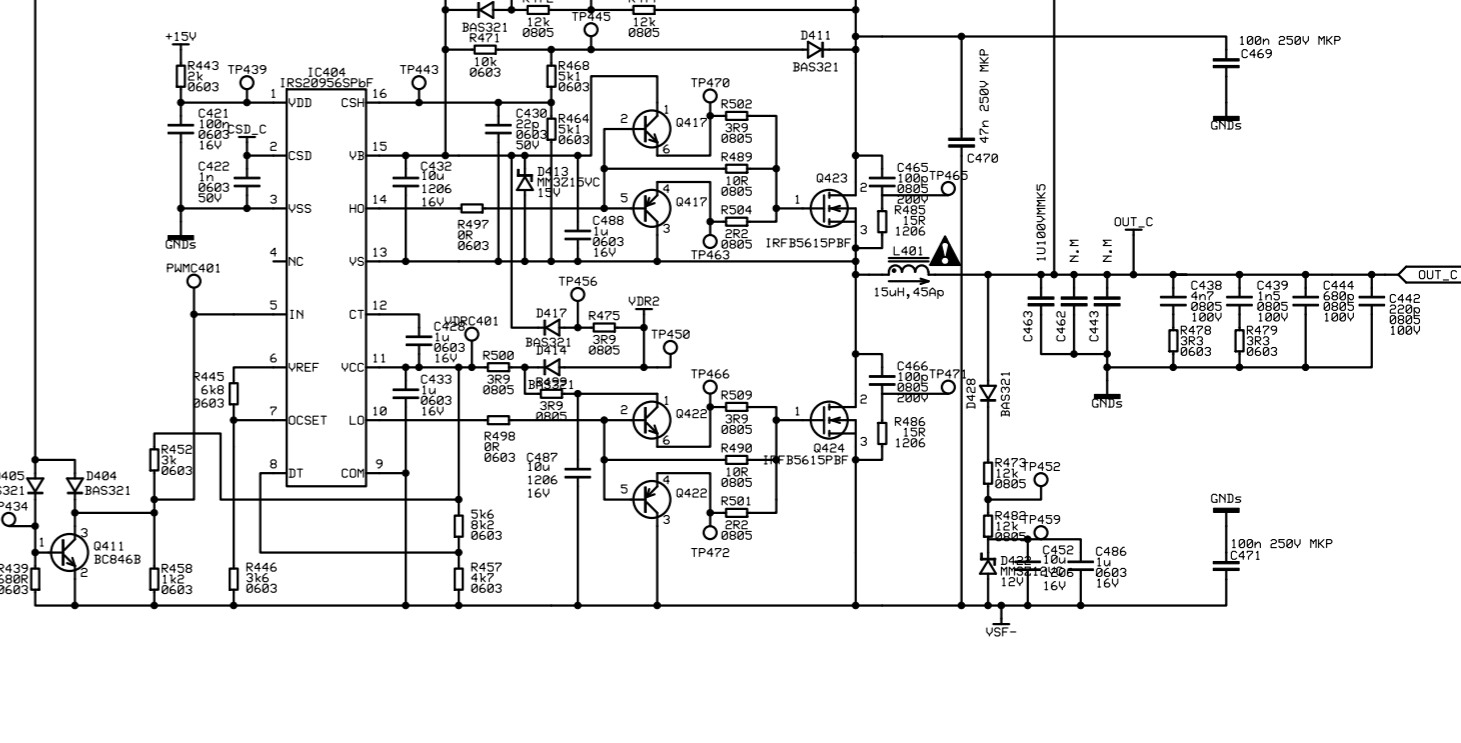
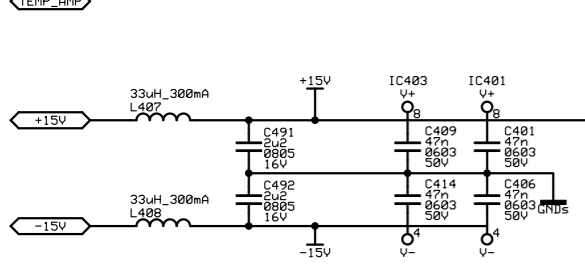
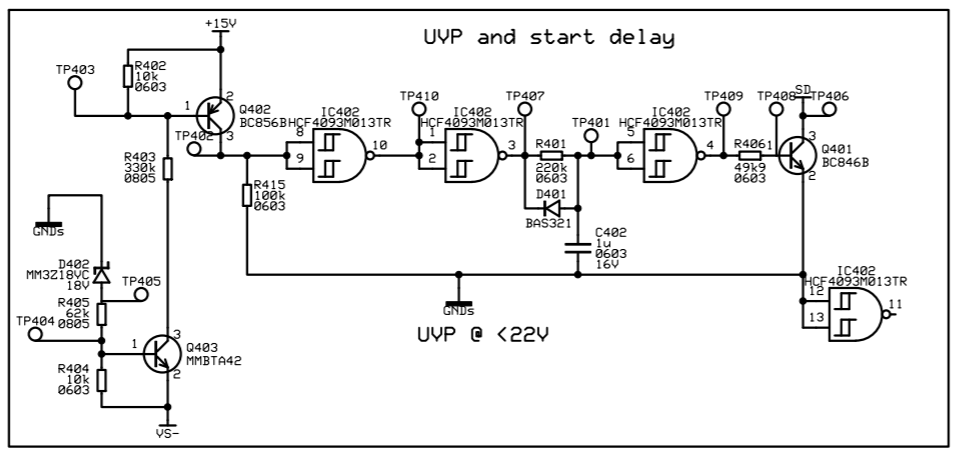
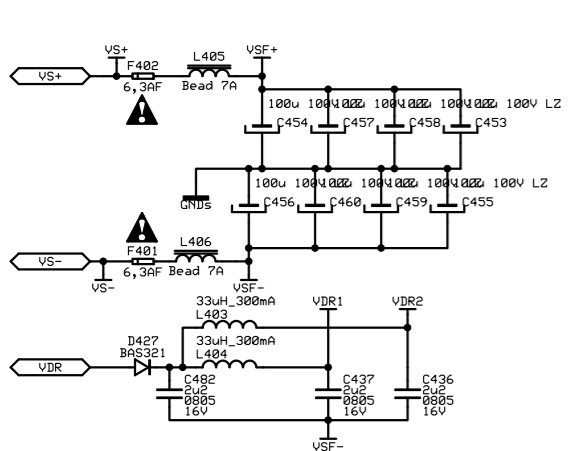
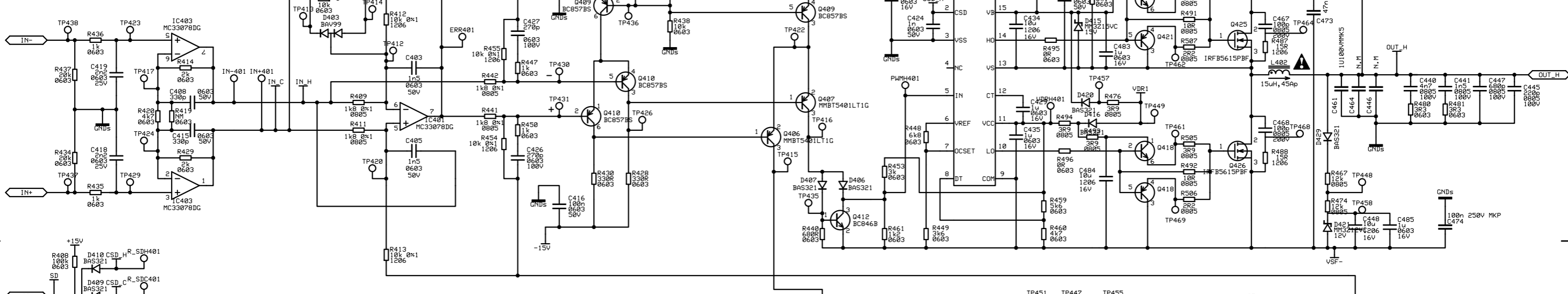
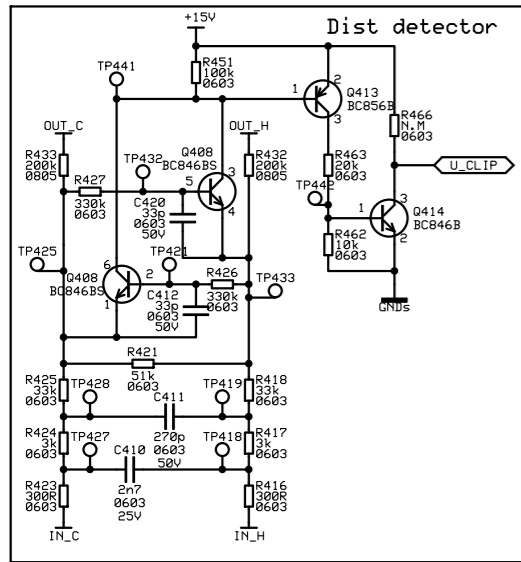
1, 35V @ 100C 27Apk



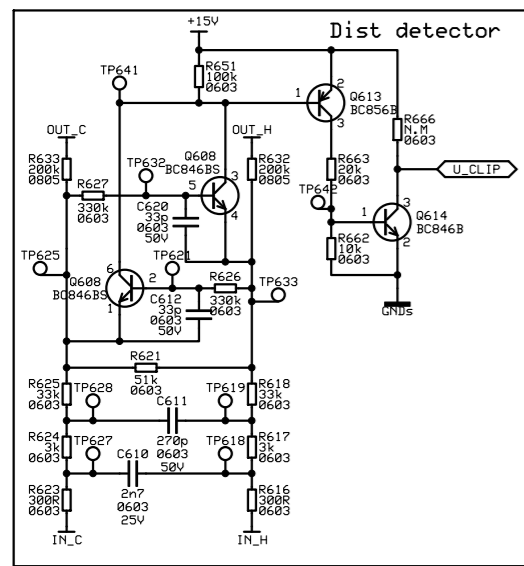
Designed by	FK	Checked by		Date	20160829	Size	A2
<b>Lab. Gruppen AB</b>		Filename		A604D-06Aa		Sheet	
		ChA BTL 1500W					



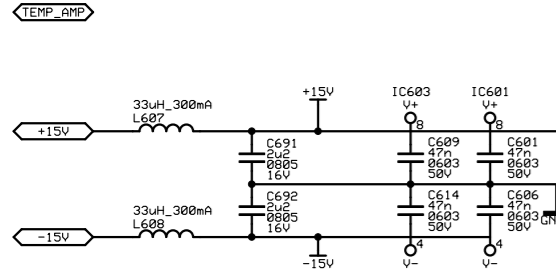
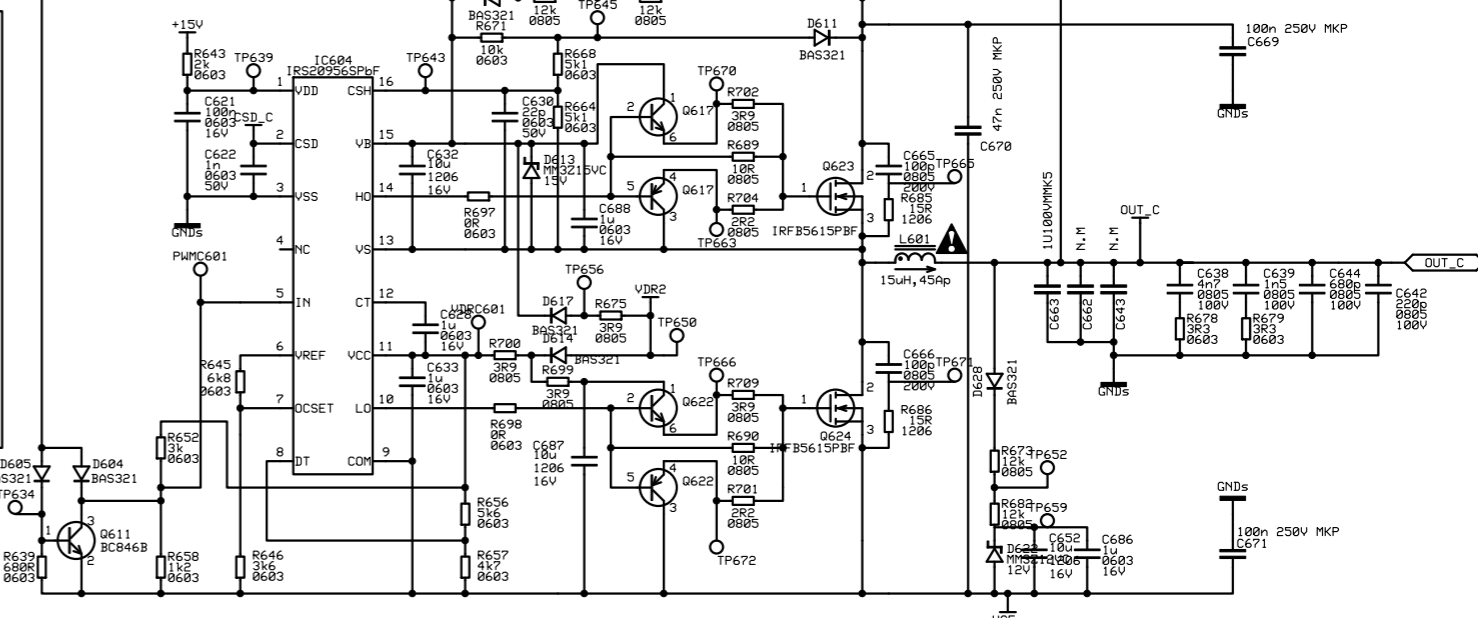
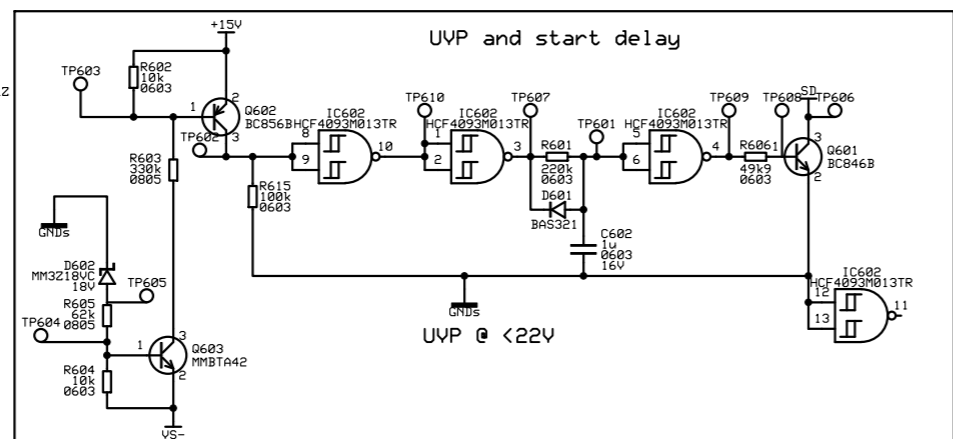
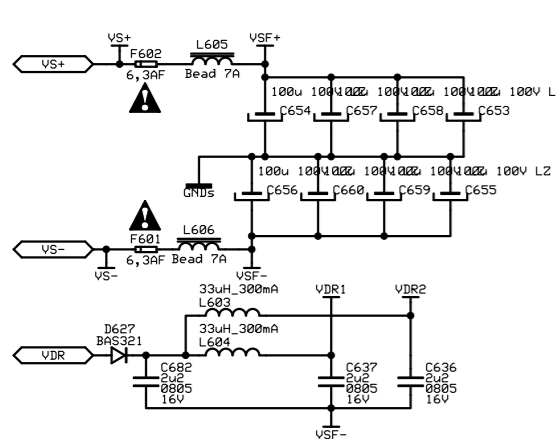
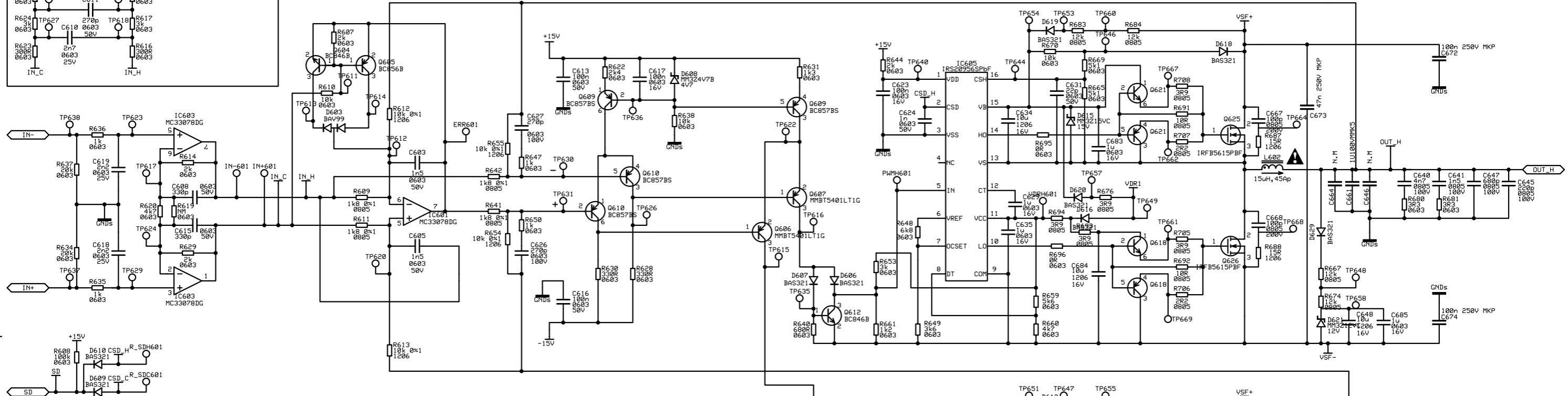
Designed by	FK	Checked by		Date	20160829	Size	A2
Lab. Gruppen AB		Filename		A604D-06Aa		Sheet	
		ChB BTL 1500W					



Designed by FK	Checked by	Date 20160829	Size A2
Lab. Gruppen AB		Filename A604D-06Aa	Sheet
		ChC BTL 1500W	



1,35V @ 100C 27Apk



Designed by	FK	Checked by		Date	20160829	Size	A2
Lab. Gruppen AB		Filename		A604D-06Aa			
				ChD BTL 1500W		Sheet	

1 2 3 4 5 6 7 8

A

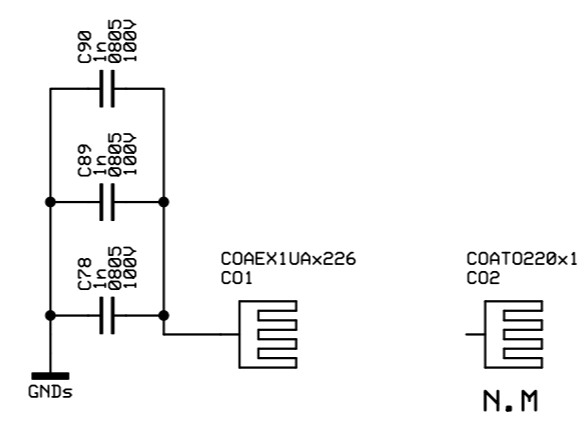
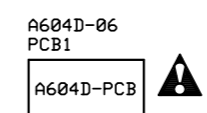
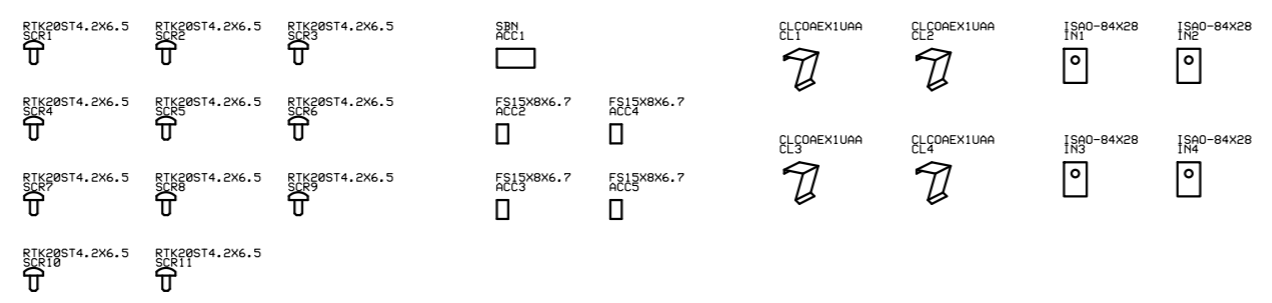
B

C

D

E

F



Designed by FK	Checked by	Date 20160829	Size A3
<b>Lab. Gruppen AB</b>		Filename A604D-06Aa	
		Accessories	Sheet

1 2 3 4 5 6 7 8