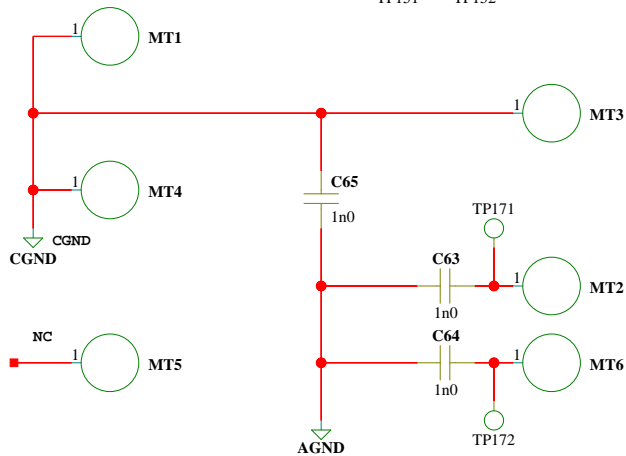
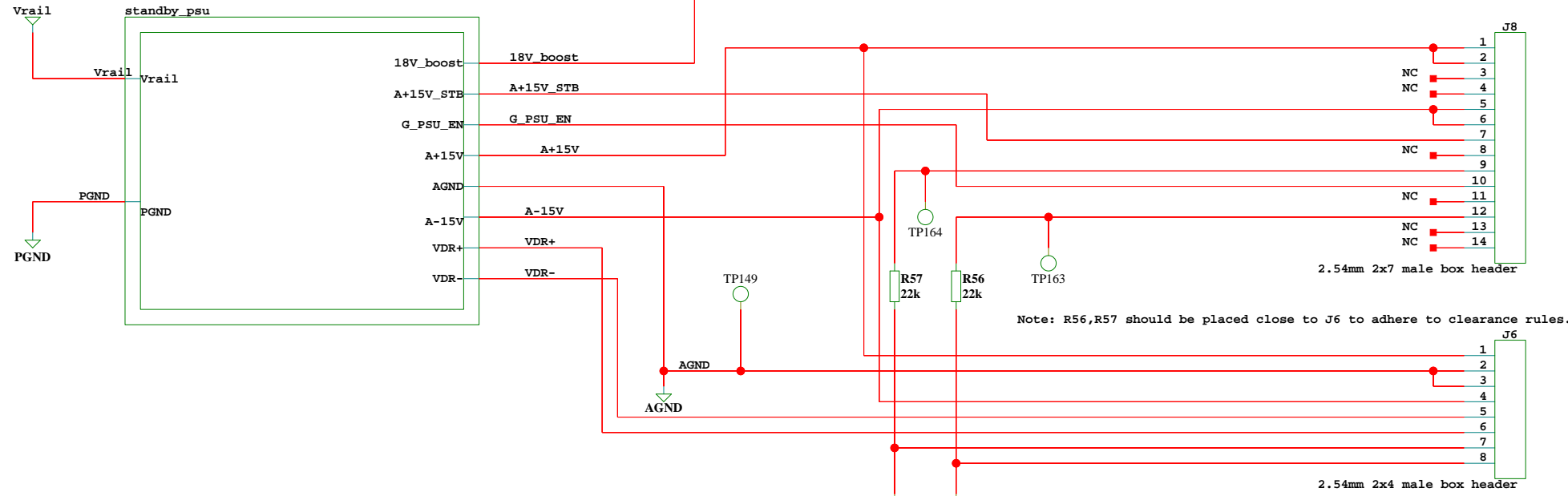
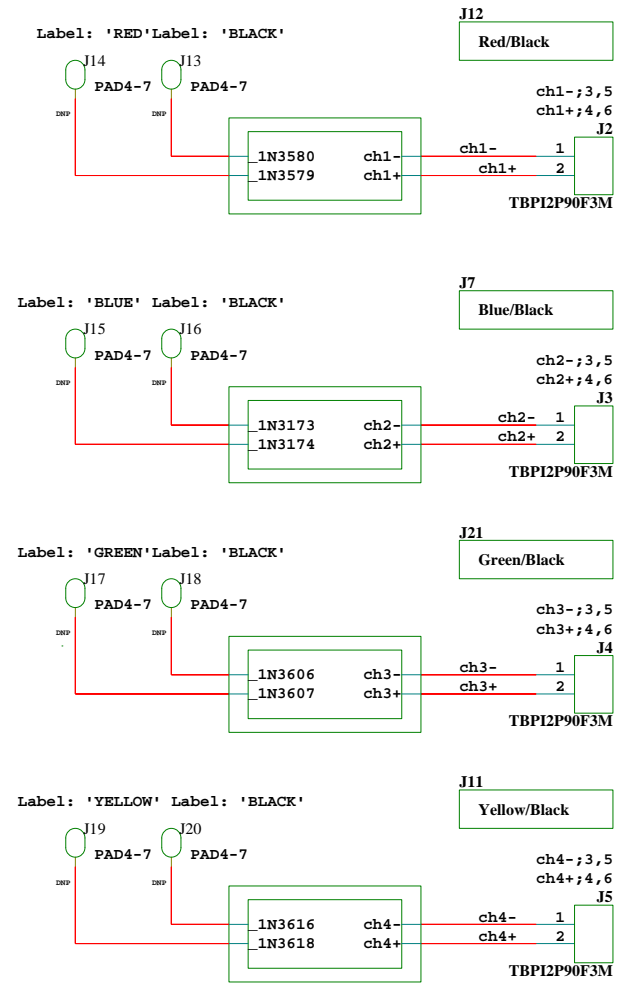


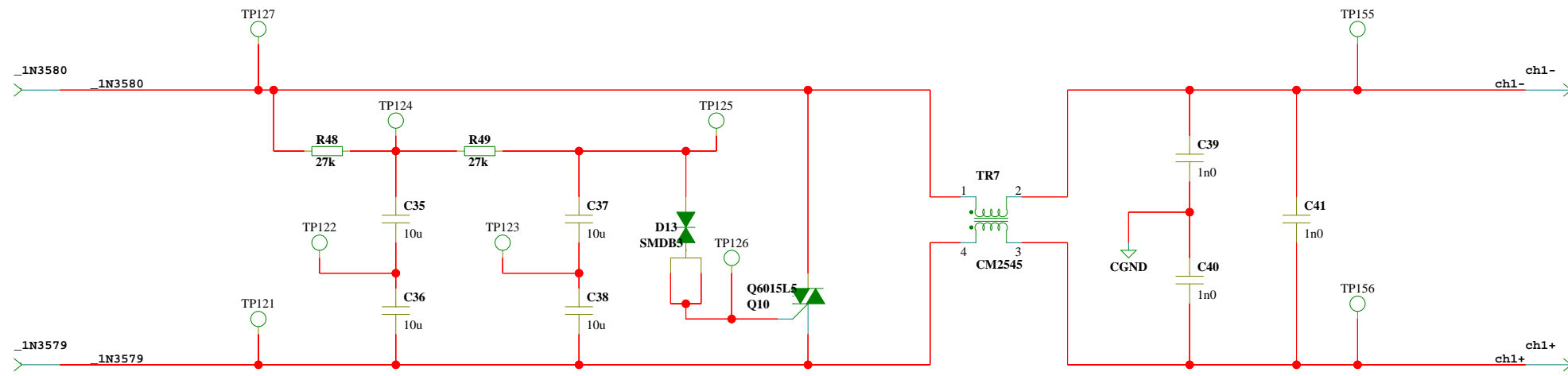
Ensure adequate distance between pins 1 and 2 by grooving.



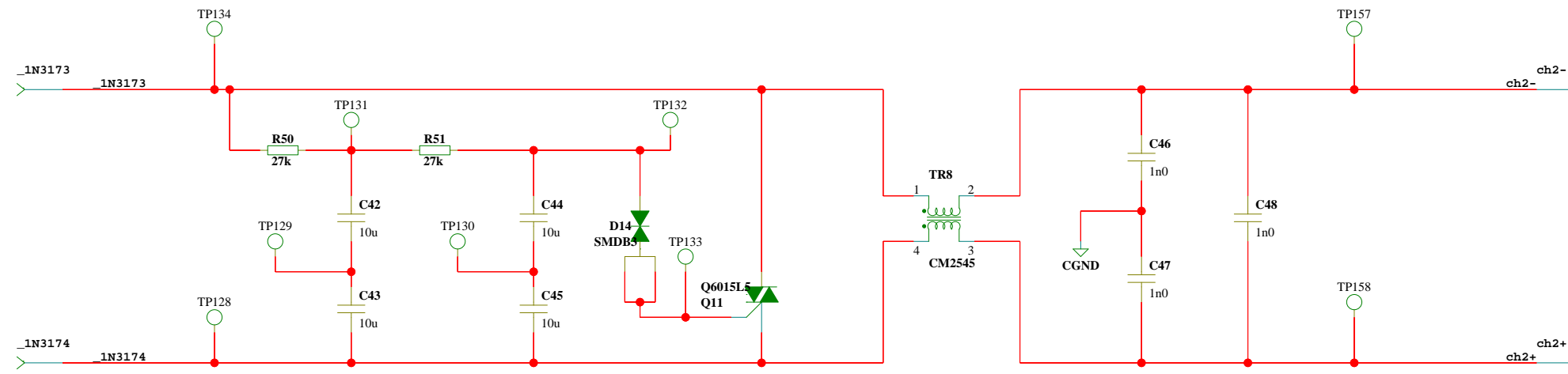
M1  
P35201-E



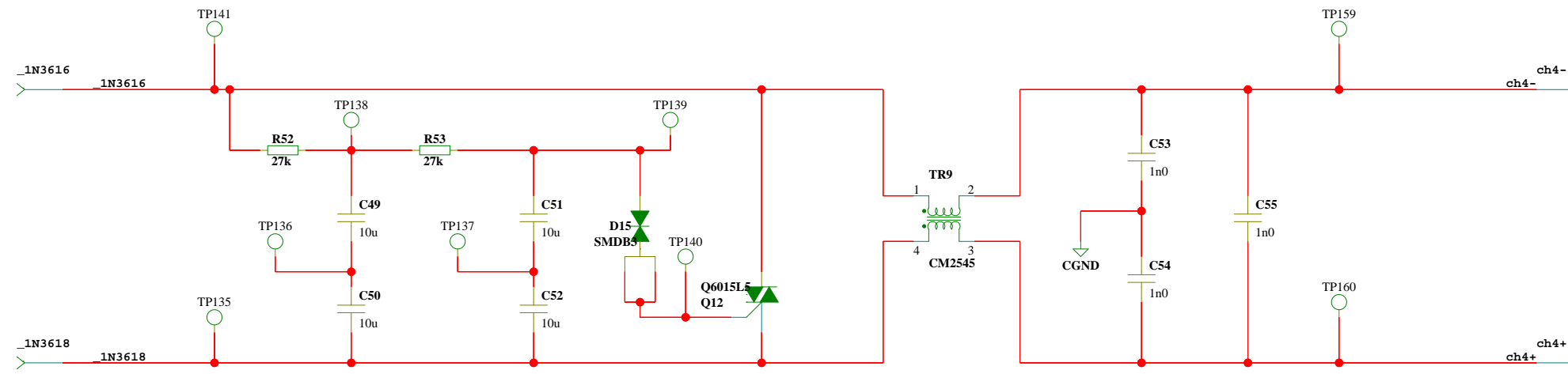
<b>TC Electronic</b>				Designer(s) PECOR
Title 1349 - COWBOY INLET				Module title MODULE TITLE
Number P35201	Revision E	Variant A	Version B	Board type PSU
Date 06/07/2016:13:57	Filename P35201-D		Page / of 1 / 6	



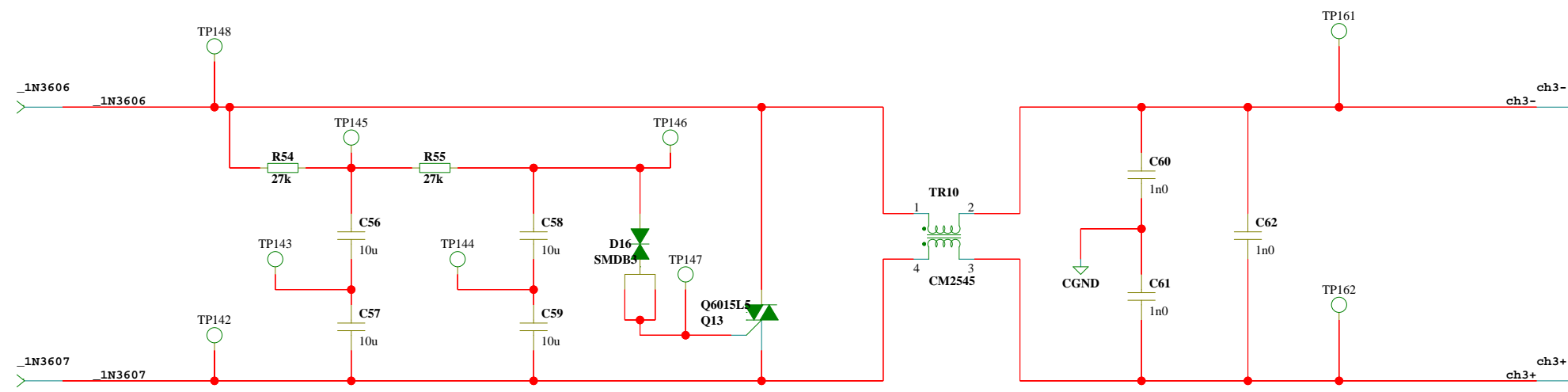
<b>TC Electronic</b>				Designer(s) PECOR
Title 1349 - COWBOY INLET				Module title MODULE TITLE
Number P35201	Revision E	Variant A	Version B	Board type PSU
Date 06/07/2016:13:57	Filename crowbar_ch1			Page / of 2 / 6



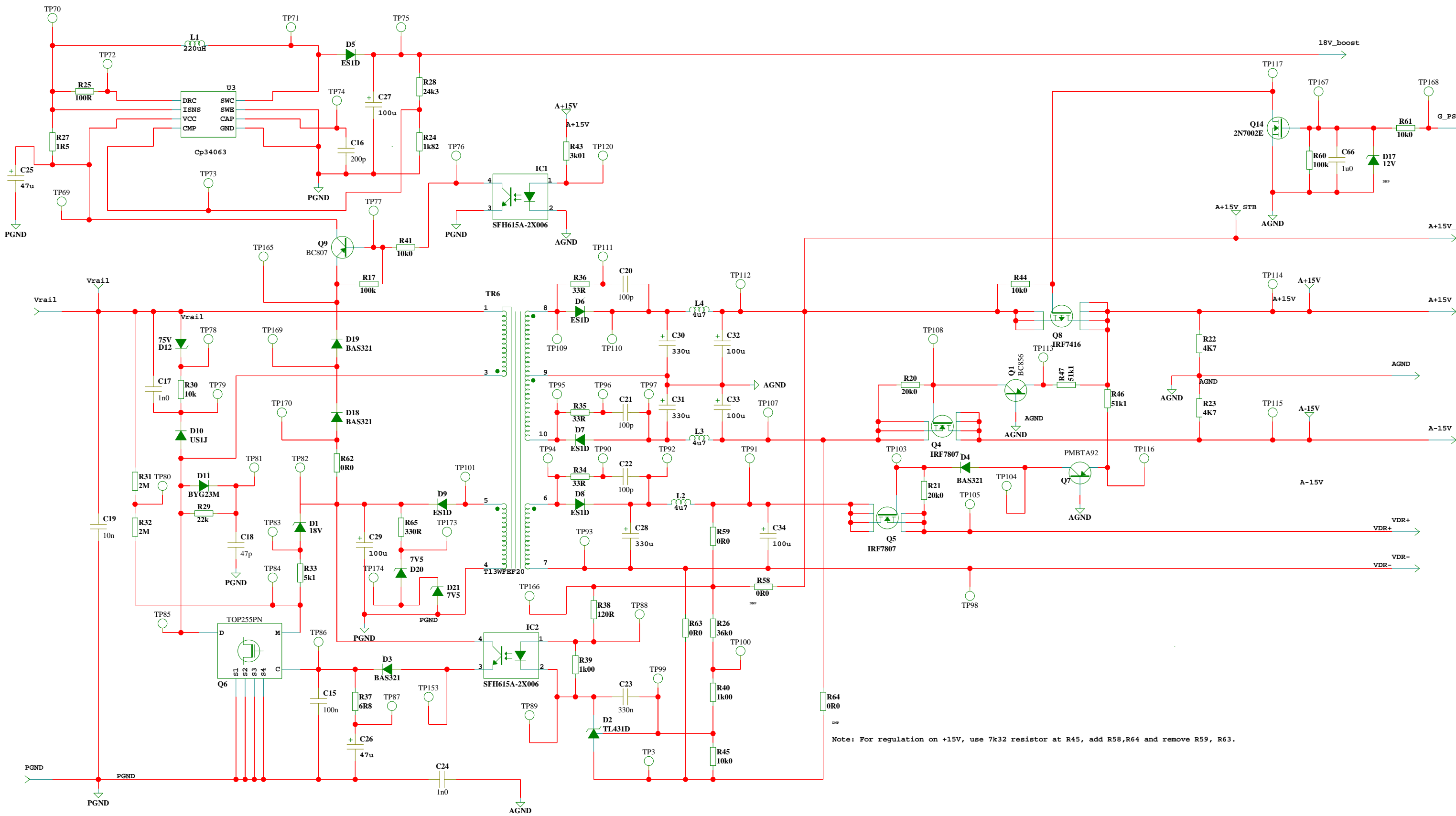
<b>TC Electronic</b>				Designer(s) PECOR
Title 1349 - COWBOY INLET				Module title MODULE TITLE
Number P35201	Revision E	Variant A	Version B	Board type PSU
Date 06/07/2016:13:57	Filename crowbar_ch2			Page / of 3 / 6



<b>TC Electronic</b>				Designer(s) PECOR
Title 1349 - COWBOY INLET				Module title MODULE TITLE
Number P35201	Revision E	Variant A	Version B	Board type PSU
Date 06/07/2016:13:57	Filename crowbar_ch4			Page / of 4 / 6



<b>TC Electronic</b>				Designer(s) PECOR
Title 1349 - COWBOY INLET				Module title MODULE TITLE
Number P35201	Revision E	Variant A	Version B	Board type PSU
Date 06/07/2016:13:57	Filename crowbar_ch3			Page / of 5 / 6



Note: For regulation on +15V, use 7k32 resistor at R45, add R58,R64 and remove R59, R63.

<b>TC Electronic</b>		Designer(s) PECOR	
Title 1349 - COWBOY INLET		Module title MODULE TITLE	
Number P35201	Revision E	Variant A	Version B
Date 06/07/2016:13:57	Filename standby_psu	Board type PSU	
Page / of		6 / 6	