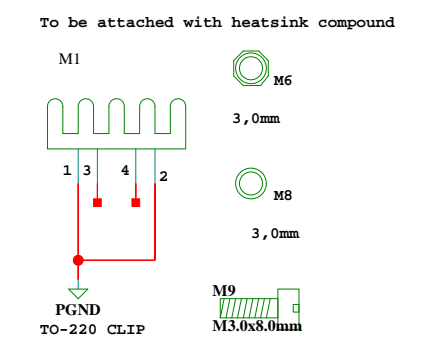
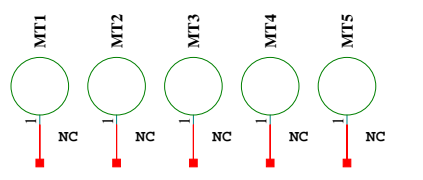


Keep proper distance between pins 1 and 2. Milled groove.



J6 mounted at TP255



M2
P35401-D

D33 should be placed as close to IC1 as possible.

Be aware that R220, R215, R214 are not tested with Q3, Q4 (Replacements of BC856/846).

J403 and J402 could share pin 1 pad on footprint

TC Electronic				Designer(s) PECOR	
Title COWBOY PSU 65 GND -65				Module title MODULE TITLE	
Number P35401	Revision D	Variant B	Version B	Board type POWER BOARD	
Date 25/02/2016:10:21	Filename P35401-D			Page / of 1 / 1	