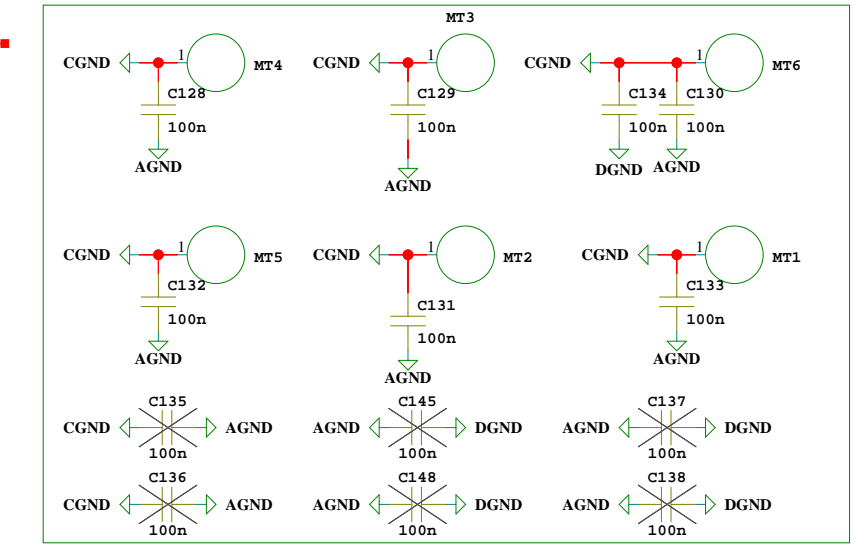
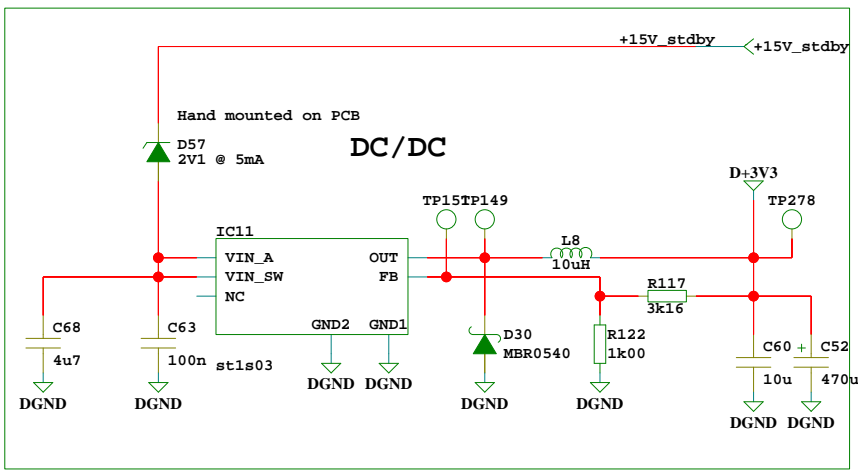
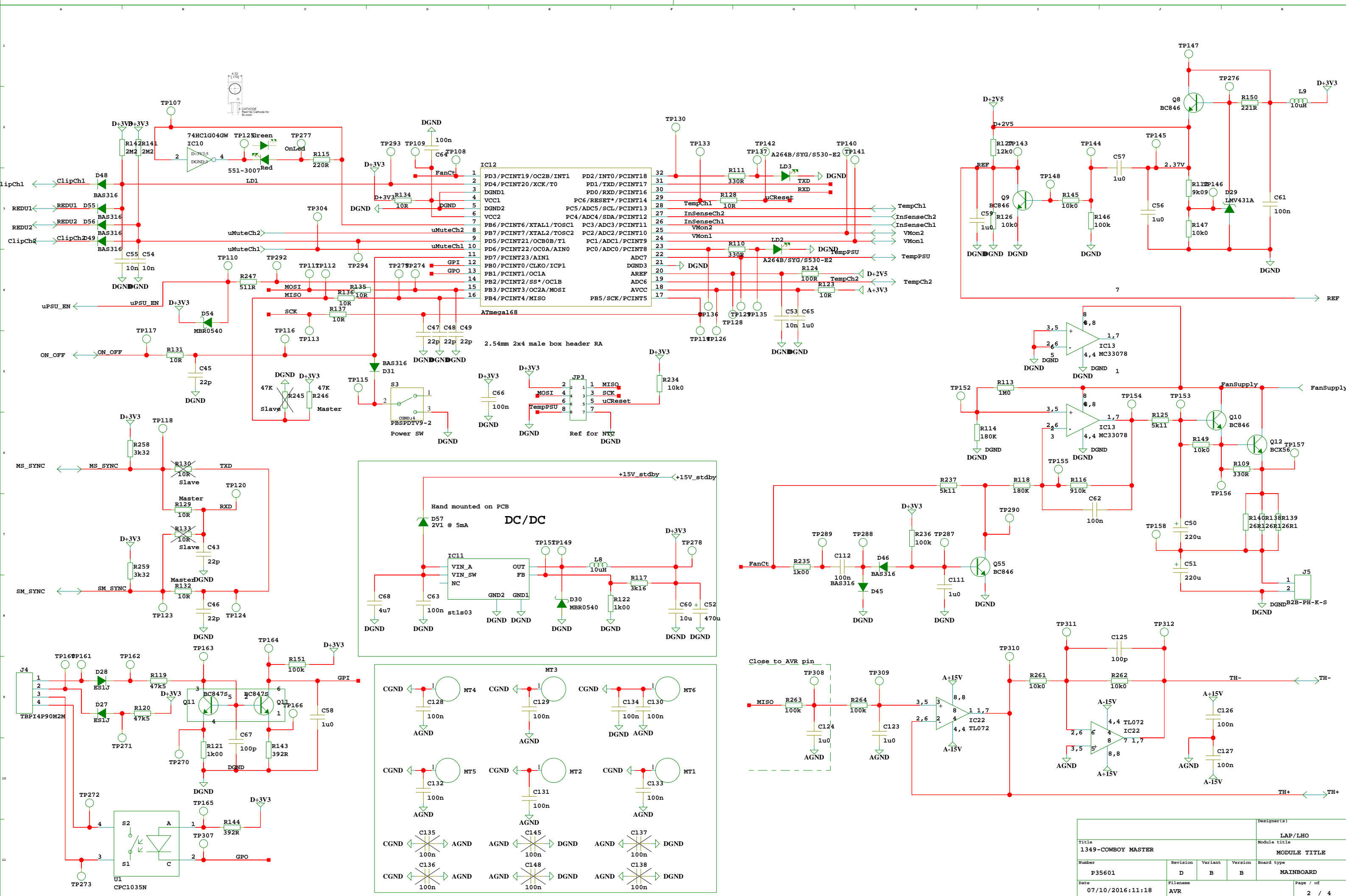
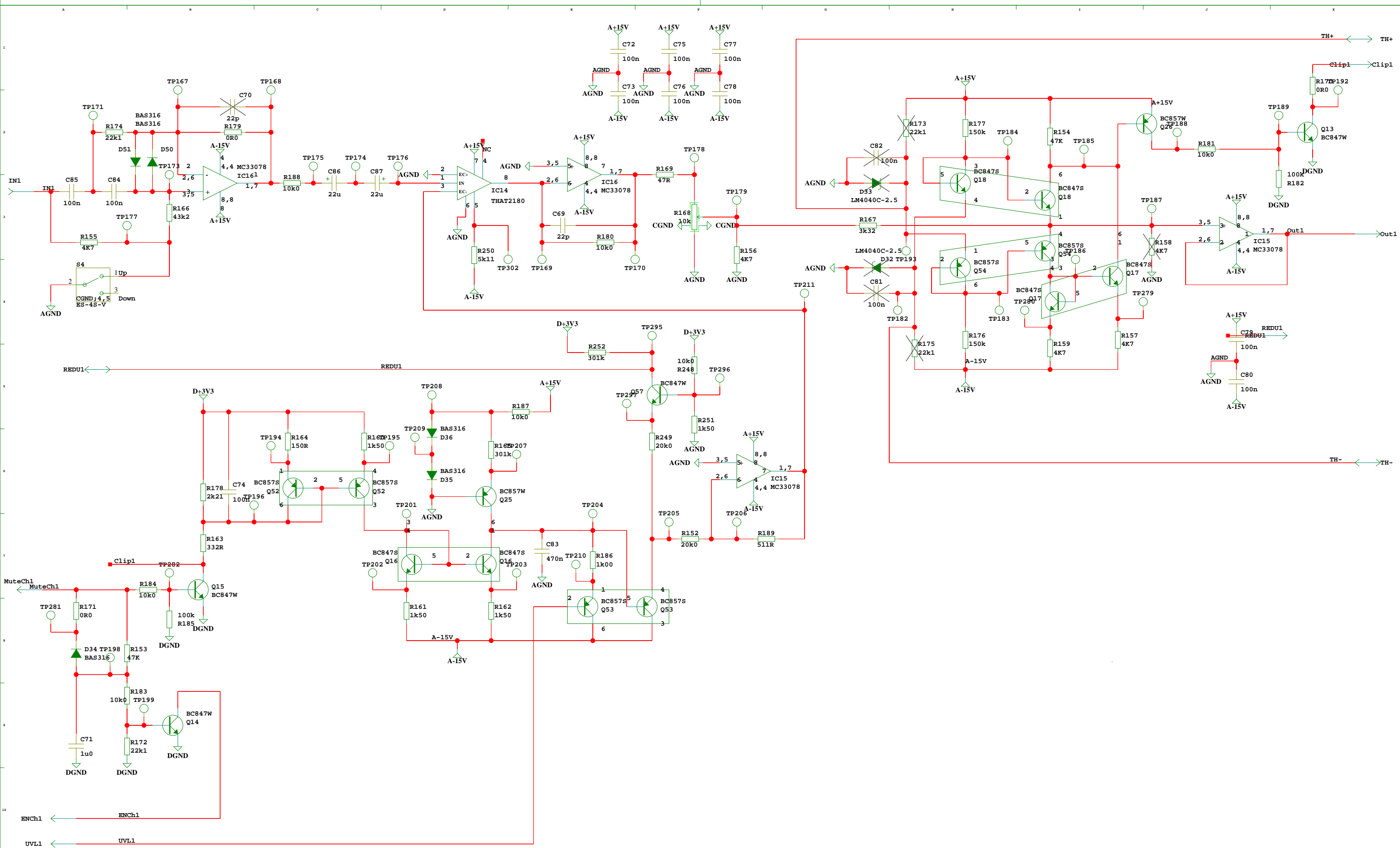


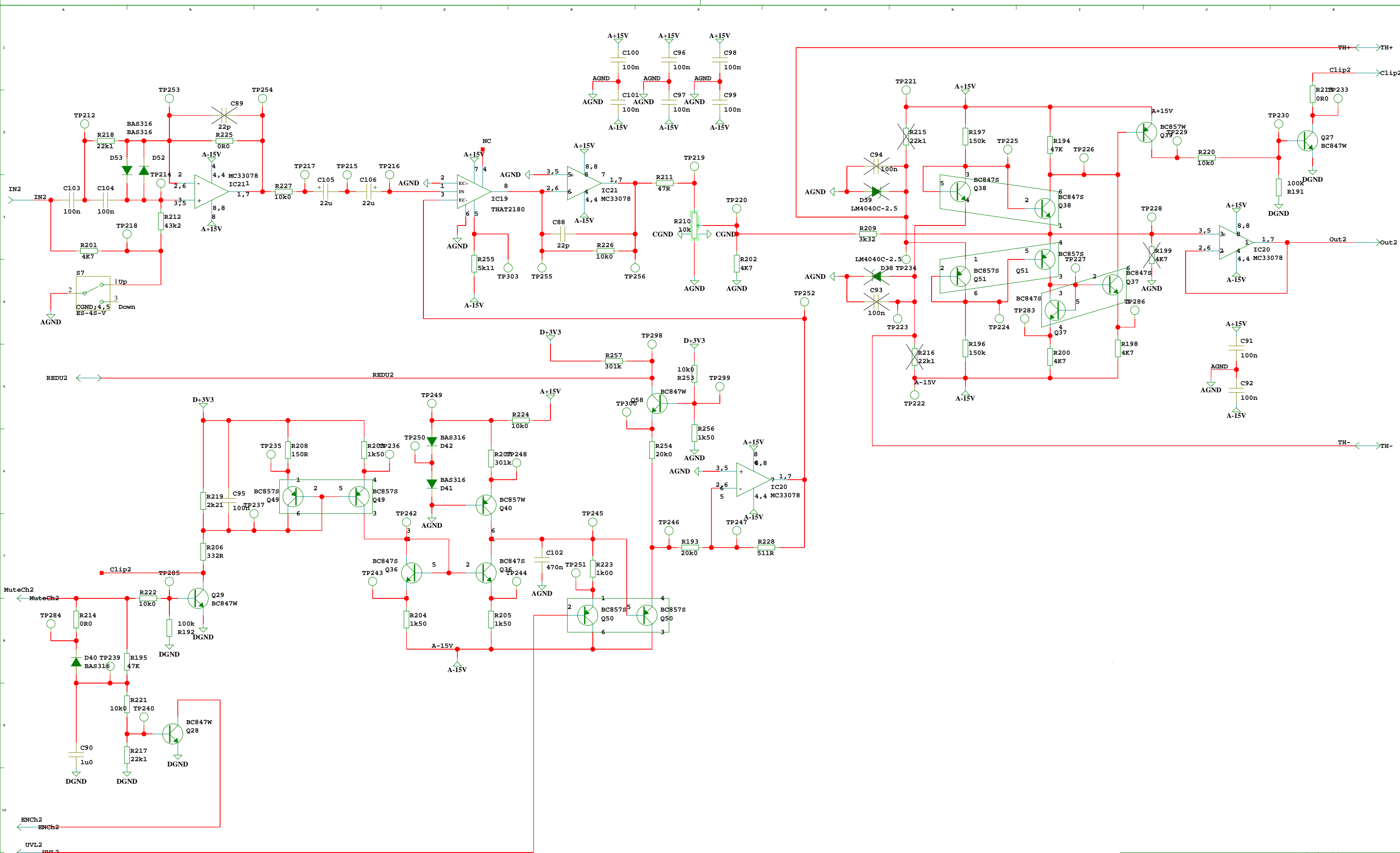
Designer(s)				LAP/LHO
Title				Module title
1349-COWBOY MASTER				MODULE TITLE
Number	Revision	Variant	Version	Board type
P35601	D	B	B	MAINBOARD
Date	Filename			Page / of
07/10/2016:11:19				1 / 4



Designer(s)		LAP/LHO	
Title		Module title	
1349-COWBOY MASTER		MODULE TITLE	
Number	Revision	Variant	Version
P35601	D	B	B
Board type		MAINBOARD	
Date	Filename	Page / of	
07/10/2016:11:18	AVR	2 / 4	



Title				Designer(s)	
1349-COWBOY MASTER				LAP/LHO	
Module title				MODULE TITLE	
Number				Board type	
P35601				MAINBOARD	
Date				Page / of	
07/10/2016:11:19				3 / 4	
Revision		Variant		Version	
D		B		B	
Filename				Page / of	
LIMITER_A				3 / 4	



Title				Designer(s)	
1349-COWBOY MASTER				LAP/LHO	
Module title				MODULE TITLE	
Number	Revision	Variant	Version	Board type	
P35601	D	B	B	MAINBOARD	
Date	Filename			Page / of	
07/10/2016:11:19	LIMITER_B			4 / 4	