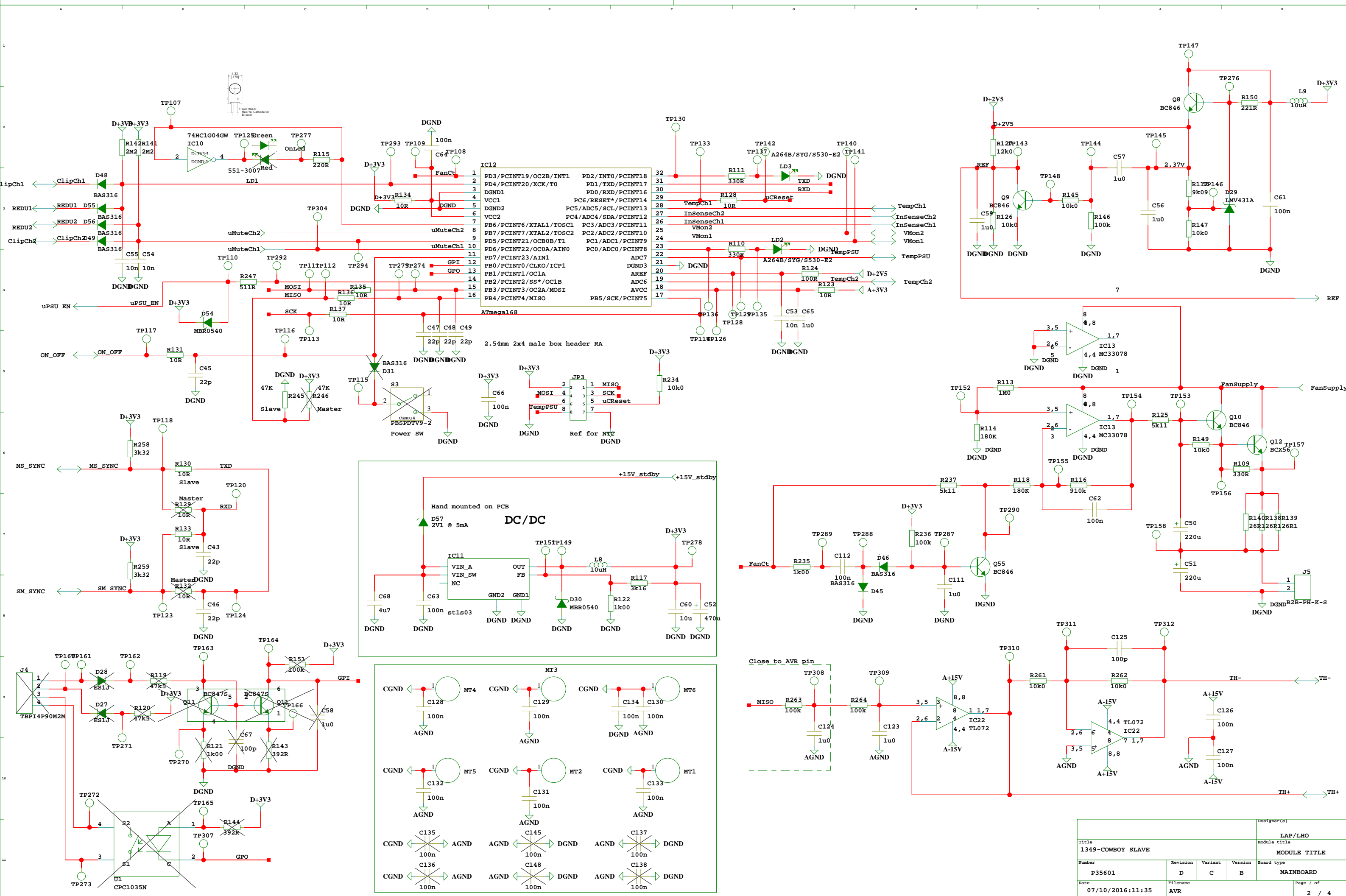
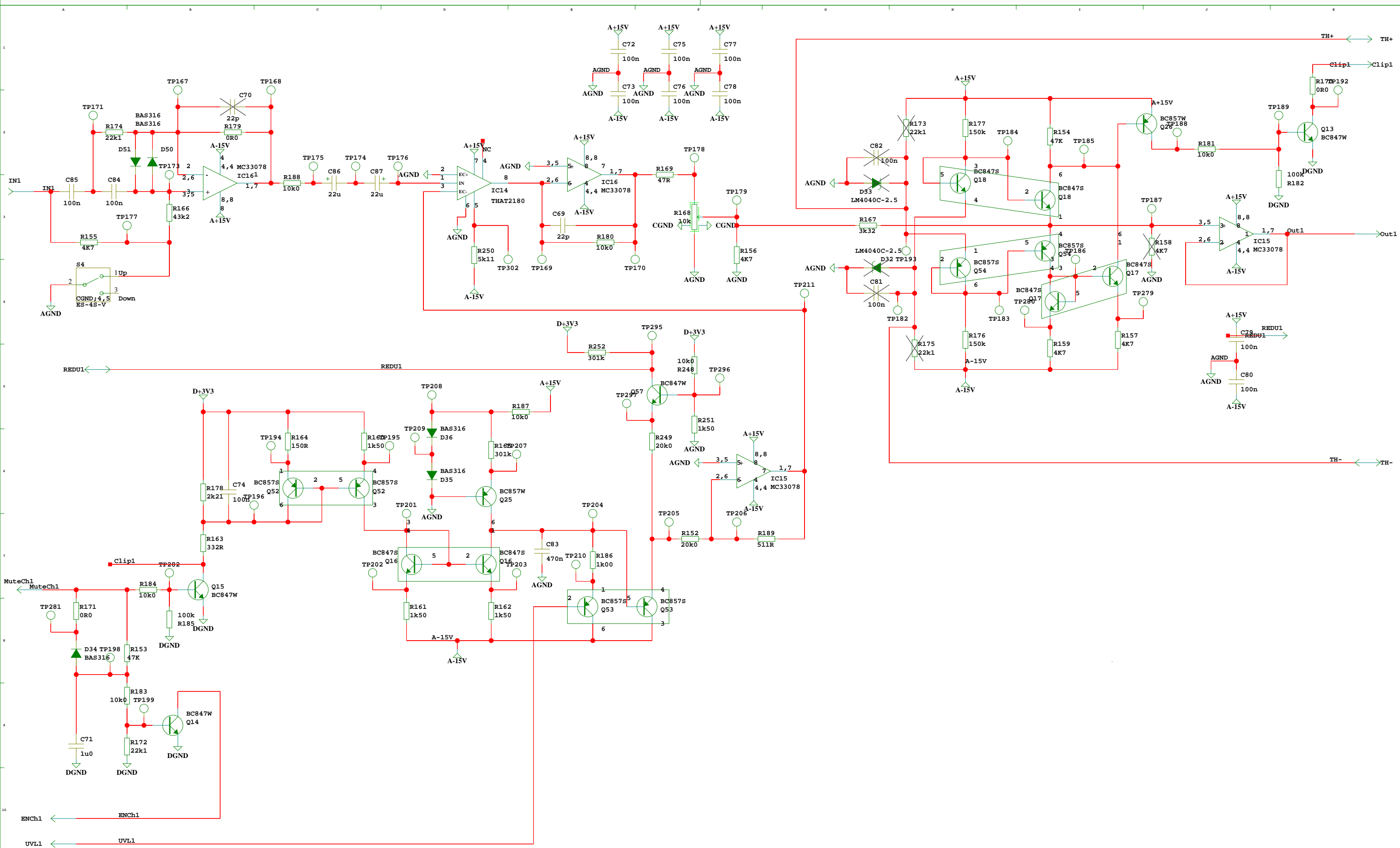


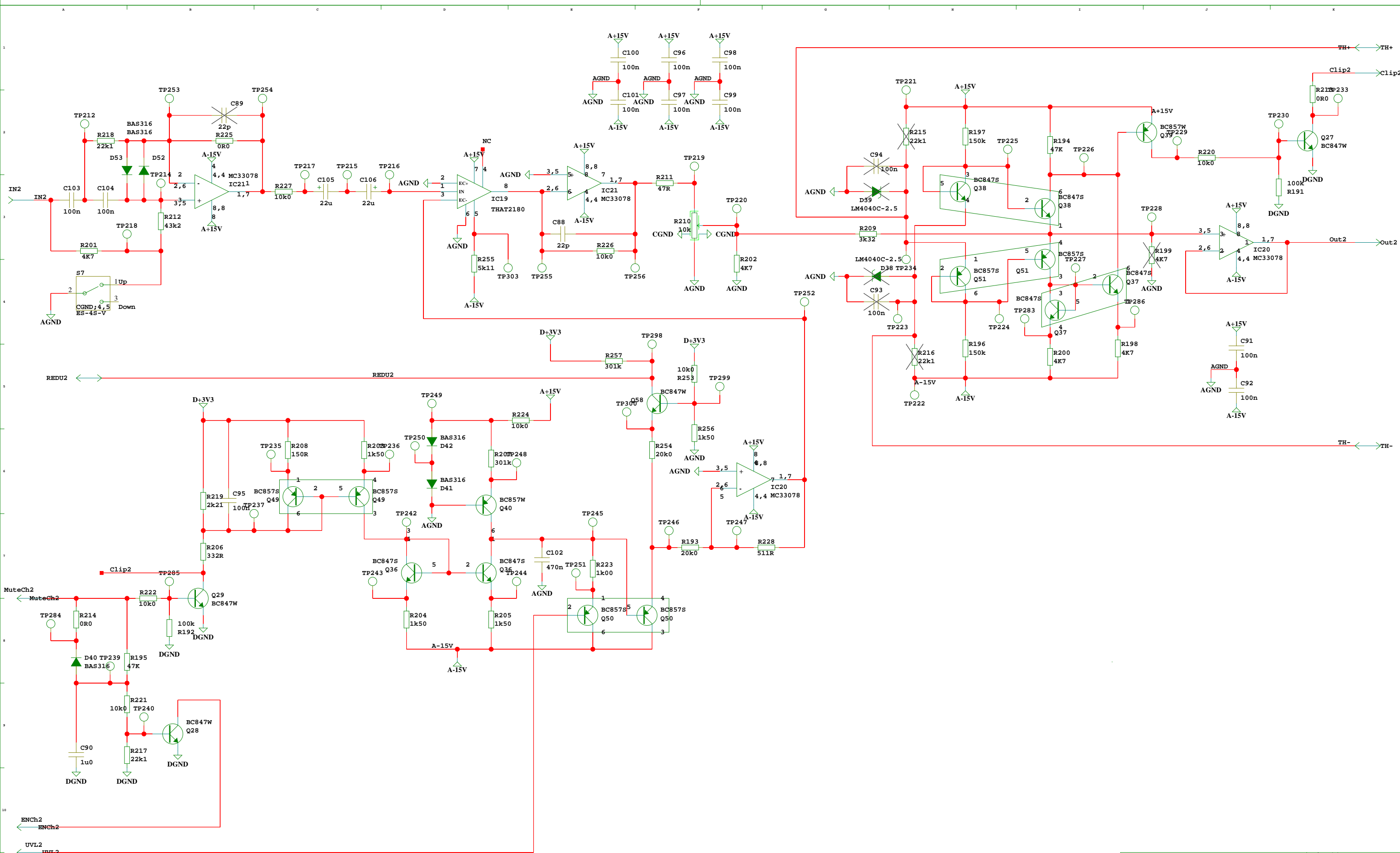
Designer(s)				LAP/LHO
Title				Module title
1349-COWBOY SLAVE				MODULE TITLE
Number	Revision	Variant	Version	Board type
P35601	D	C	B	MAINBOARD
Date	Filename			Page / of
07/10/2016:11:35				1 / 4



Designer(s)				LAP/LHO
Title				Module title
1349-COWBOY SLAVE				MODULE TITLE
Number	Revision	Variant	Version	Board type
P35601	D	C	B	MAINBOARD
Date	Filename			Page / of
07/10/2016:11:35	AVR			2 / 4



Title				Designer(s)	
1349-COWBOY SLAVE				LAP/LHO	
Module title				MODULE TITLE	
Number				Board type	
P35601				MAINBOARD	
Date				Page / of	
07/10/2016:11:35				3 / 4	
Revision		Variant		Version	
D		C		B	
Filename				Page / of	
LIMITER_A				3 / 4	



Title				Designer(s)	
1349-COWBOY SLAVE				LAP/LHO	
Module title				MODULE TITLE	
Number				Revision	
P35601				D C B	
Date				Version	
07/10/2016:11:35				B	
Filename				Board type	
LIMITER_B				MAINBOARD	
Page / of				4 / 4	