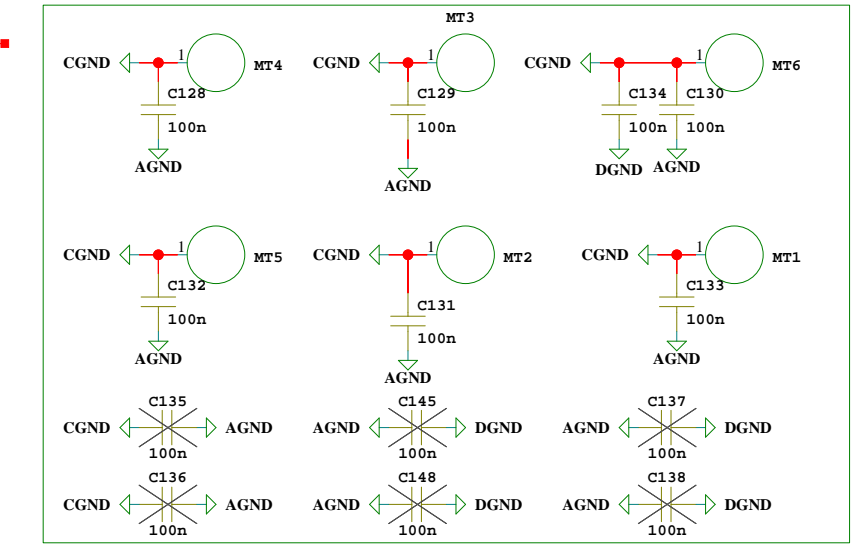
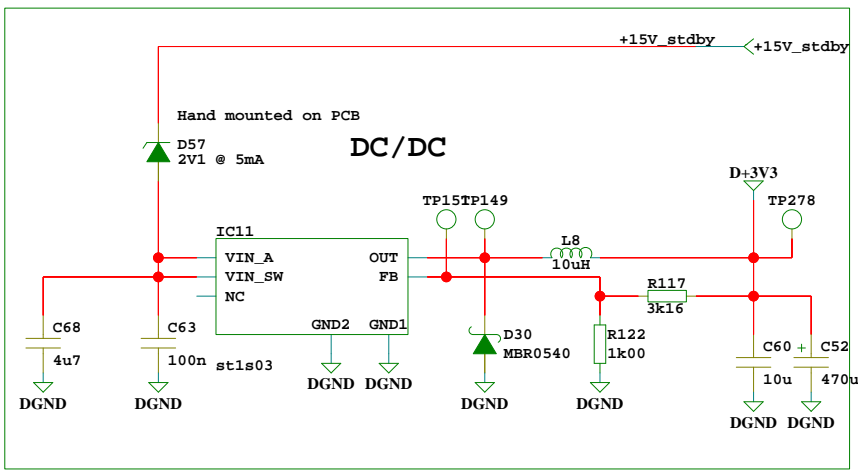
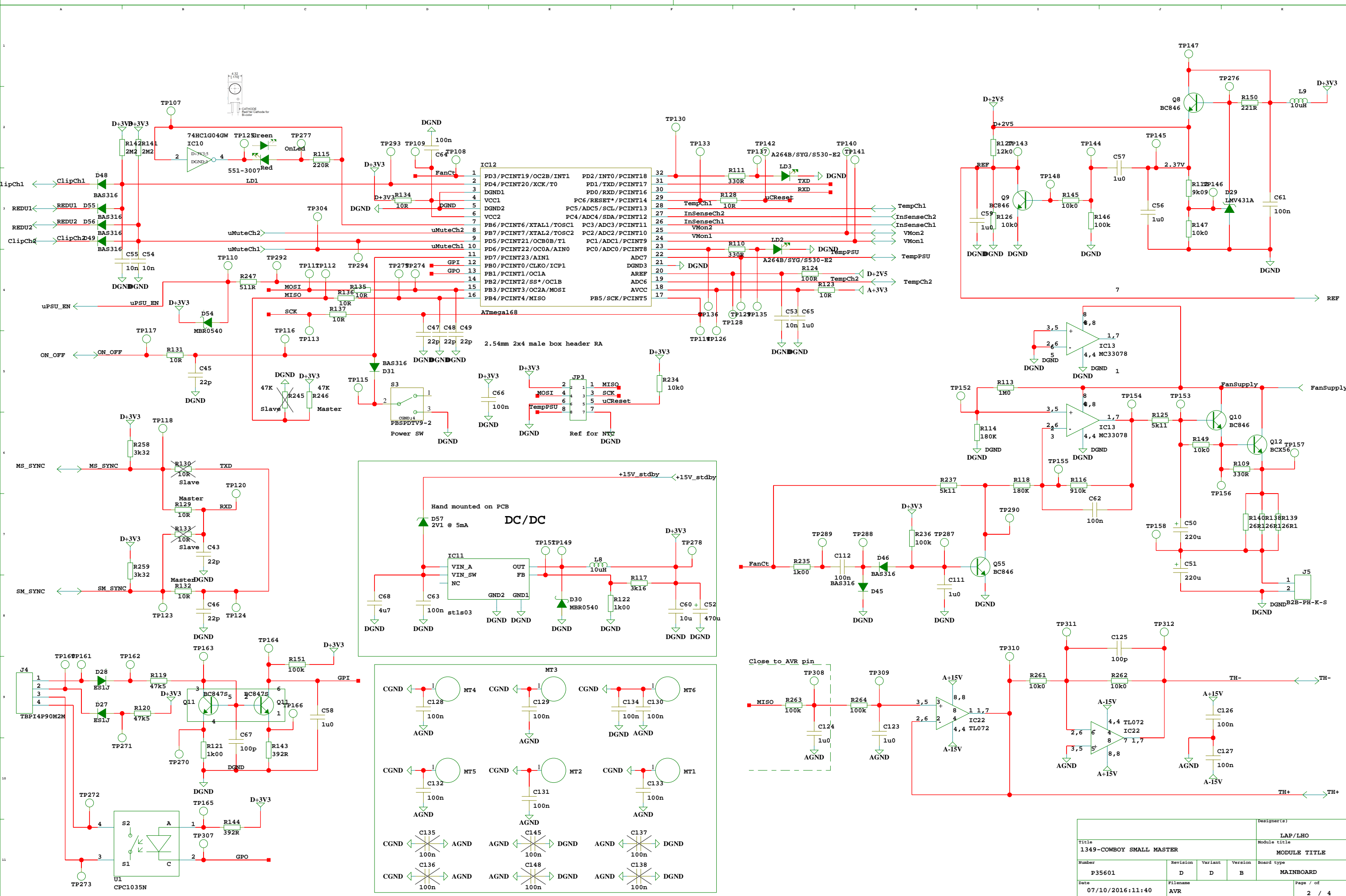
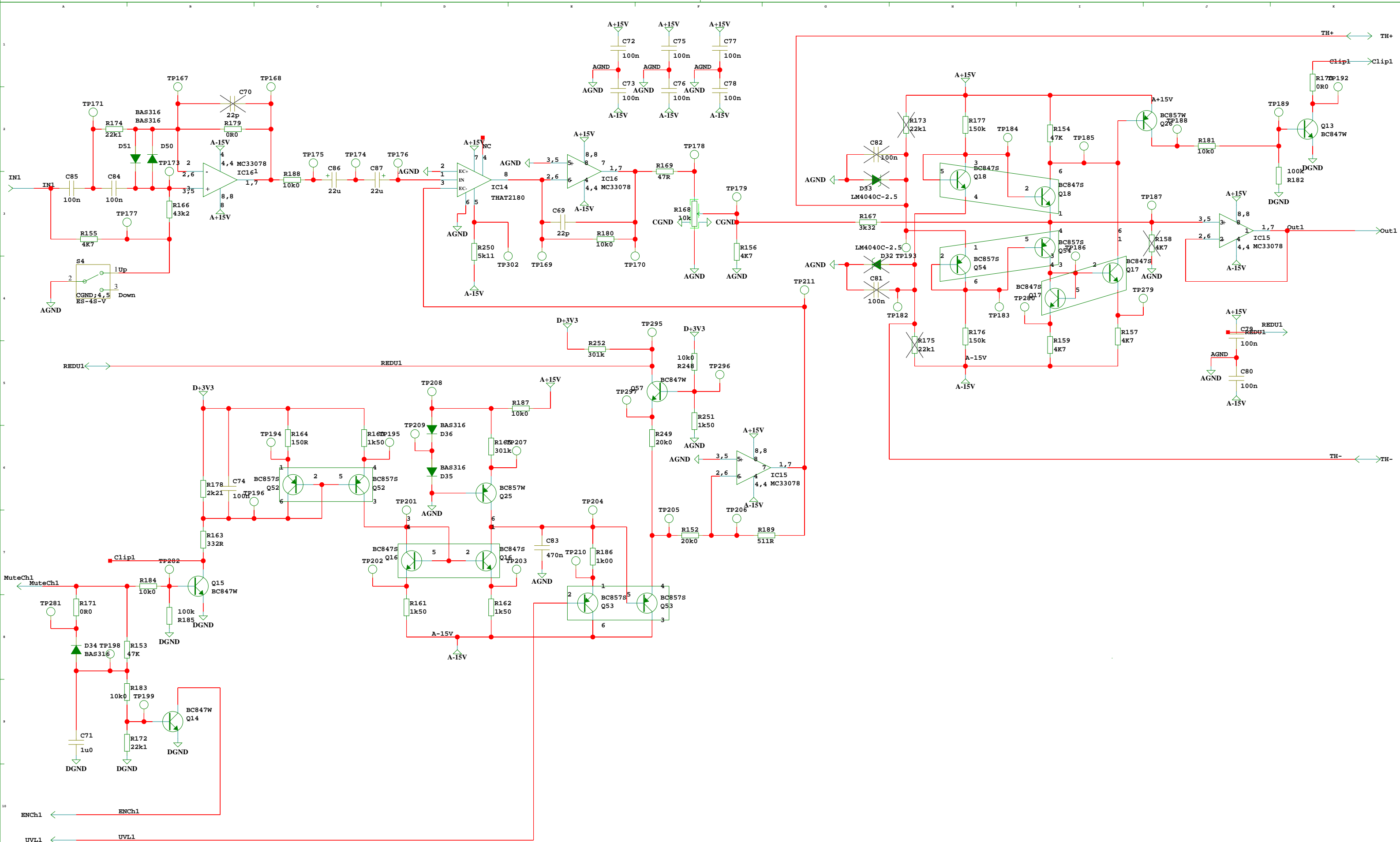


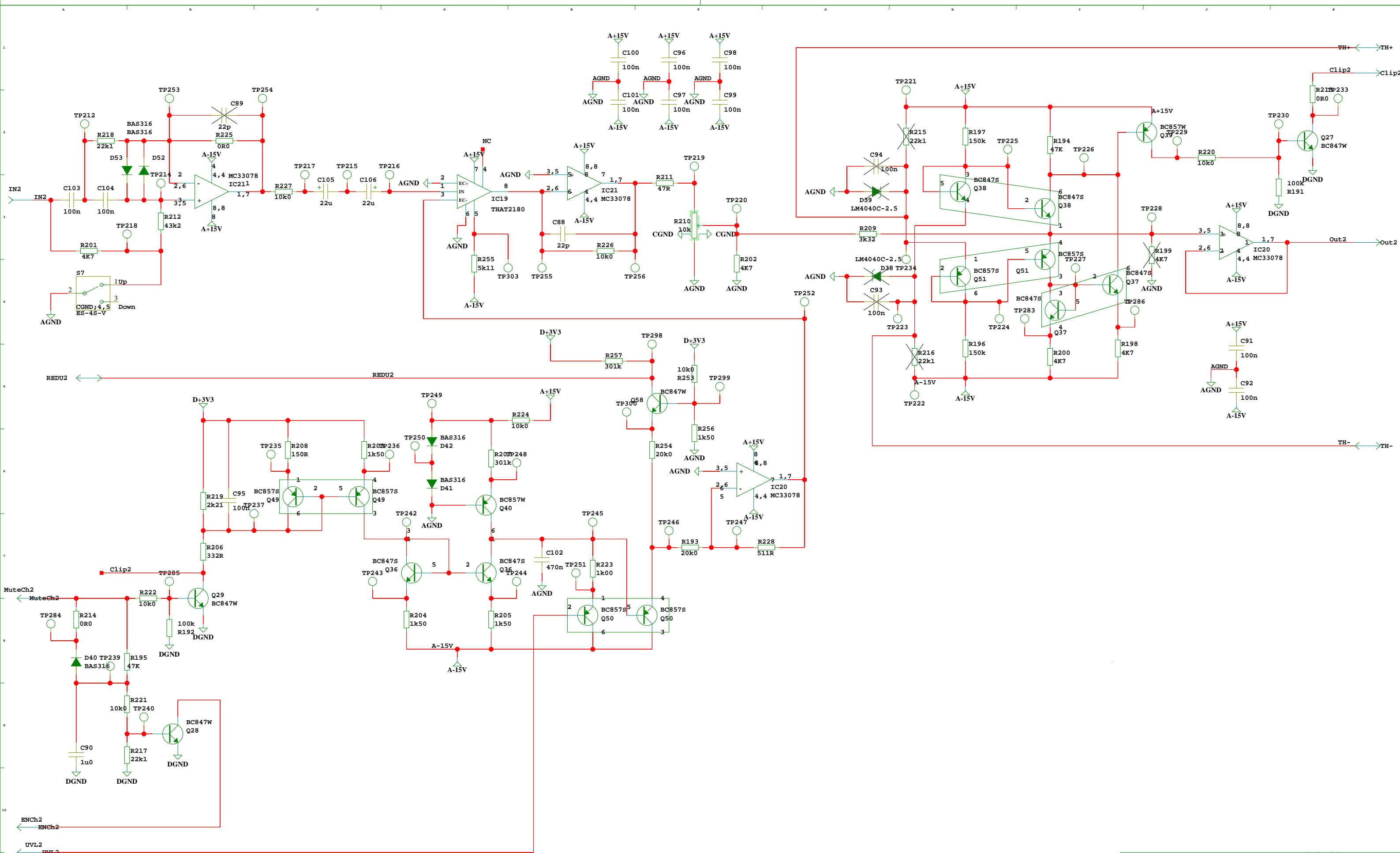
Designer(s)				LAP/LHO
Title				Module title
1349-COWBOY SMALL MASTER				MODULE TITLE
Number	Revision	Variant	Version	Board type
P35601	D	D	B	MAINBOARD
Date	Filename			Page / of
07/10/2016:11:40				1 / 4



Title		Revision		Variant	Version	Designer(s)
1349-COWBOY SMALL MASTER		D	D	D	B	LAP/LHO
Number		Filename		Board type		Module title
P35601		AVR		MAINBOARD		MODULE TITLE
Date	Page / of					
07/10/2016:11:40	2 / 4					



Title				Designer(s)	
1349-COWBOY SMALL MASTER				LAP/LHO	
Module title				MODULE TITLE	
Number				Board type	
P35601				MAINBOARD	
Date				Page / of	
07/10/2016:11:40				3 / 4	
Revision		Variant		Version	
D		D		B	
Filename				Page / of	
LIMITER_A				3 / 4	



Designer(s)				LAP/LHO	
Title				Module title	
1349-COWBOY SMALL MASTER				MODULE TITLE	
Number		Revision	Variant	Version	Board type
P35601		D	D	B	MAINBOARD
Date		Filename		Page / of	
07/10/2016:11:40		LIMITER_B		4 / 4	