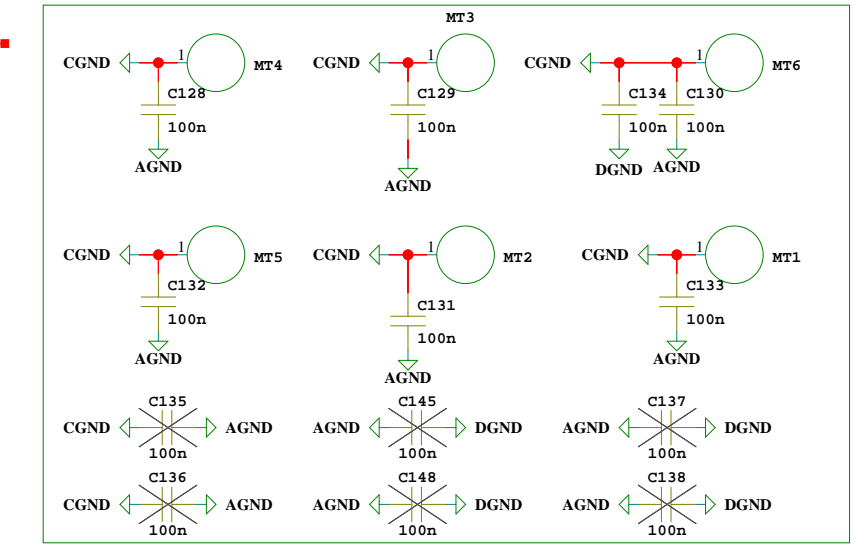
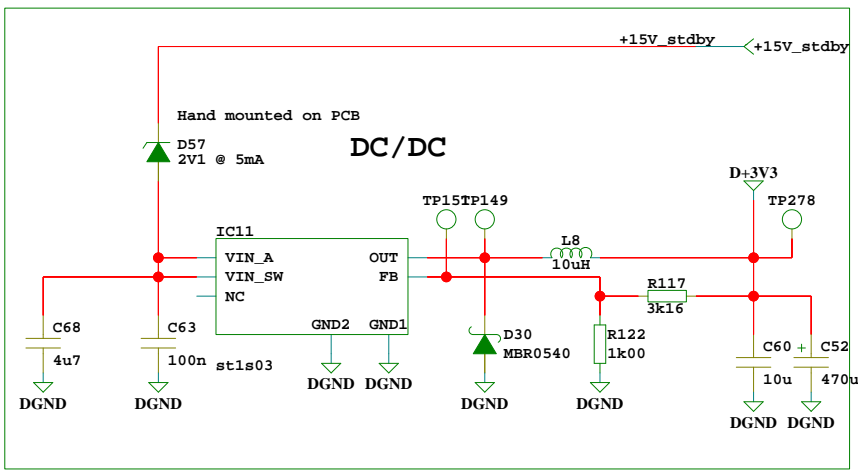
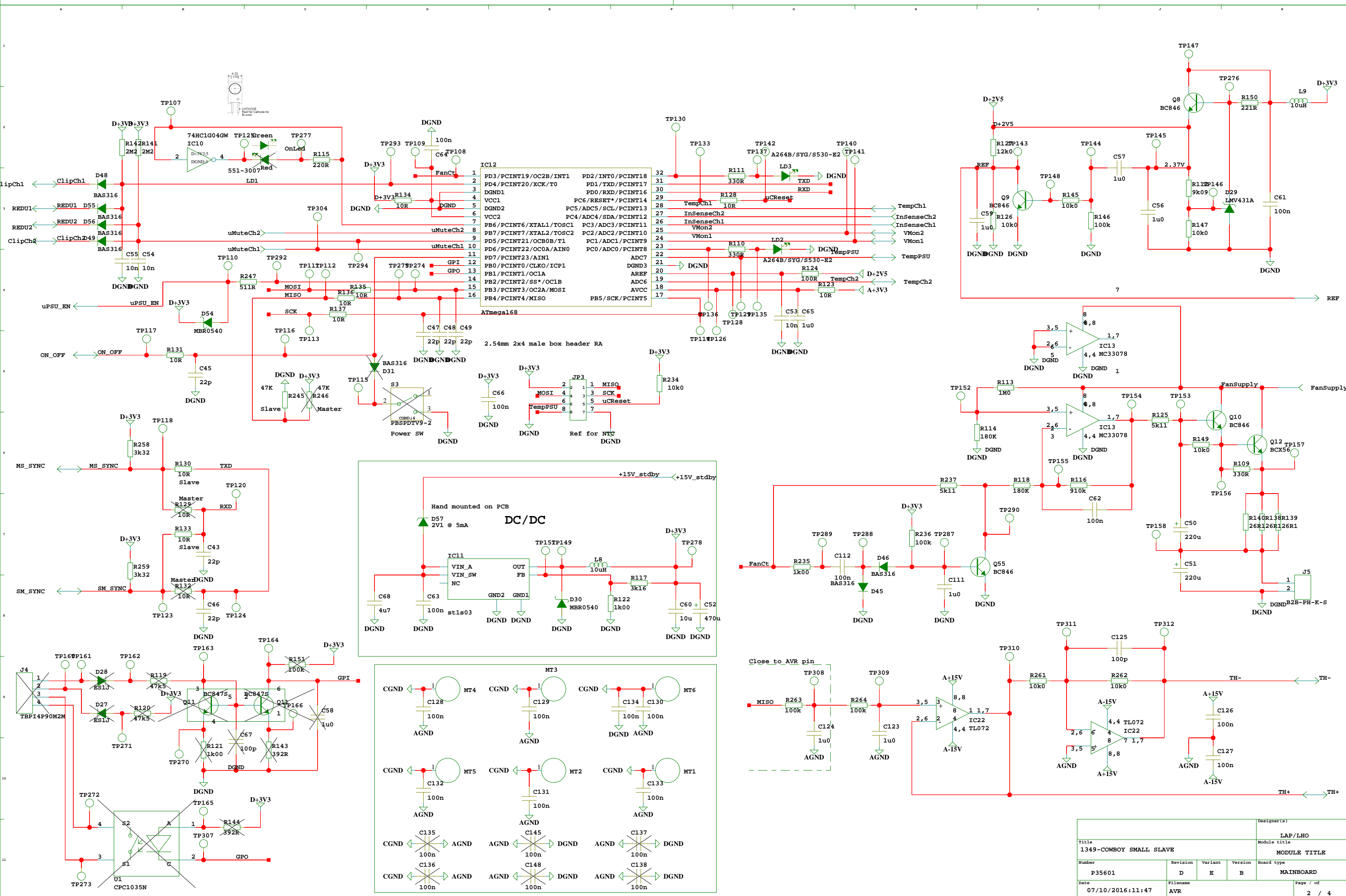
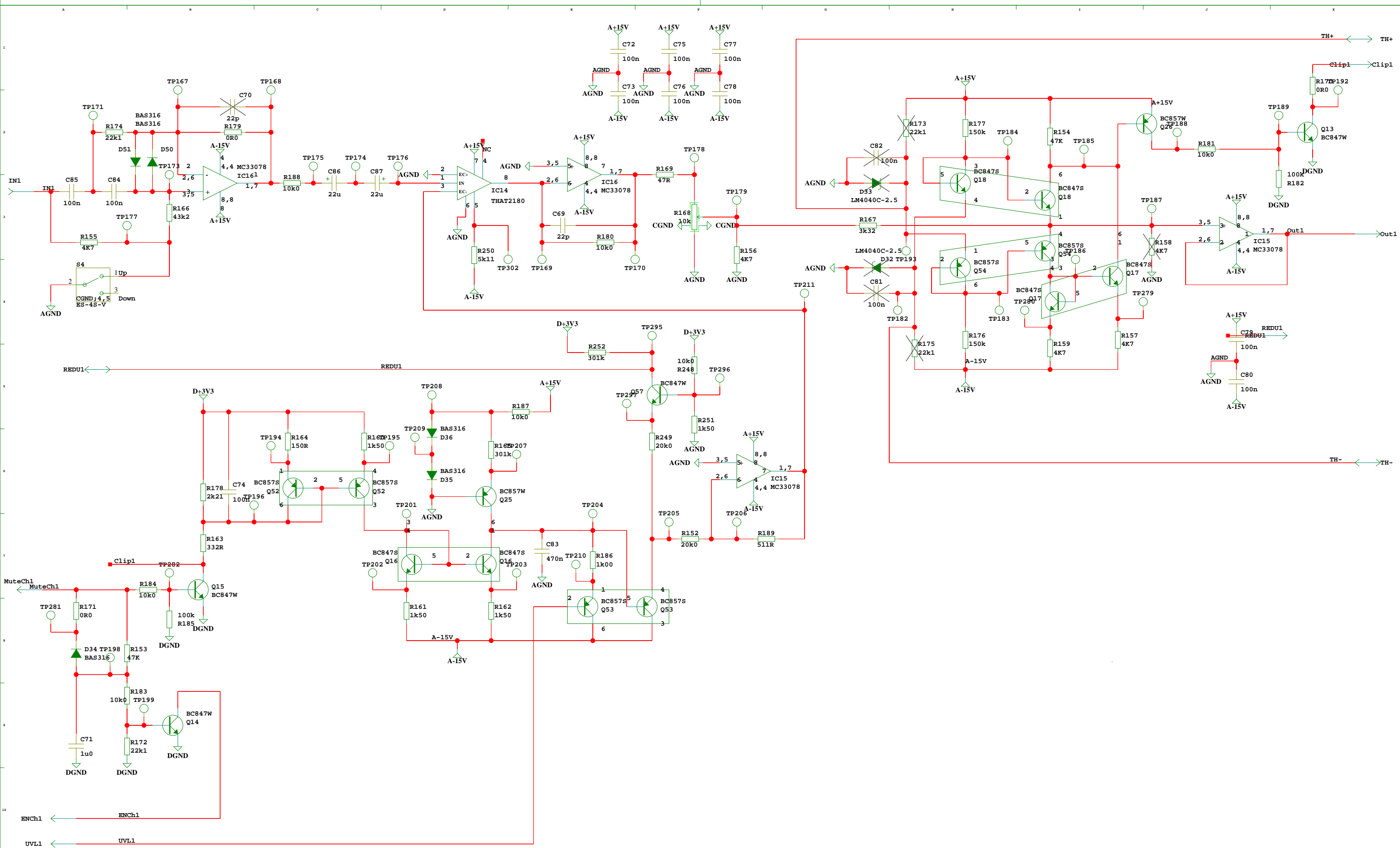


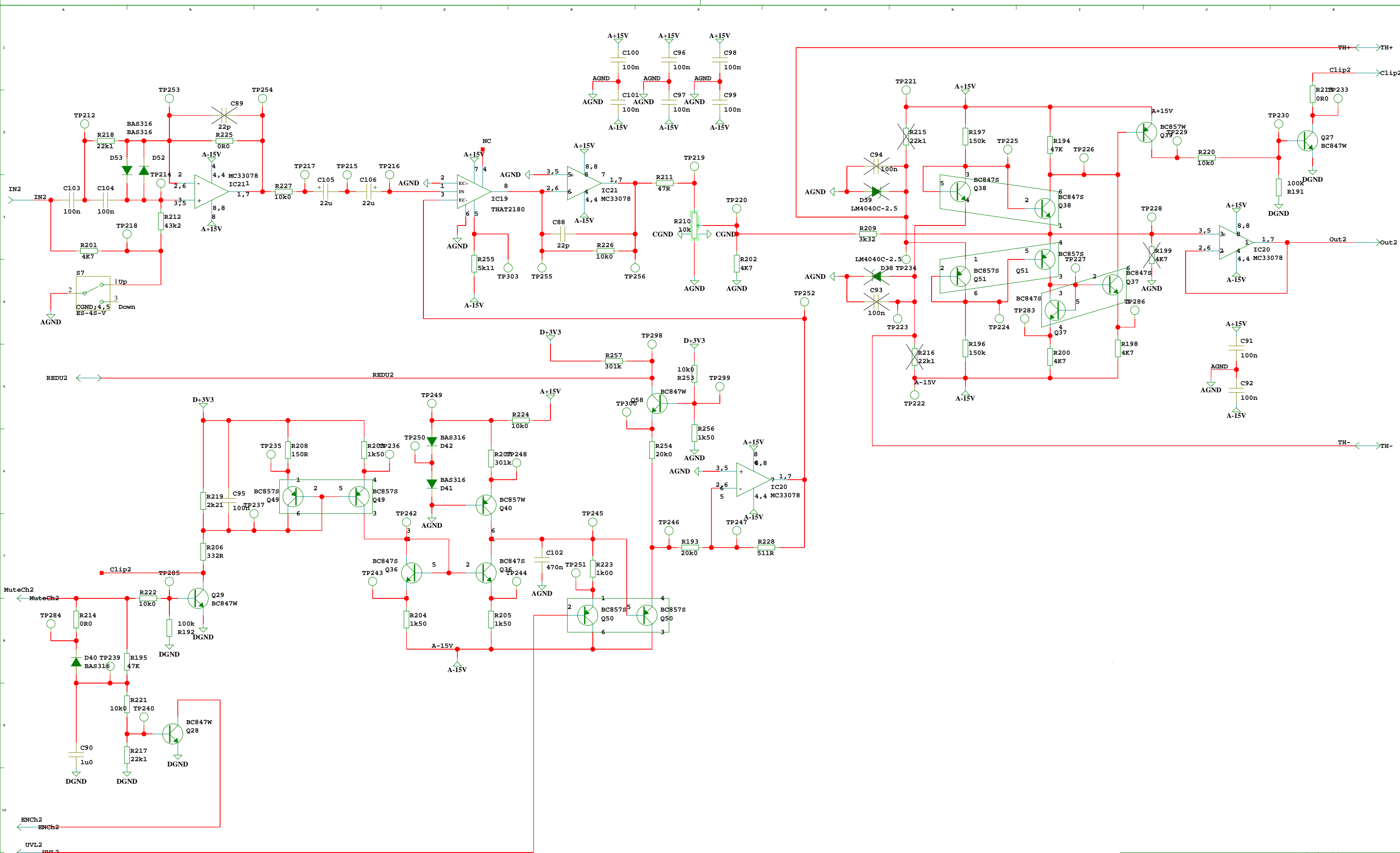
Designer(s)				LAP/LHO
Title				Module title
1349-COWBOY SMALL SLAVE				MODULE TITLE
Number	Revision	Variant	Version	Board type
P35601	D	E	B	MAINBOARD
Date	Filename			Page / of
07/10/2016:11:48				1 / 4



Title		Revision		Variant	Version	Designer(s)
1349-COWBOY SMALL SLAVE		D	E	B		LAP/LHO
Number		File name		Board type		Module title
P35601		AVR		MAINBOARD		MODULE TITLE
Date	07/10/2016:11:47	Page / of		2 / 4		



Title				Designer(s)	
1349-COWBOY SMALL SLAVE				LAP/LHO	
Module title				MODULE TITLE	
Number				Board type	
P35601				MAINBOARD	
Date				Page / of	
07/10/2016:11:48				3 / 4	
Revision		Variant		Version	
D		E		B	
Filename				Page / of	
LIMITER_A				3 / 4	



Title				Designer(s)	
1349-COWBOY SMALL SLAVE				LAP/LHO	
Module title				MODULE TITLE	
Number				Revision	
P35601				D E B	
Date				Board type	
07/10/2016:11:47				MAINBOARD	
Filename				Page / of	
LIMITER_B				4 / 4	