

REPLACES	REPLACED BY
AIC04	AIC04

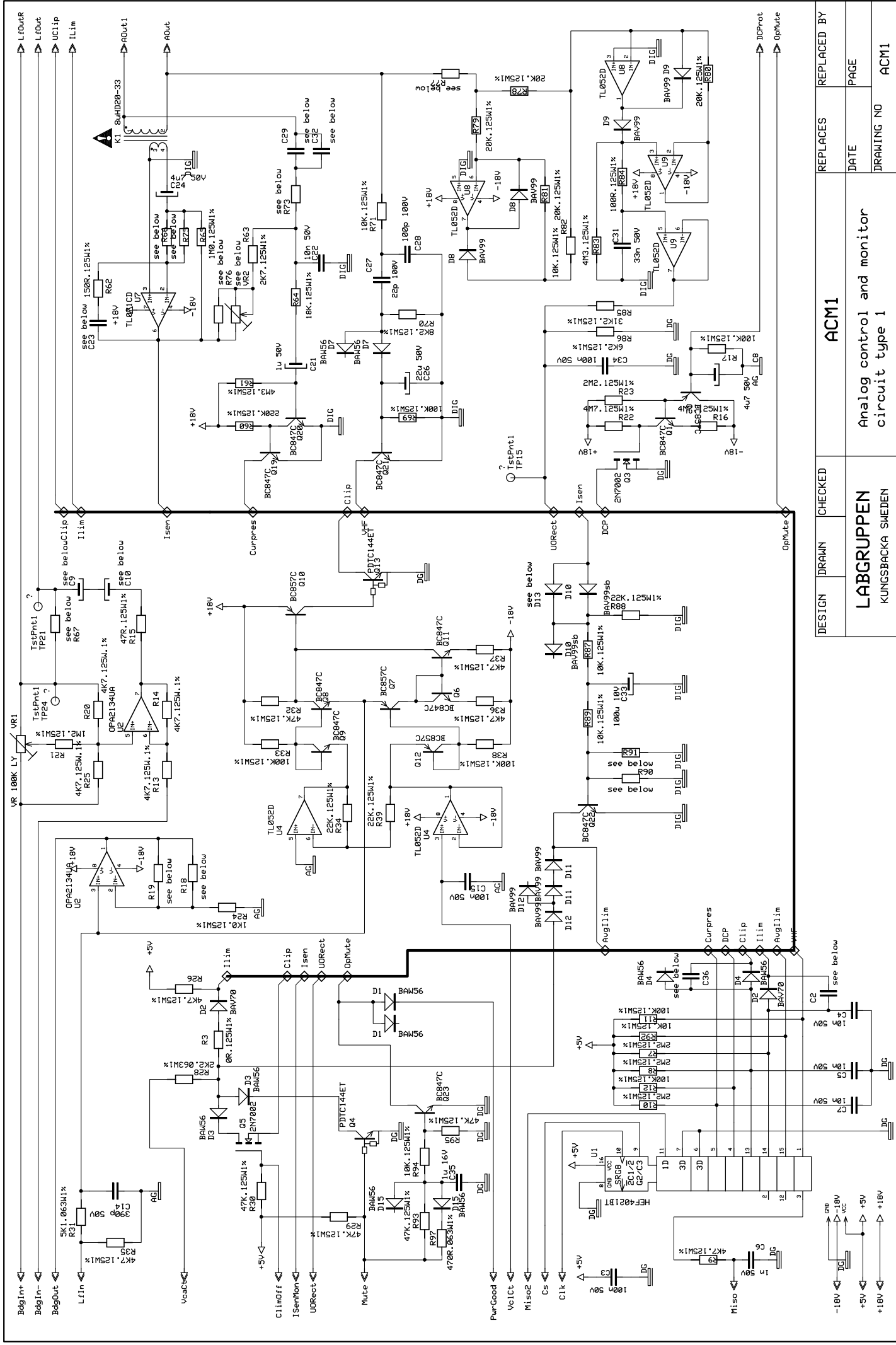
DESIGN KA
 LABGRUPPEN
 KUNGSBACKA SWEDEN

DATE 130222
 DRAWING NO AIC0413C

Analogue Input, Control and Output
 4 channels

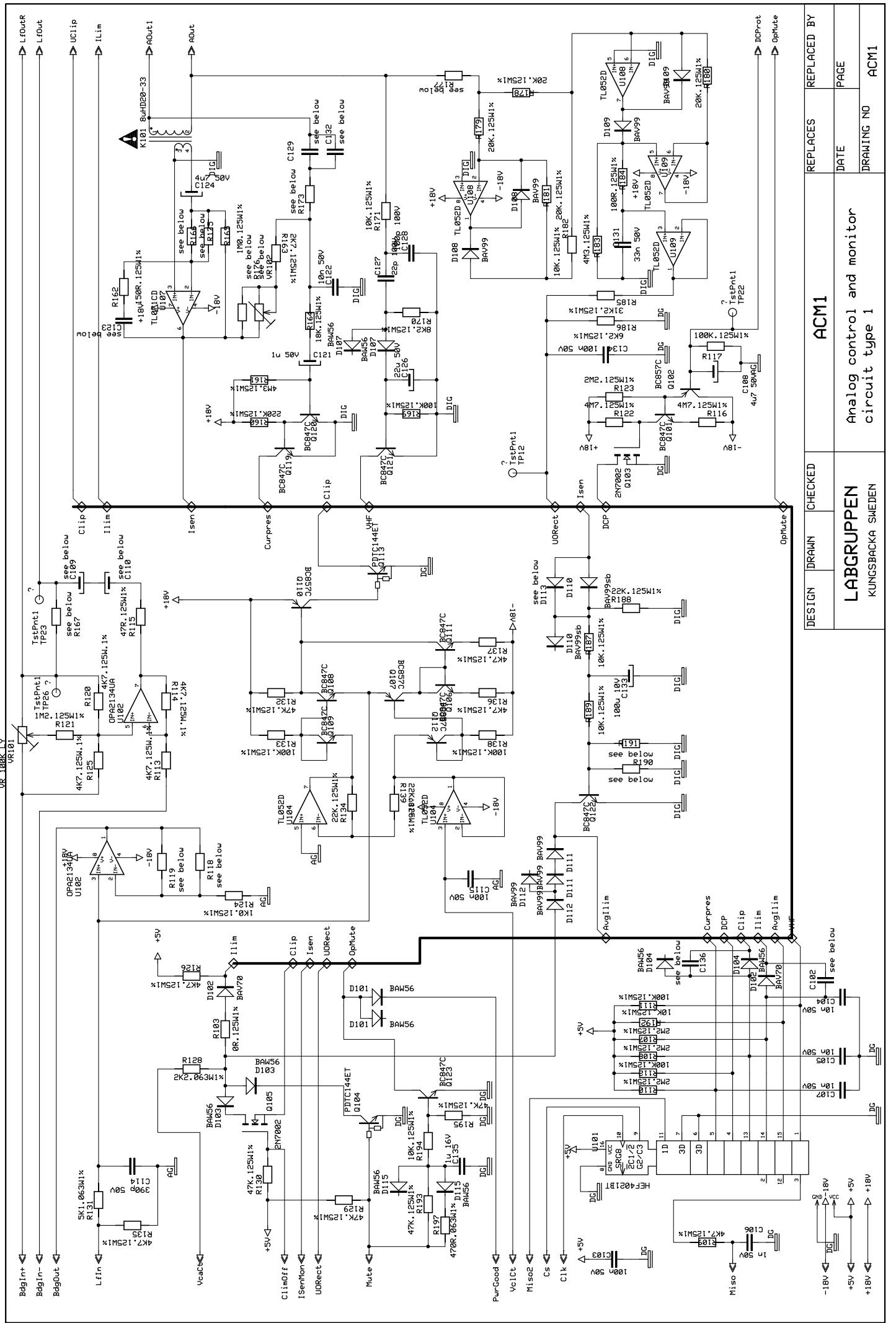
Ext Board

Network in
 Network out



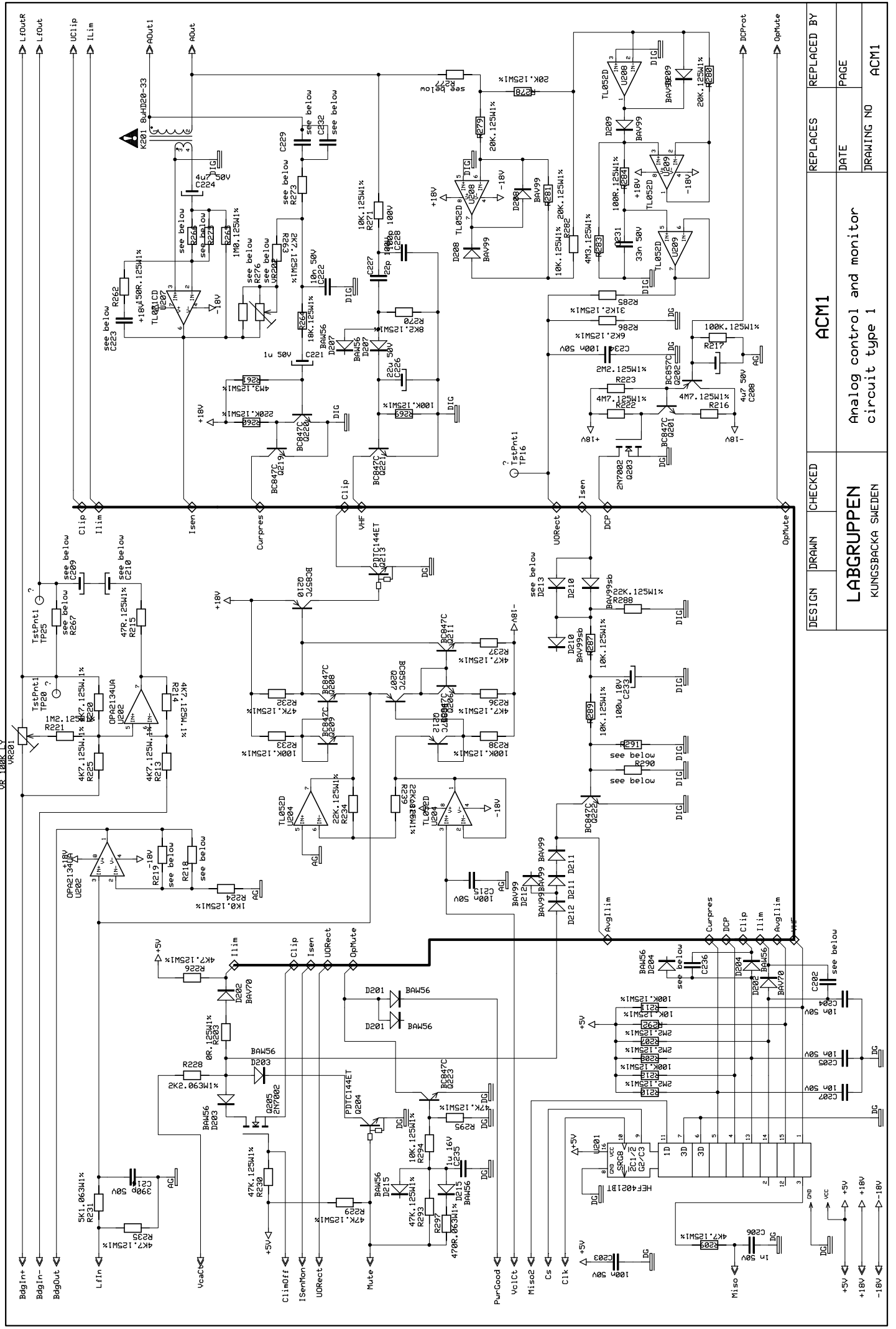
DESIGN	DRAWN	CHECKED	ACM1	REPLACES	REPLACED BY
LABGRUPPEN			ACM1	DATE	PAGE
KUNGSBACKA SWEDEN			ACM1	DRAWING NO	ACM1

Analog control and monitor
 circuit type 1



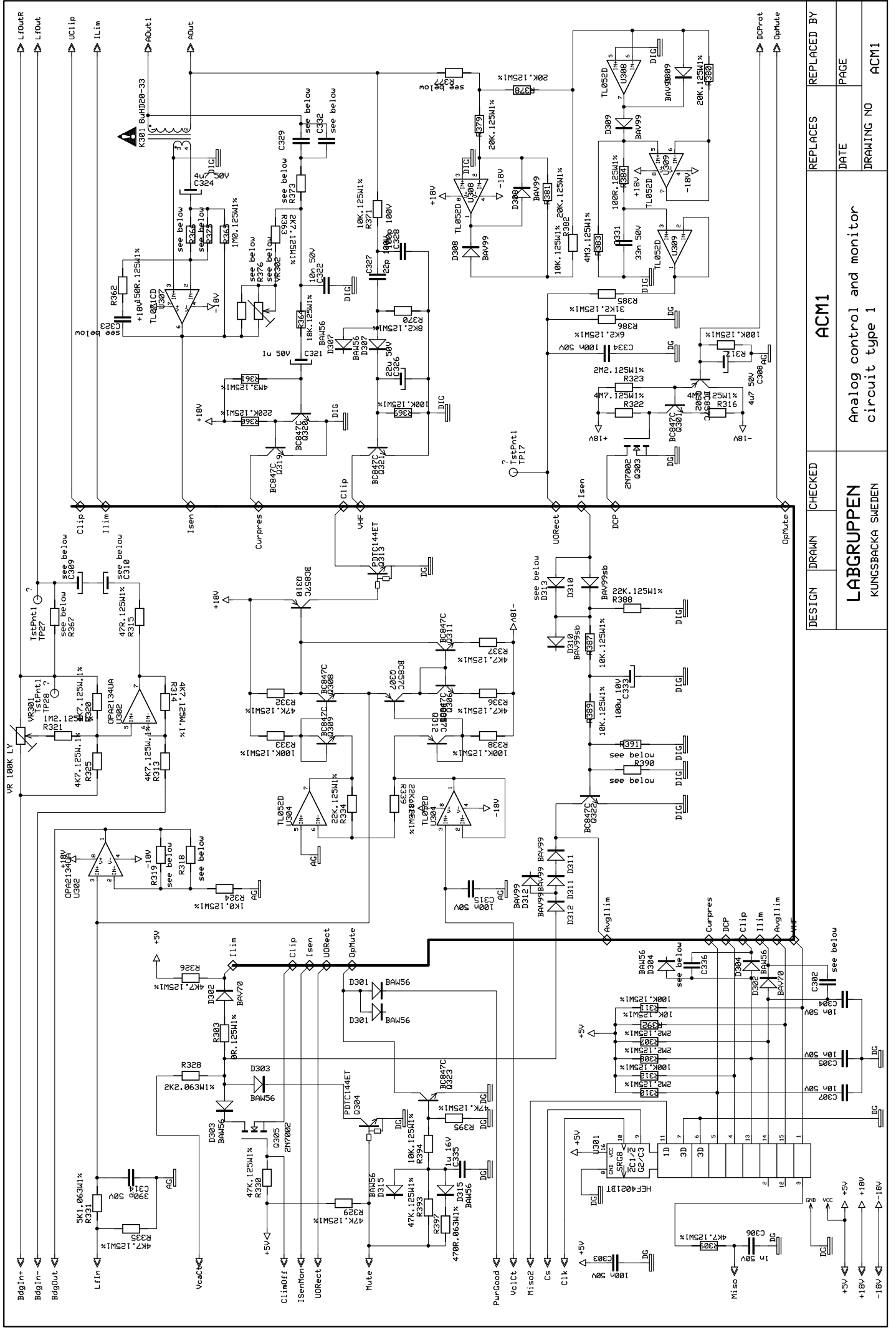
DESIGN	DRAWN	CHECKED	REPLACES	REPLACED BY
LABGRUPPEN			ACM1	
KUNGSBACKA SWEDEN			DATE	PAGE
			DRAWING NO	ACM1

Analog control and monitor
circuit type 1



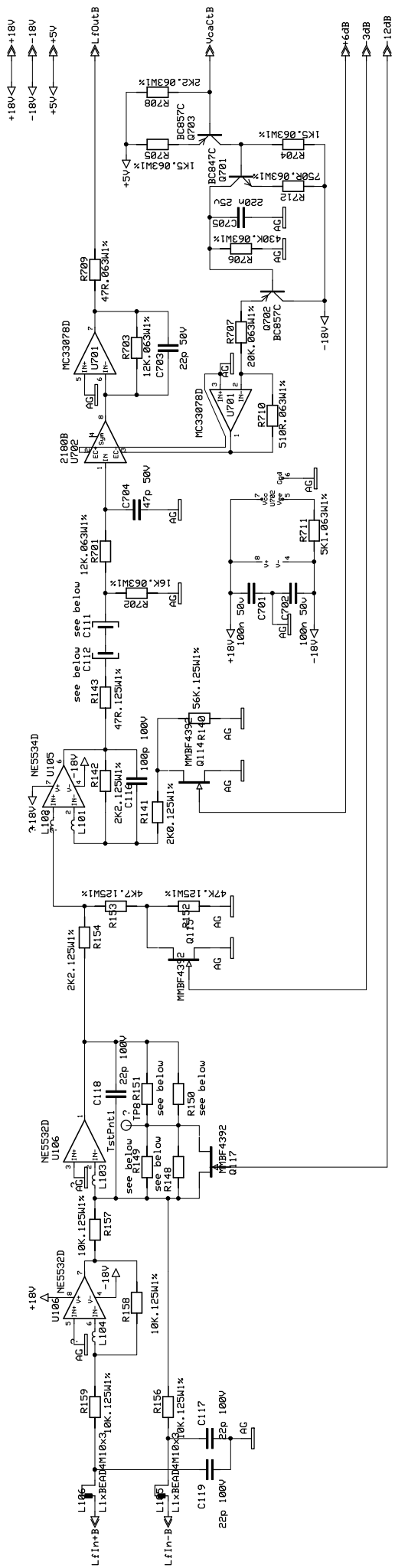
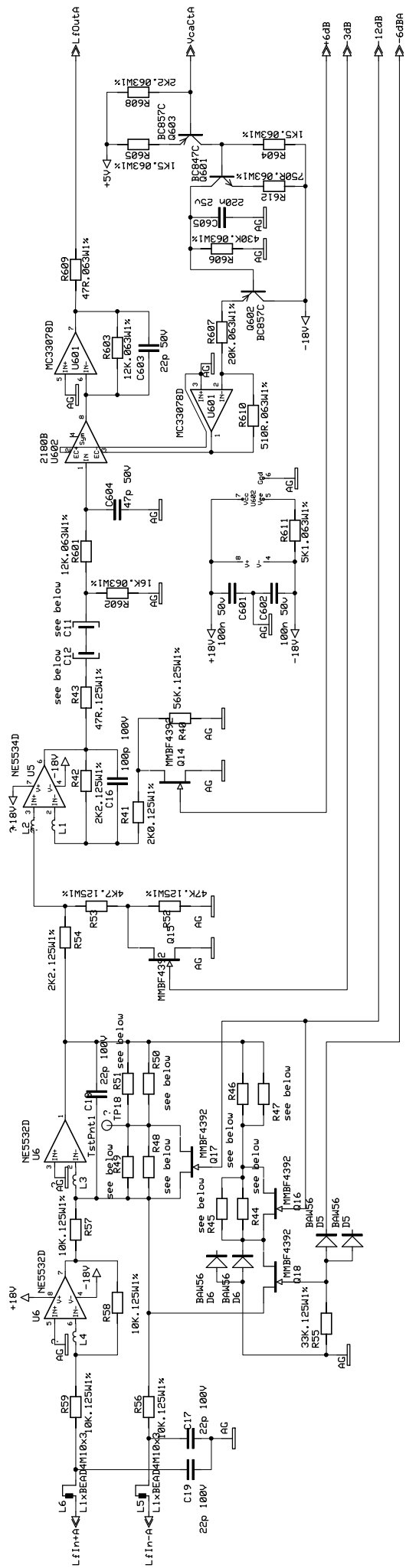
DESIGN	DRAWN	CHECKED	REPLACES	REPLACED BY
			ACM1	
LABGRUPPEN			DATE	PAGE
KUNGSBACKA SWEDEN			DRAWING NO	ACM1

Analog control and monitor
circuit type 1

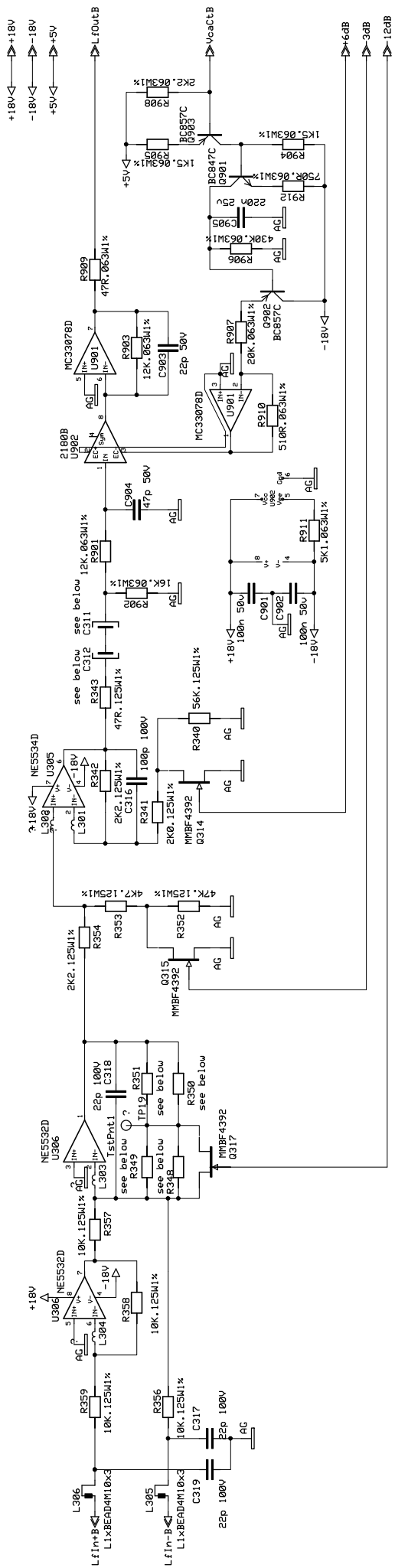
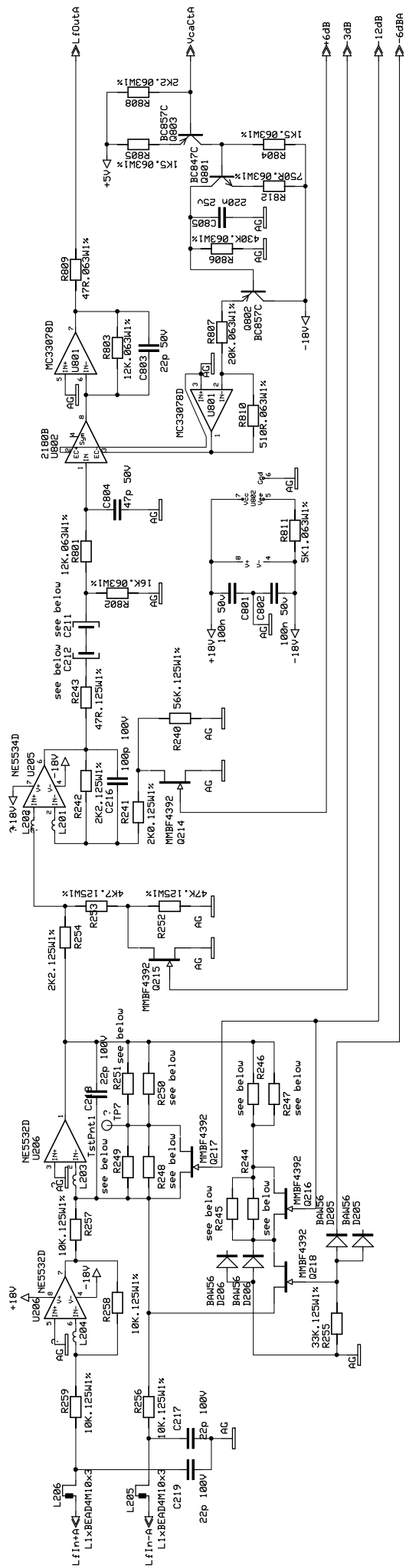


DESIGN	DRAWN	CHECKED	REPLACES	REPLACED BY
			ACM1	
LABGRUPPEN			DATE	PAGE
KUNGSBACKA SWEDEN			DRAWING NO	ACM1

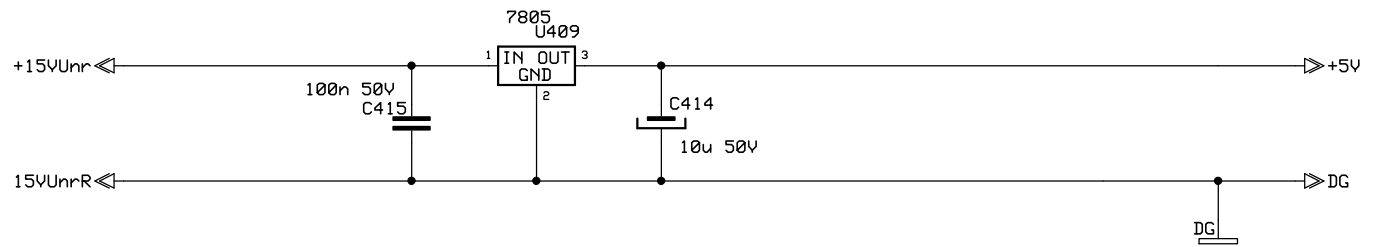
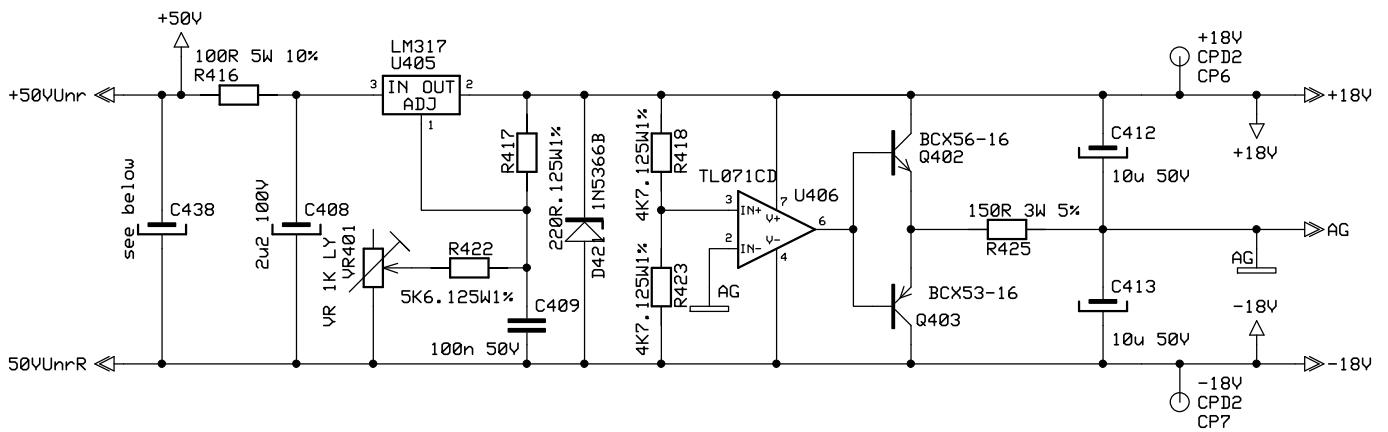
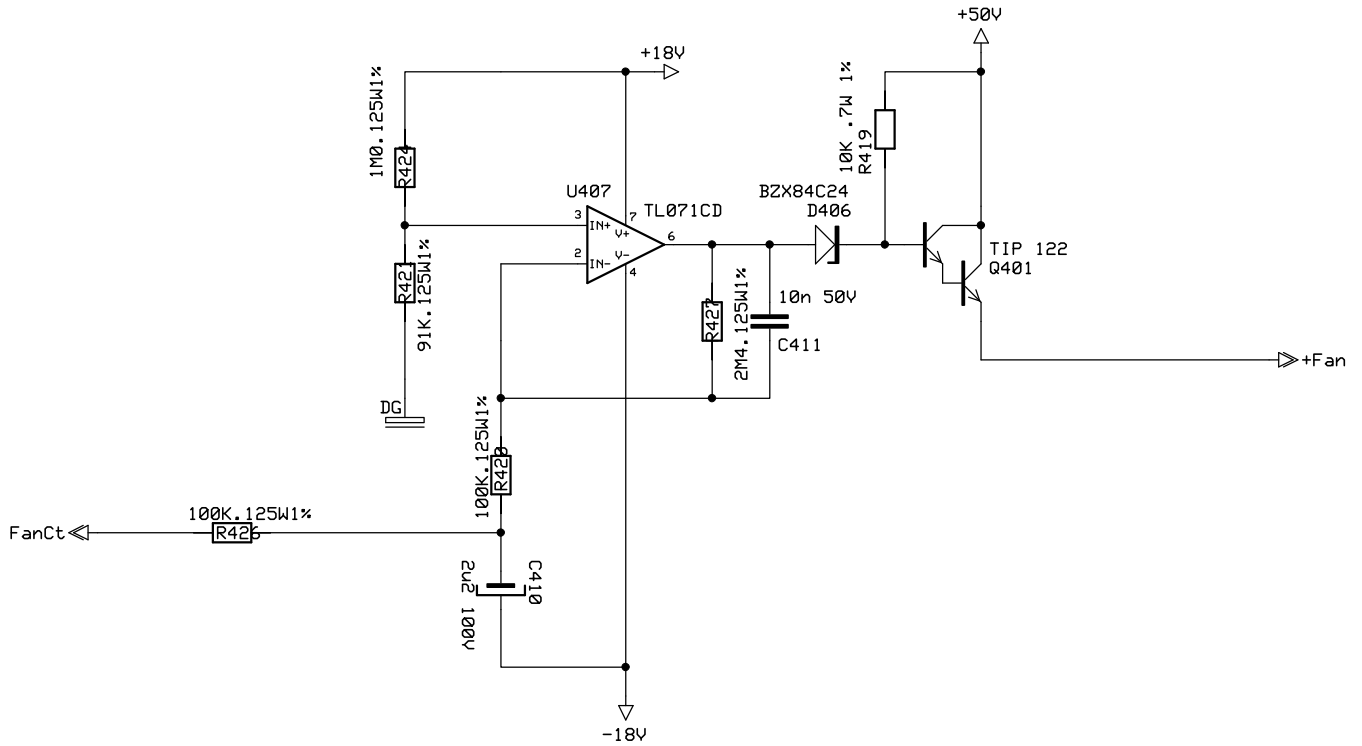
Analog control and monitor
 circuit type 1



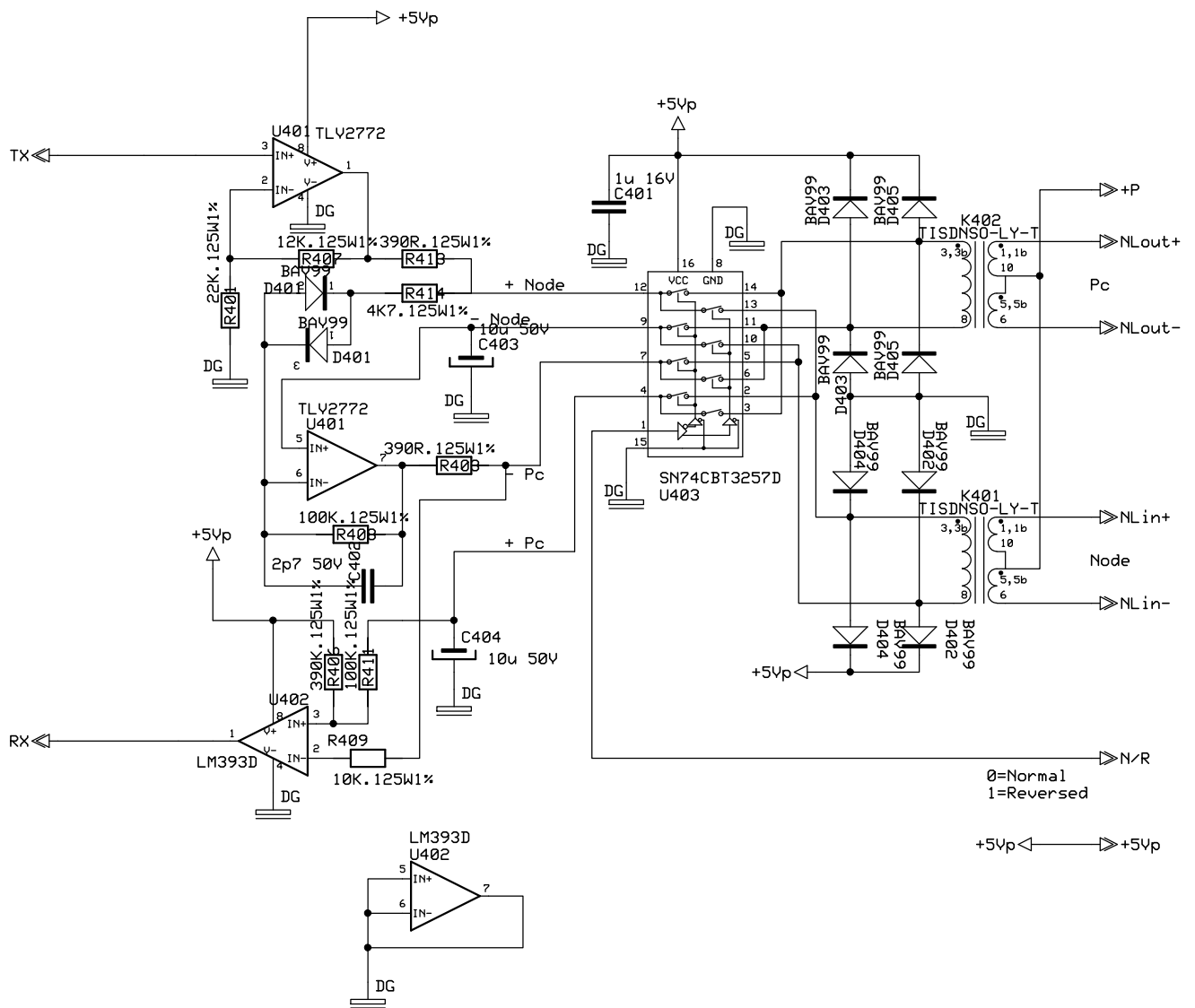
DESIGN	DRAWN	CHECKED	REPLACES	REPLACED BY
LABGRUPPEN			DATE	PAGE
			KUNGSBACKA SWEDEN	



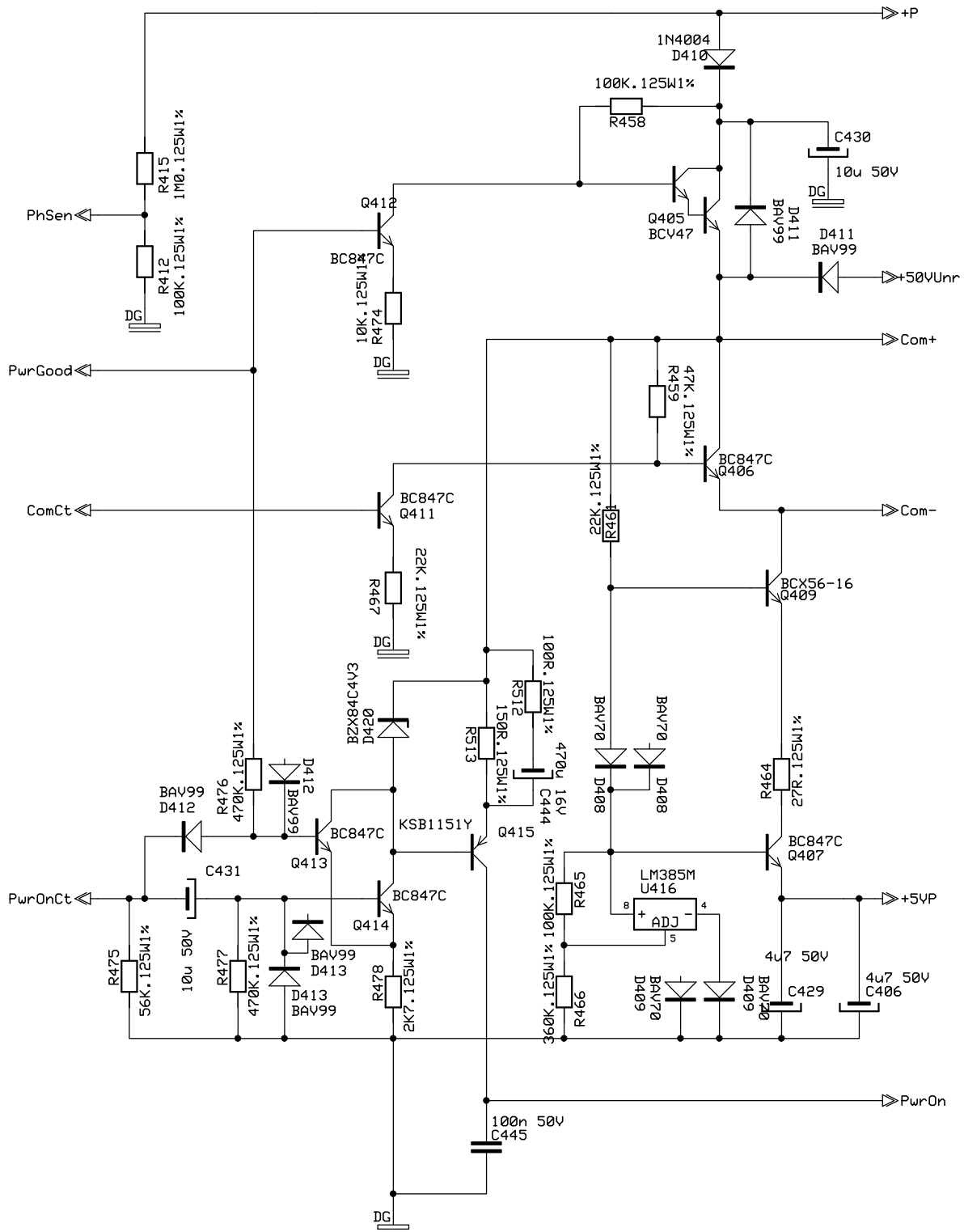
DESIGN	DRAWN	CHECKED	REPLACES	REPLACED BY
LABGRUPPEN			DATE	PAGE
KUNGSBACKA SWEDEN			DRAWING NO	



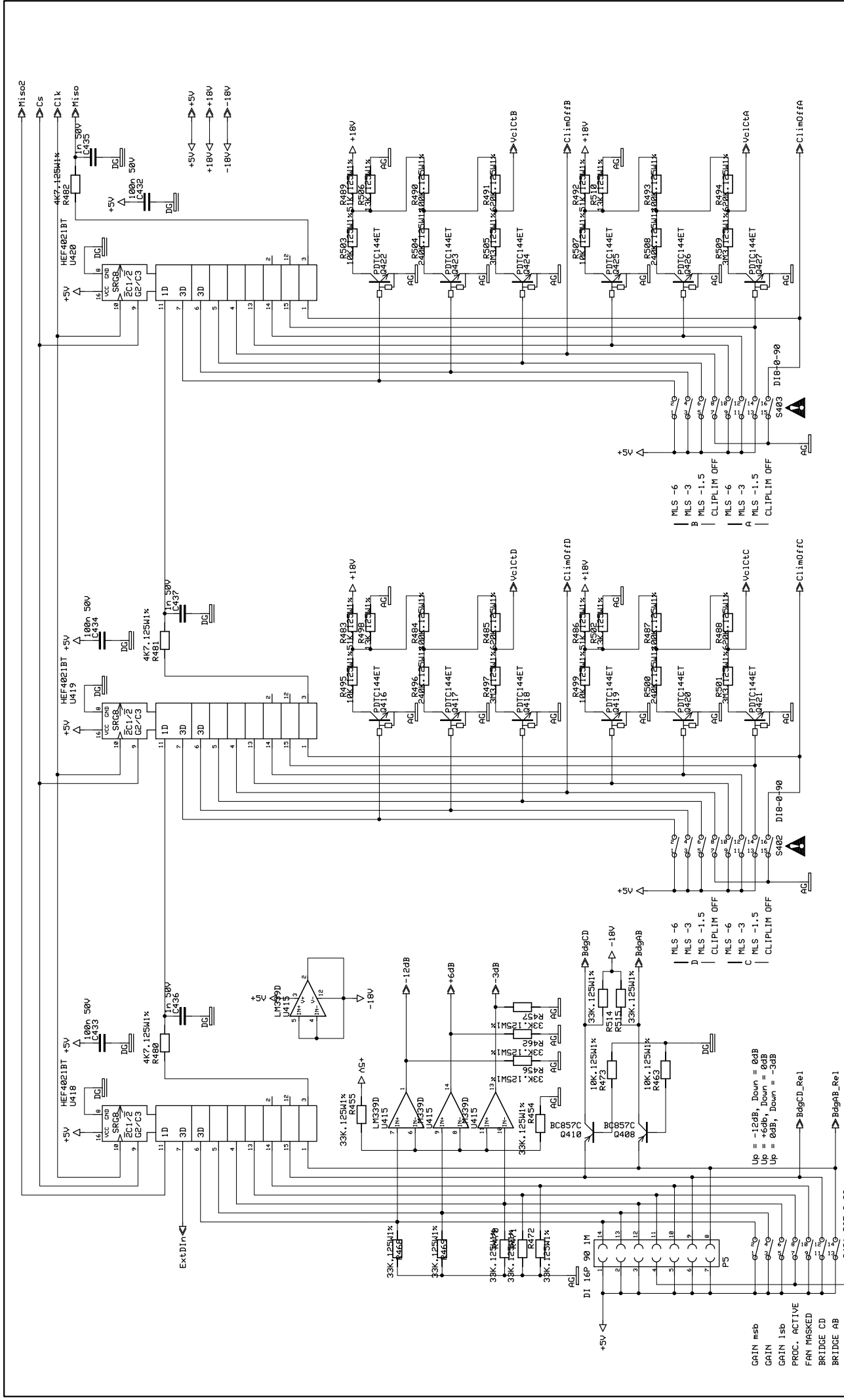
DESIGN KA	DRAWN	CHECKED	LVPsB	REPLACES	REPLACED BY
LABGRUPPEN KUNGSBACKA SWEDEN				Low voltage power supply type1	DATE



DESIGN	DRAWN	CHECKED	NLI Nomad link interface	REPLACES	REPLACED BY
LABGRUPPEN KUNGSBACKA SWEDEN				DATE	PAGE
				DRAWING NO	



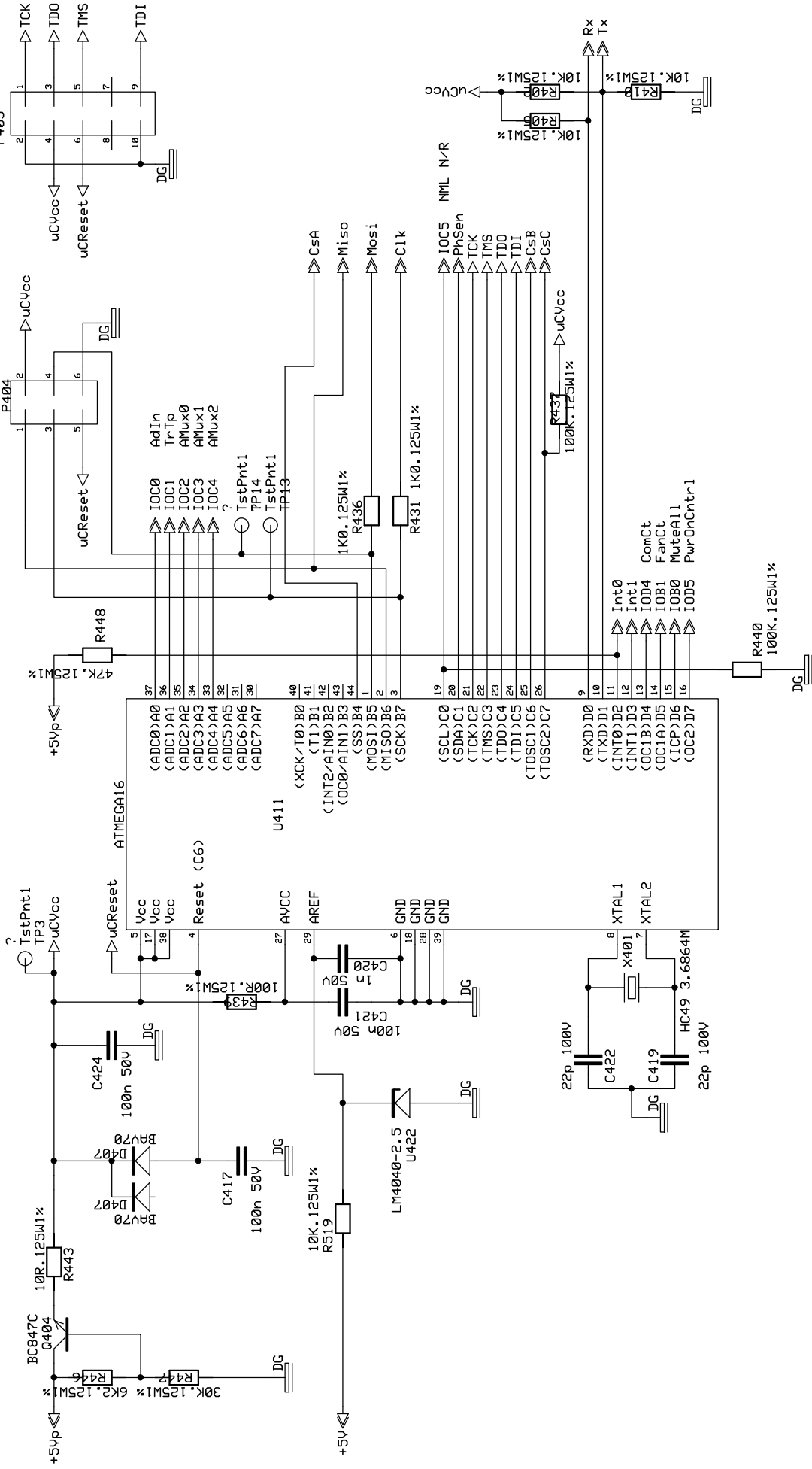
DESIGN KA	DRAWN	CHECKED	NLIPs	REPLACES	REPLACED BY	
LABGRUPPEN KUNGSBACKA SWEDEN				Nomad Link Interface Power Supply		DATE
						DRAWING NO



DESIGN	DRAWN	CHECKED	REPLACES	REPLACED BY
LABGRUPPEN			DATE	PAGE
KUNGSBACKA SWEDEN			DRAWING NO	

ISP Port PH2X31M

JTAG Port see below P405



DESIGN	DRAWN	CHECKED	UPcB	
LABGRUPPEN KUNGSBACKA SWEDEN			REPLACES	REPLACED BY
			DATE	PAGE
Micro Processor unit typeB			DRAWING NO	UPcB