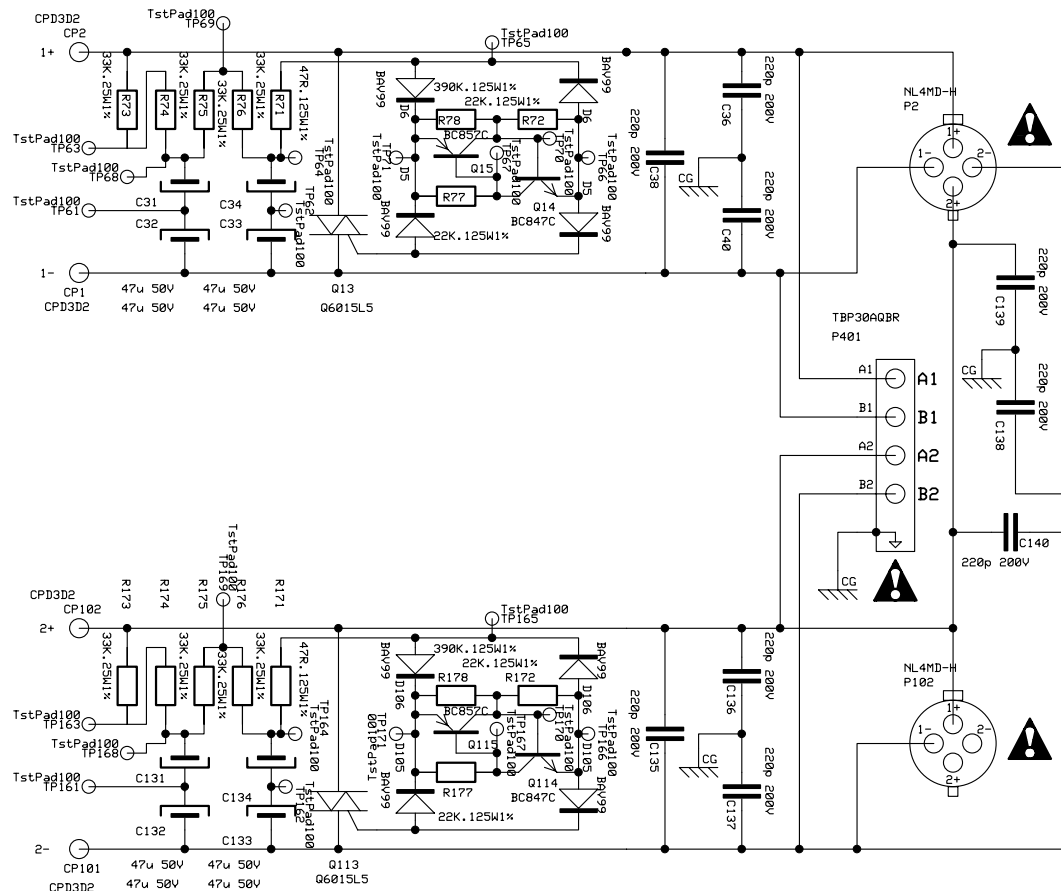


MIA02-01
PCB1

MIA02-PCB



DESIGN	DRAWN FK	CHECKED	MIA02	REPLACES 121219	REPLACED BY
LABGRUPPEN KUNGSBACKA SWEDEN				Mains Input Analog Output 2 channels	DATE 130114
				DRAWING NO MIA02-01Xc	