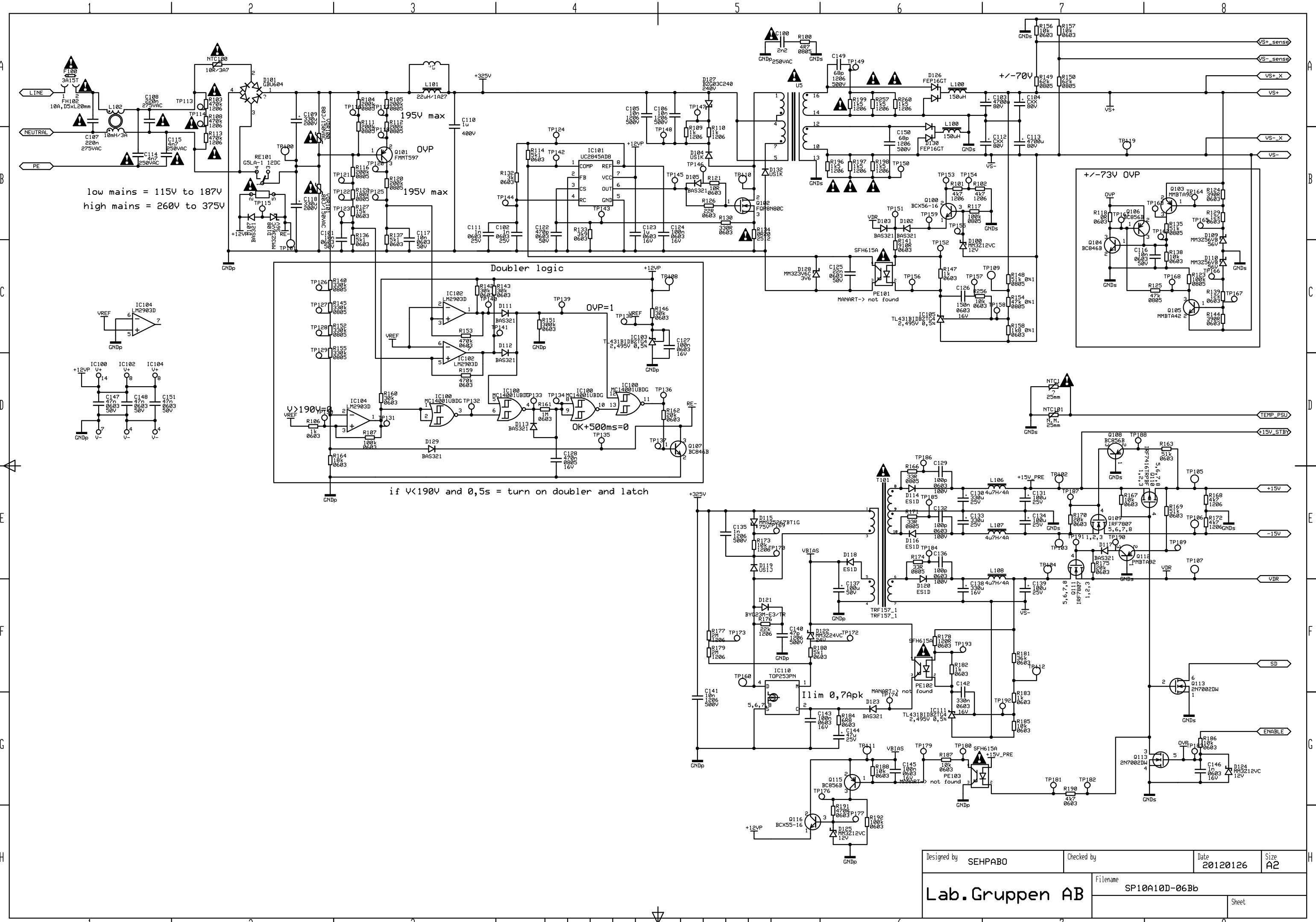


Designed by SEHPABO	Checked by	Date 20120126	Size A3
Lab. Gruppen AB		Filename SP10A10D-06Bb	
		Sheet	

ACC4 SPBA70.27B Sticker SPBA70.27B UL recognized for SP10A10D-XXBx



low mains = 115V to 187V
high mains = 260V to 375V

if $V < 190V$ and $0,5s$ = turn on doubler and latch

Designed by	SEHPABO	Checked by		Date	20120126	Size	A2
Lab. Gruppen AB		Filename		SP10A10D-06Bb			
				Sheet			

