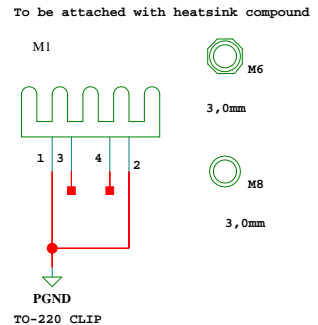
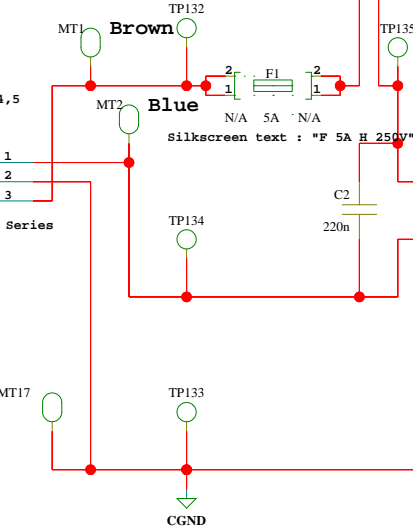
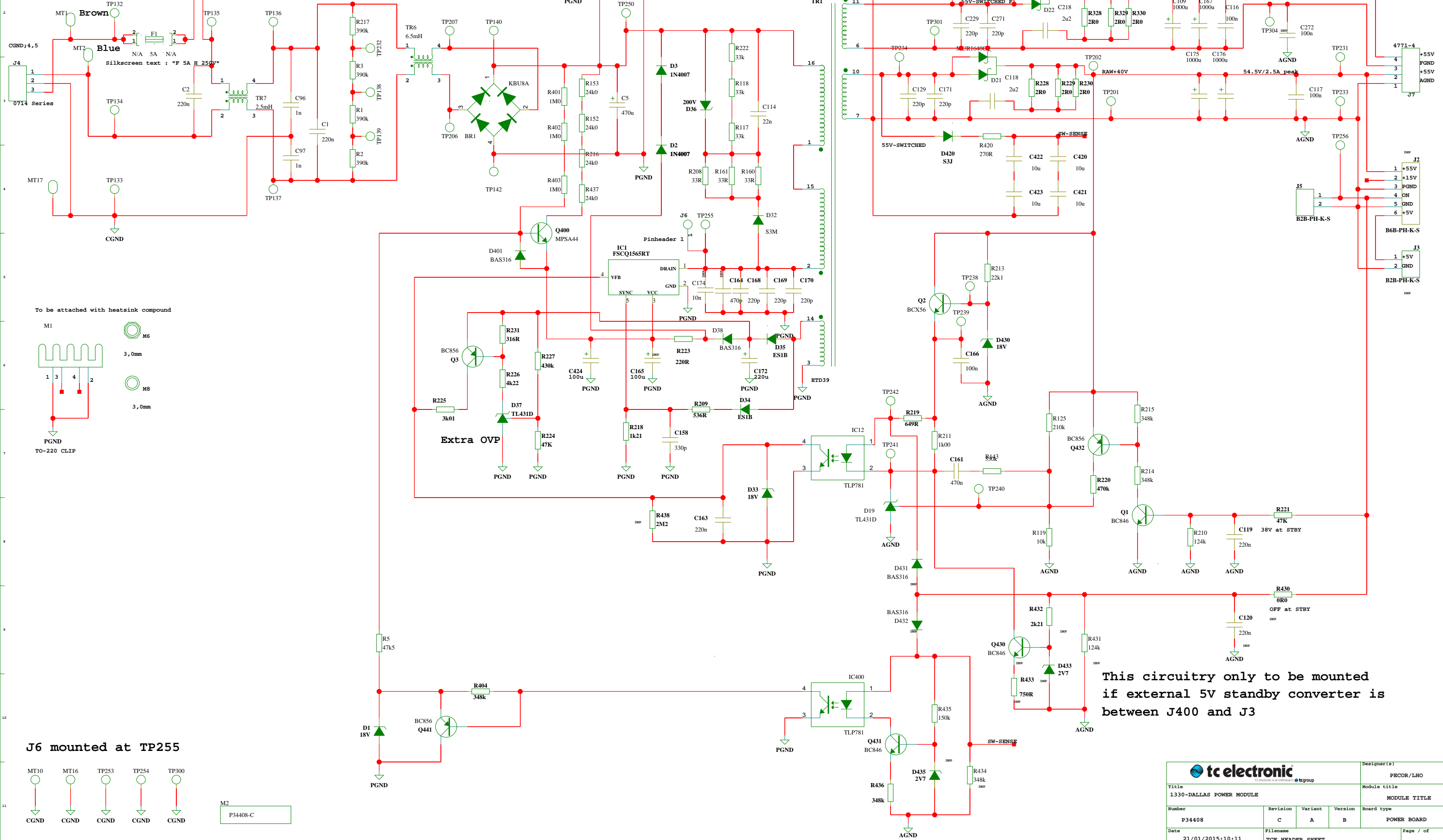
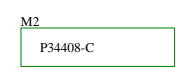
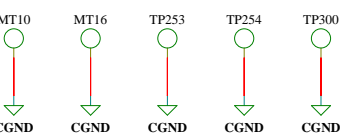


90 - 240VAC



J6 mounted at TP255



This circuitry only to be mounted if external 5V standby converter is between J400 and J3

		Designer(s)		
		PECOR/LHO		
Title		Module title		
1330-DALLAS POWER MODULE		MODULE TITLE		
Number	Revision	Variant	Version	Board type
	F34408	C	A	B
Date	Filename	Page / of		
21/01/2015:10:11	TCE_HEADER_SHEET	1 / 2		