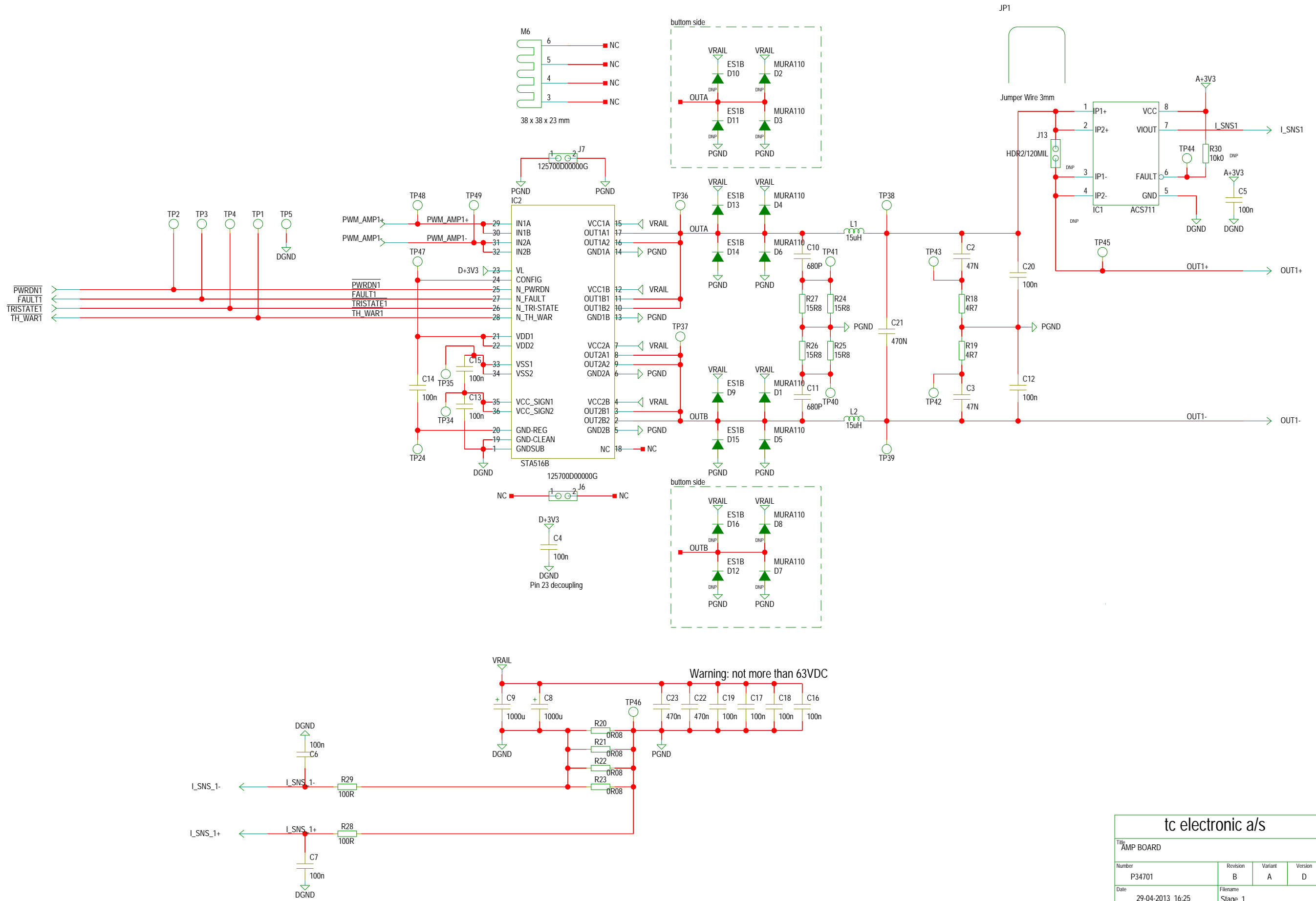
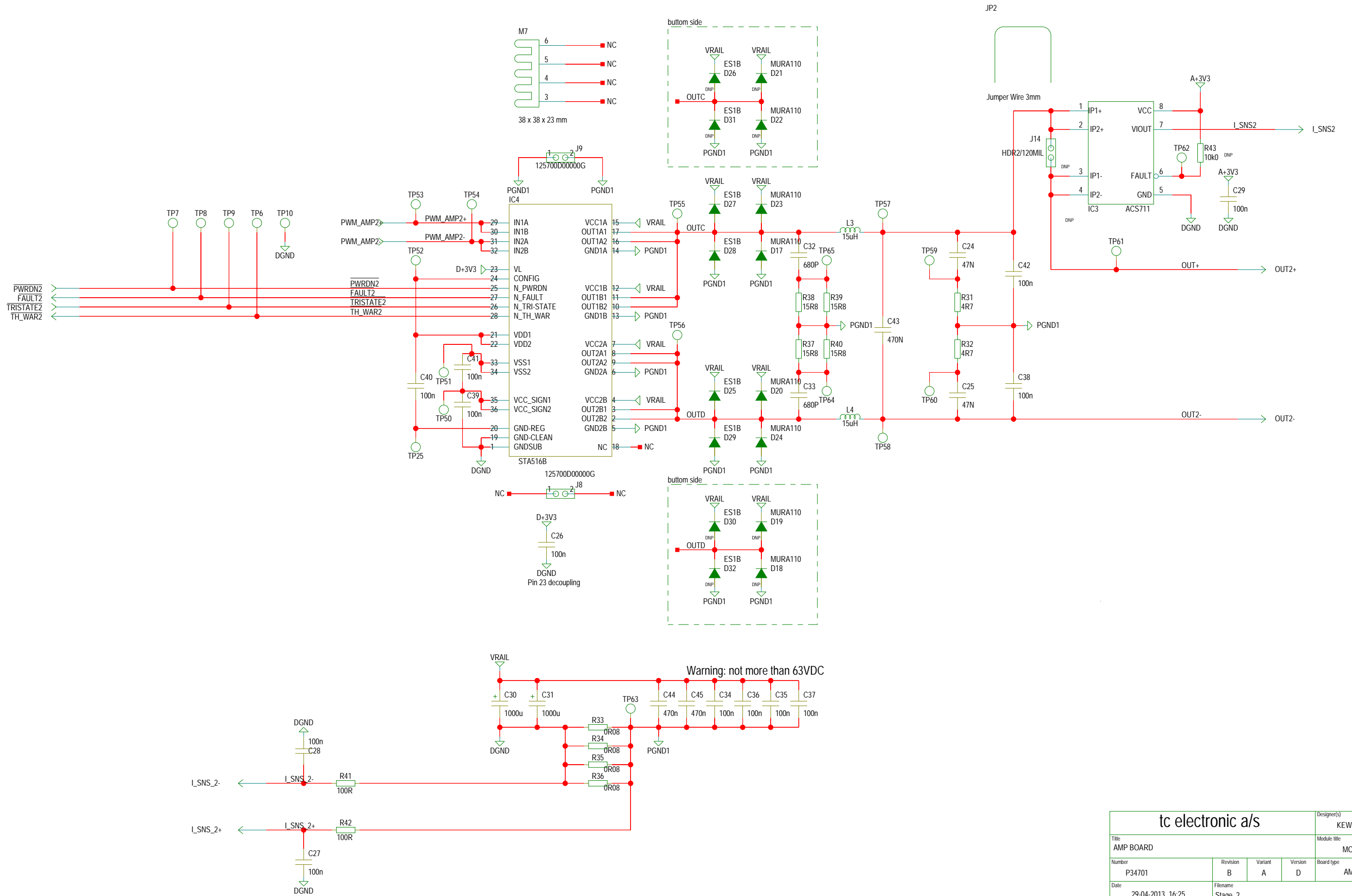


M5  
 P34701-B

tc electronic a/s				Designer(s) KEWAN/LAP/LHO
Title AMP BOARD				Module title AMP MODULE
Number P34701	Revision B	Variant A	Version D	Board type AMP BOARD
Date 29-04-2013_16:25	Filename		Page / of 1 / 3	



tc electronic a/s				Designer(s)
Title: AMP BOARD				KEWAN/LAP/LHO
Module title:				MODULE TITLE
Number: P34701	Revision: B	Variant: A	Version: D	Board type: AMP BOARD
Date: 29-04-2013_16:25	Filename: Slage_1			Page / of: 1 / 3



tc electronic a/s				Designer(s) KEWAN/LAP/LHO
Title AMP BOARD				Module title MODULE TITLE
Number P34701	Revision B	Variant A	Version D	Board type AMP BOARD
Date 29-04-2013_16:25	Filename Slage_2		Page / of 1 / 3	