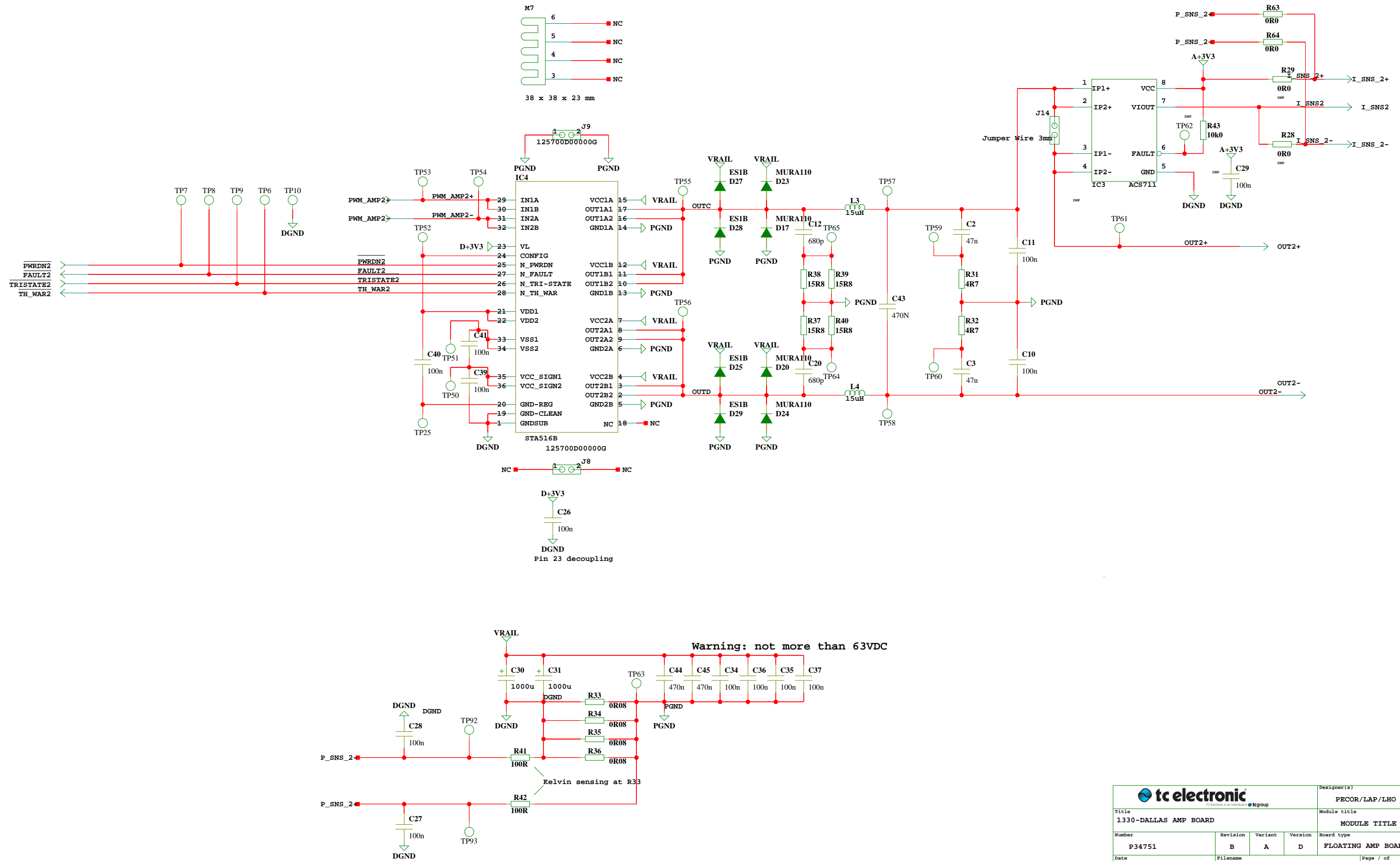
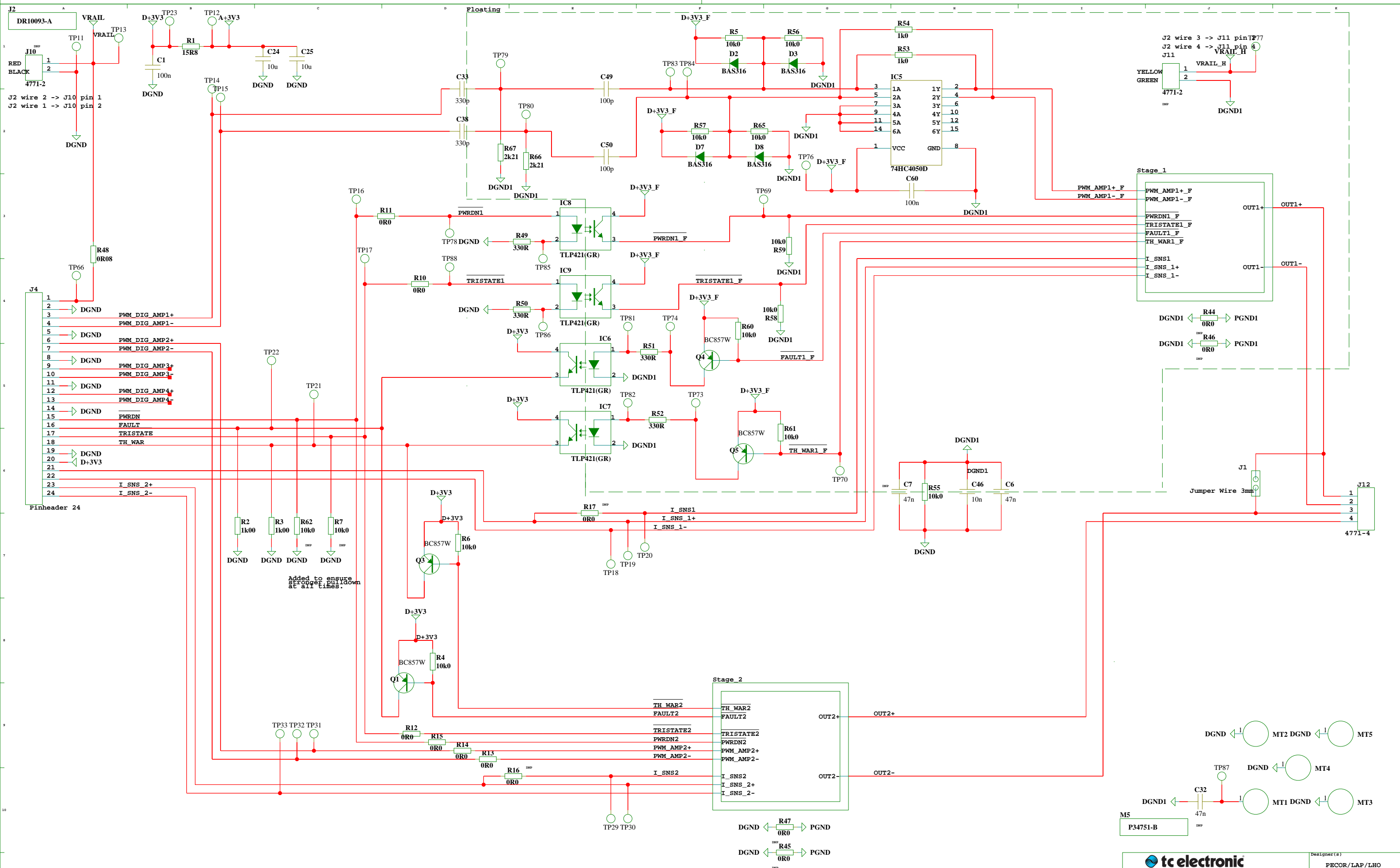


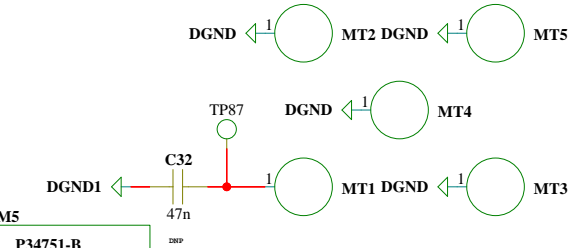
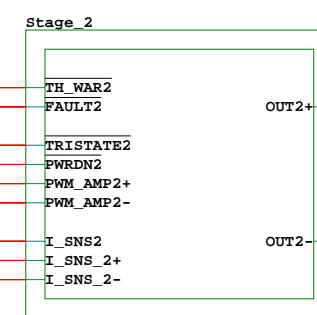
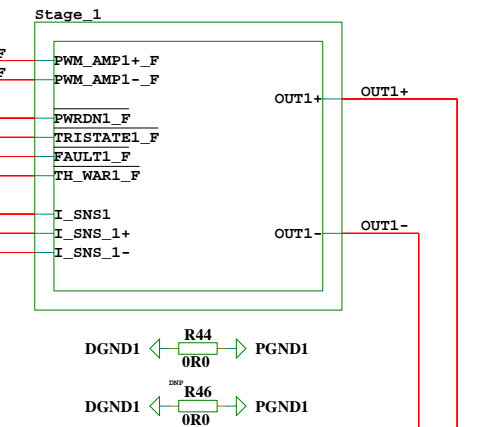
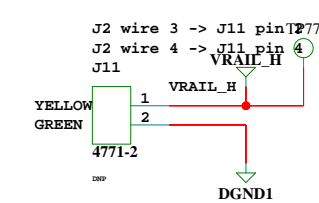
tc electronic <small>TC Electronic is an Intel® and Intelgroup</small>		Designer(s)	
Title 1330-DALLAS AMP BOARD		PECOR/LAP/LHO	
Module title MODULE TITLE		Board type FLOATING AMP BOARD	
Number P34751	Revision B	Variant A	Version D
Date	Filename	Page / of 2 / 3	



		Designer(s)	
Title		PECOR/LAP/LHO	
1330-DALLAS AMP BOARD		Module title	
Number		MODULE TITLE	
P34751	Revision	Variant	Version
	B	A	D
Date	Filename	Board type	
		FLOATING AMP BOARD	
		Page / of	
		3 / 3	



Added to ensure
st-ouger pull-down
at all times.



		Designer(s)		PECOR/LAP/LHO
		Module title		MODULE TITLE
Title		Revision		Version
1330-DALLAS AMP BOARD		B	A	D
Number		Board type		FLOATING AMP BOARD
P34751		Date		Page / of
Date		Filename		1 / 3