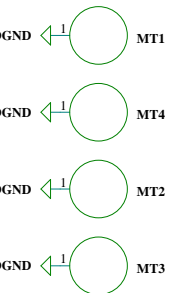
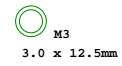
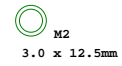
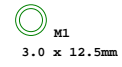
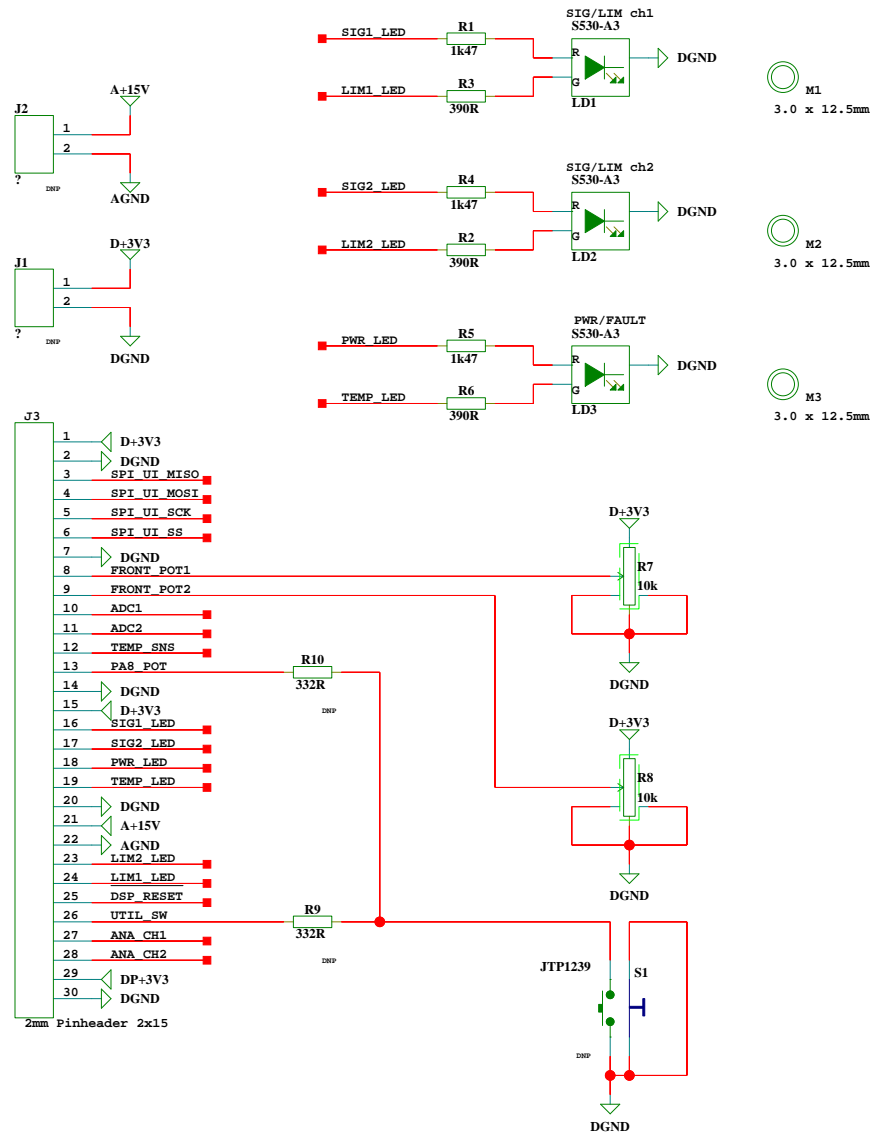


In previous versions, red and green anodes on LEDs were switched. This is fixed from AAF.



M5
P34801-A

				Designer(s) LHO/PECOR	
Title 1226 - FRONT PCB				Module title MODULE TITLE	
Number P34801	Revision A	Variant A	Version F	Board type FRONT PCB	
Date 12/08/2014:14:18	Filename P34801-A			Page / of 1 / 1	