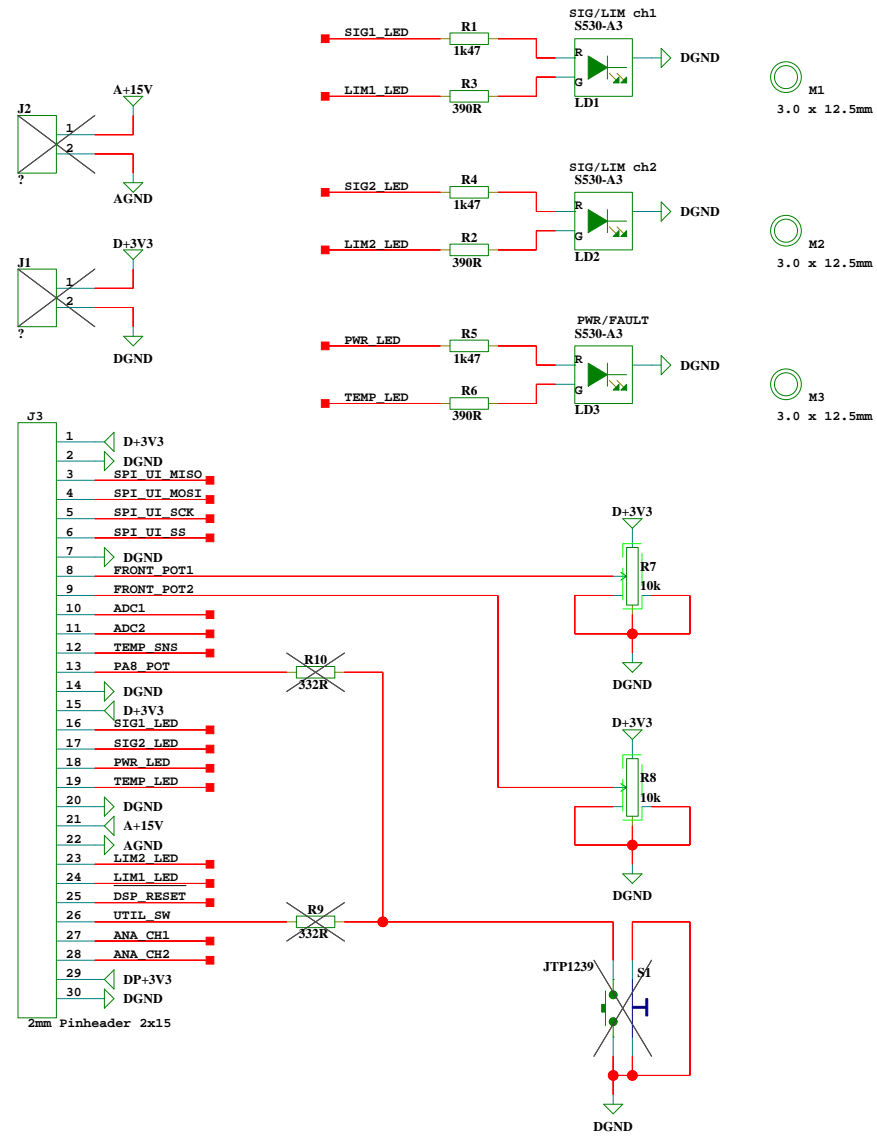


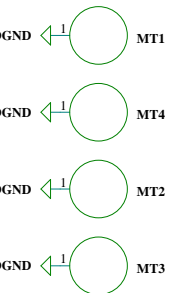
In previous versions, red and green anodes on LEDs were switched. This is fixed from AAF.



M1
3.0 x 12.5mm

M2
3.0 x 12.5mm

M3
3.0 x 12.5mm



M5
P34801-A

				Designer(s) LHO/PECOR	
Title 1330 - FRONT PCB				Module title MODULE TITLE	
Number P34801	Revision A	Variant B	Version F	Board type FRONT PCB	
Date 28/10/2014:13:50	Filename P34801-A			Page / of 1 / 1	