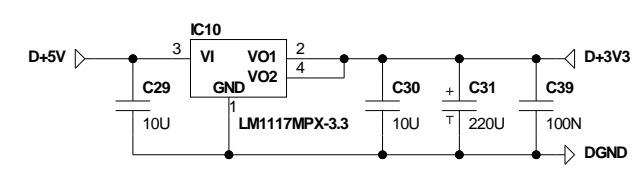
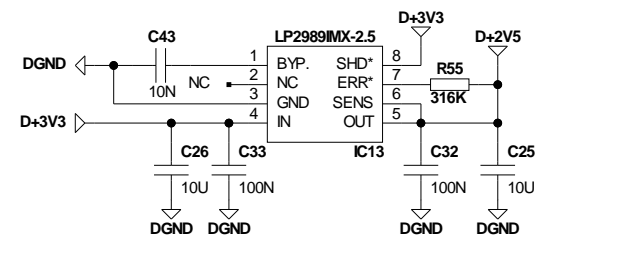
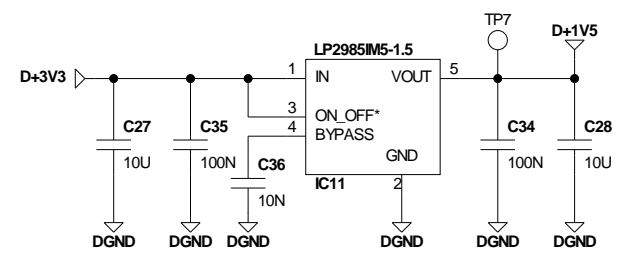
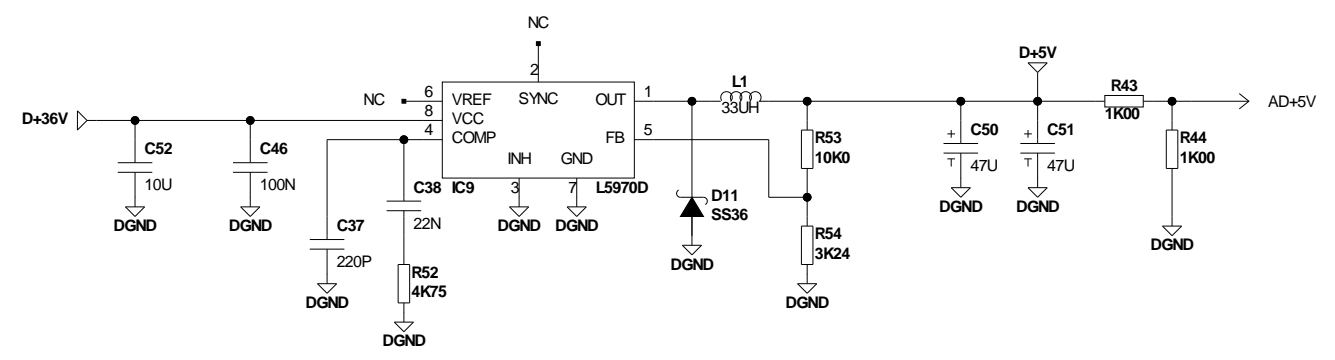
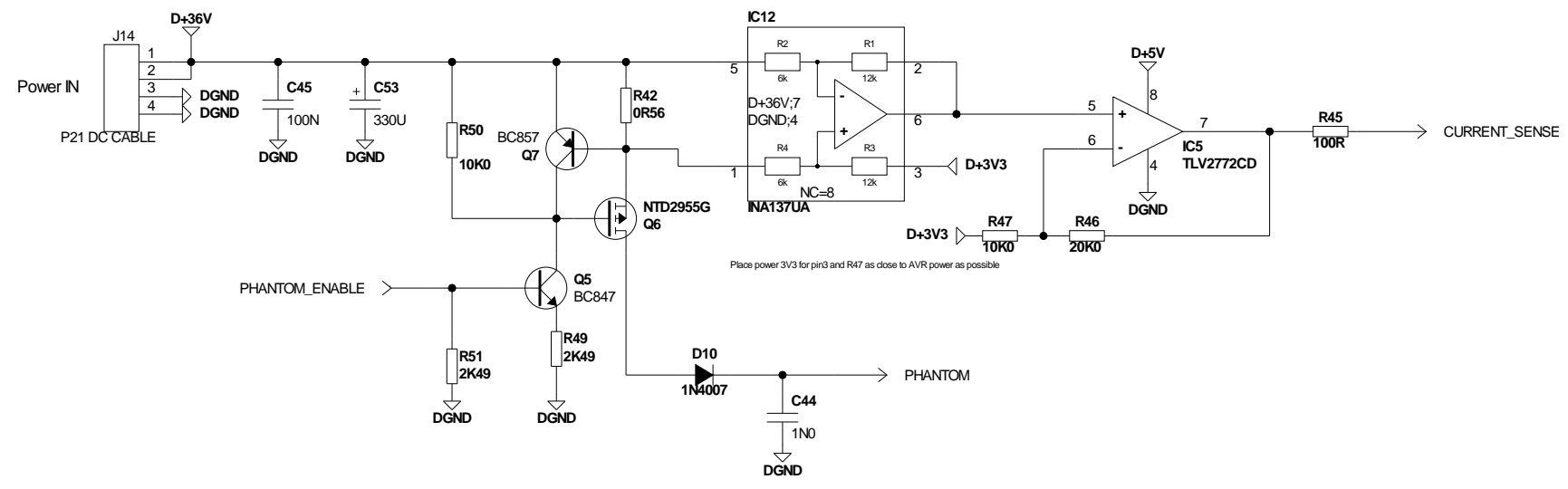
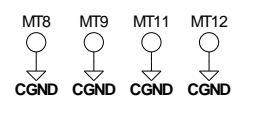
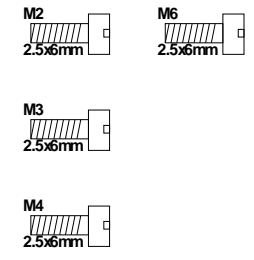


M1
P13021-C

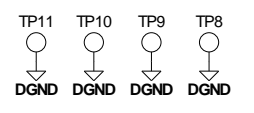
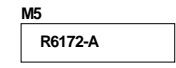
TC Electronic A/S		Designer MC/HK
Title P21 MAINBOARD	Module title P13021-CAA	
Number P13021	Revision CAA	Previous page XX
Date 5-26-2005 13:12	Filename P13021-CAA	Page / of 1 / 7



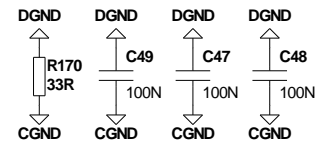
Screws for EMC Bracket



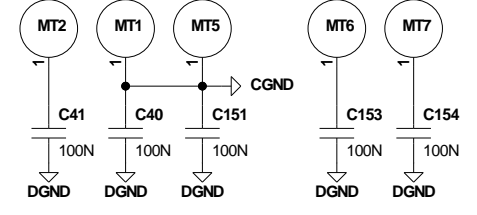
Holes for EMC Bracket



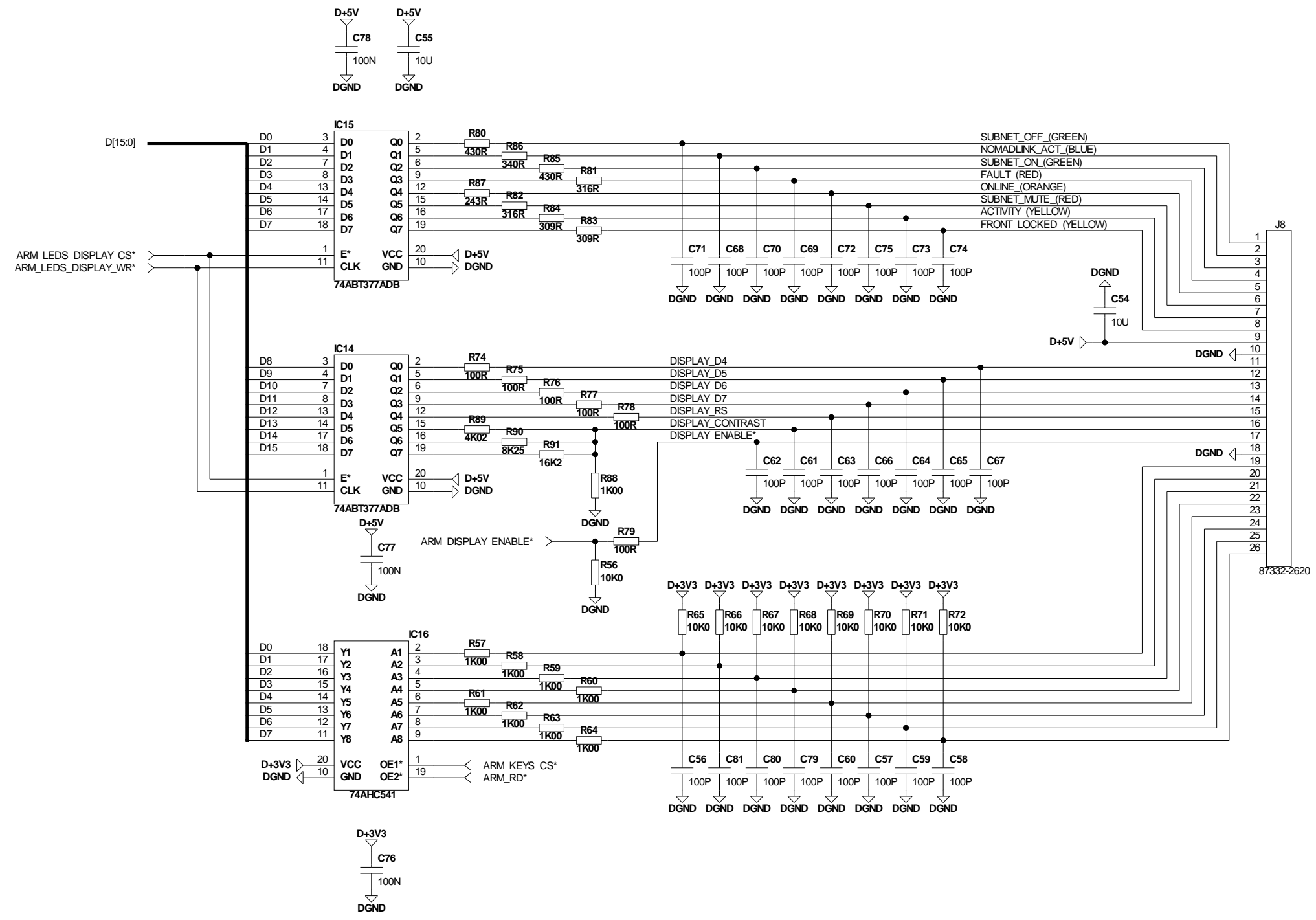
Probe DGND



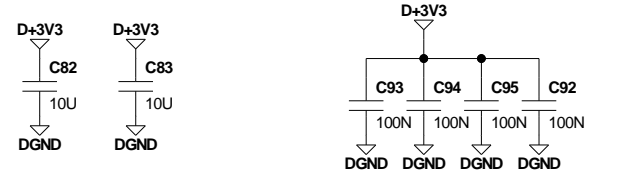
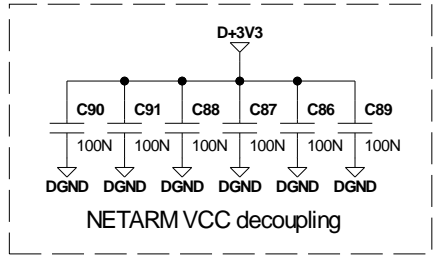
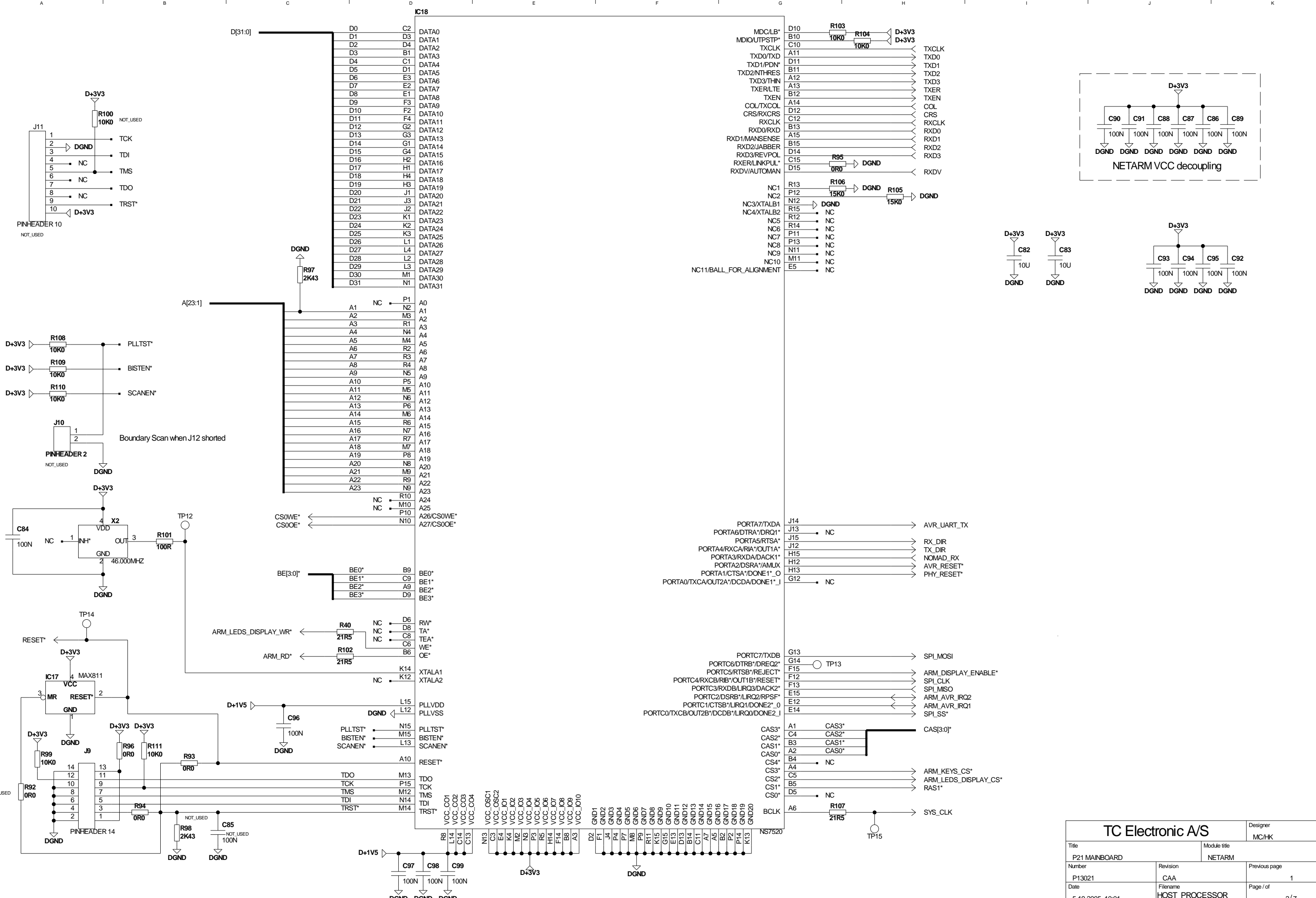
Mounting Holes



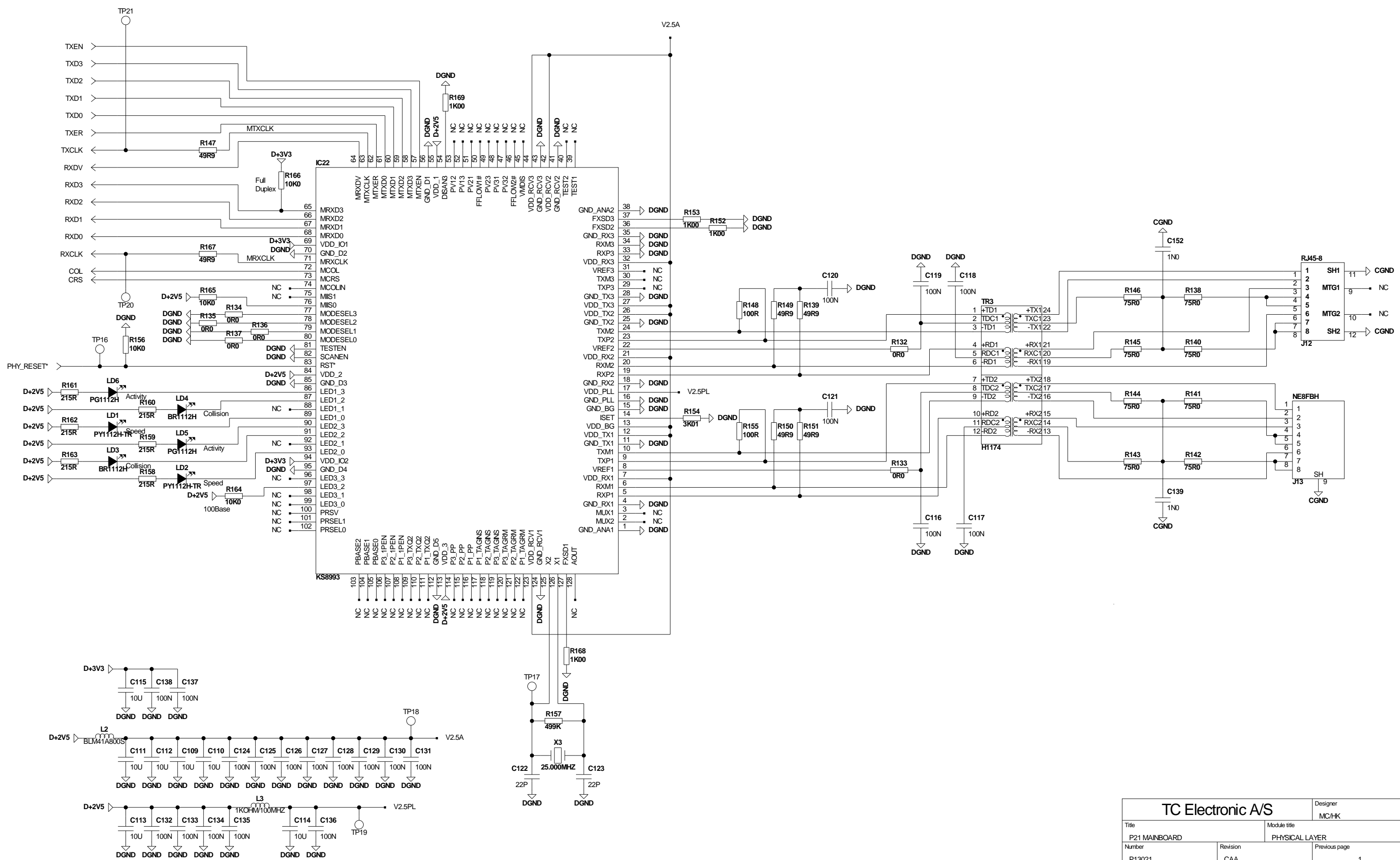
TC Electronic A/S		Designer
P21 MAINBOARD		MC/HK
Title	Module title	POWER
Number	Revision	Previous page
P13021	CAA	1
Date	Filename	Page / of
6-30-2005_11:38	POWER	7 / 7



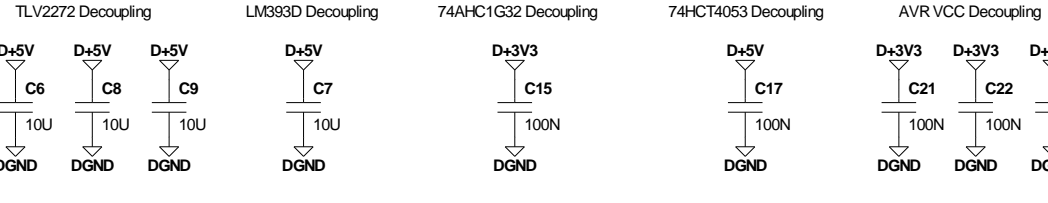
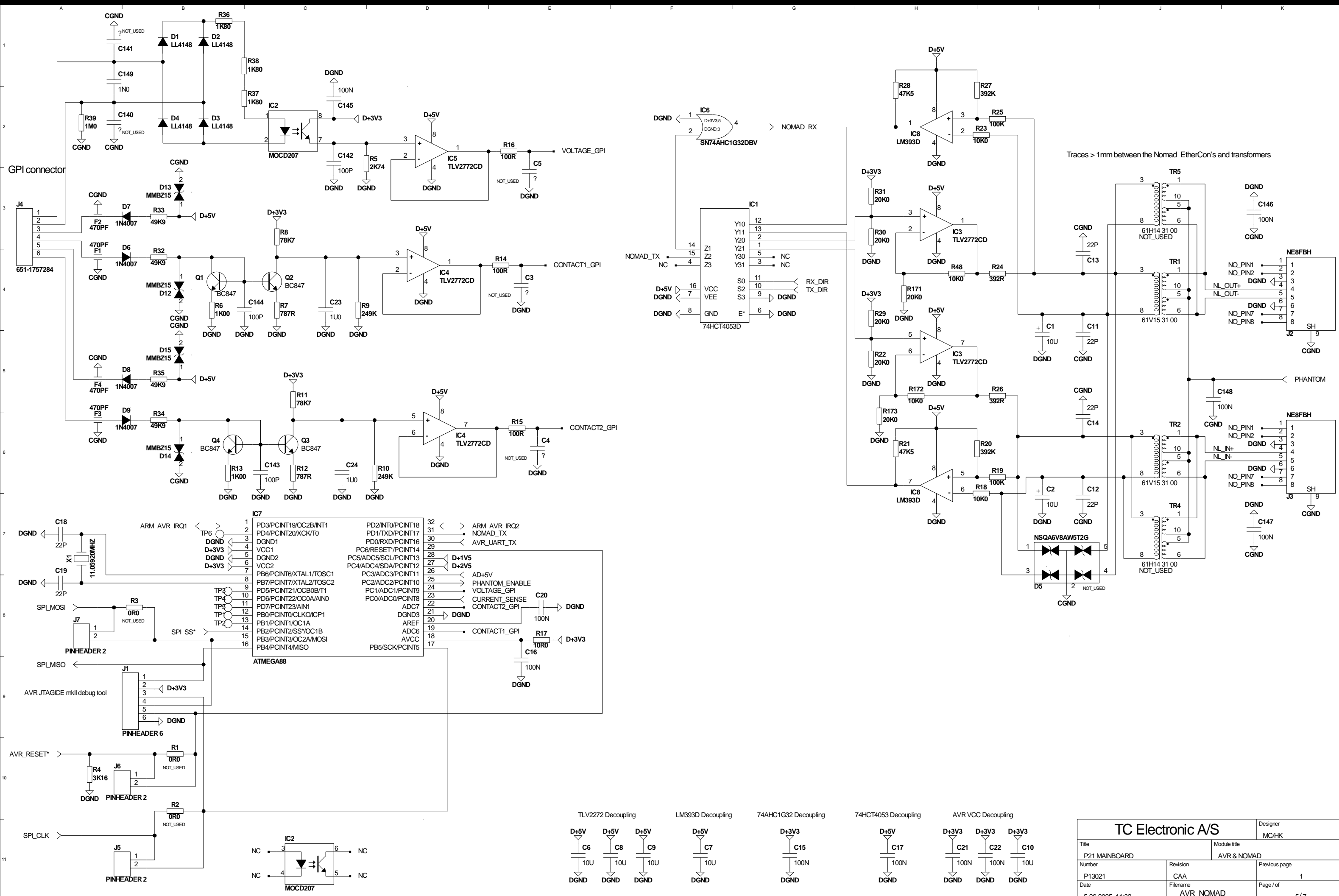
TC Electronic A/S		Designer MC/HK
Title P21 MAINBOARD		Module title FRONT INTERFACE
Number P13021	Revision CAA	Previous page XX
Date 7-28-2005_10:06	Filename FRONT_INTERFACE	Page / of 6 / 7



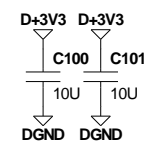
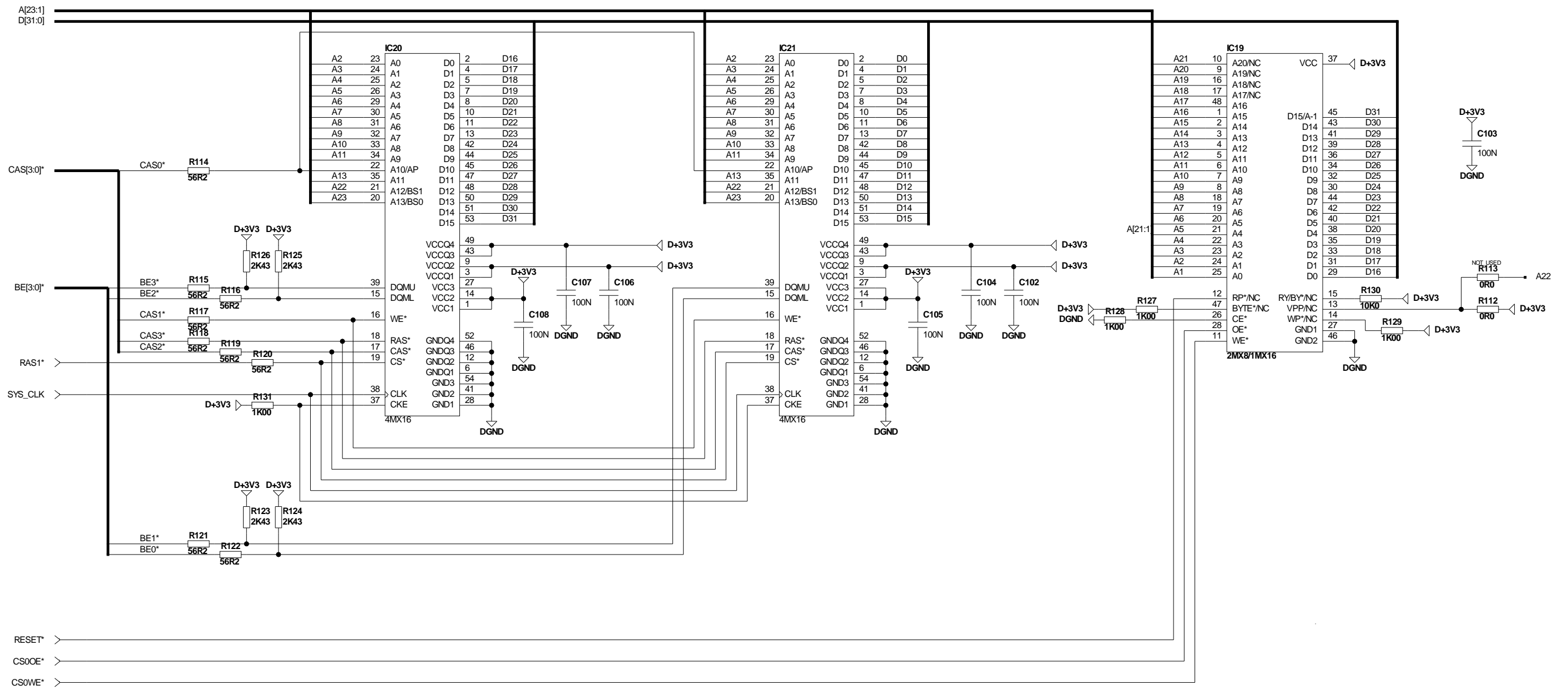
TC Electronic A/S		Designer MC/HK
Title P21 MAINBOARD	Module title NETARM	
Number P13021	Revision CAA	Previous page 1
Date 5-19-2005_10:01	Filename HOST_PROCESSOR	Page / of 2 / 7



TC Electronic A/S		Designer MCH/K
Title P21 MAINBOARD		Module title PHYSICAL LAYER
Number P13021	Revision CAA	Previous page 1
Date 5-27-2005 13:36	Filename ETHERNET	Page / of 4 / 7



TC Electronic A/S		Designer MCH/K
Title P21 MAINBOARD	Module title AVR & NOMAD	Previous page 1
Number P13021	Revision CAA	Page / of 5 / 7
Date 5-26-2005_11:32	Filenam AVR_NOMAD	



TC Electronic A/S		Designer MC/HK
Title P21 MAINBOARD		Module title HOSTMEM
Number P13021	Revision CAA	Previous page 1
Date 5-26-2005 13:07	Filename HOSTMEM	Page / of 3 / 7