

REPLACES 10-03-24
 DATE 10-07-01
 DRAWING NO SP200PFC09

DESIGN DRANN
 CHECKED
20kW PSU

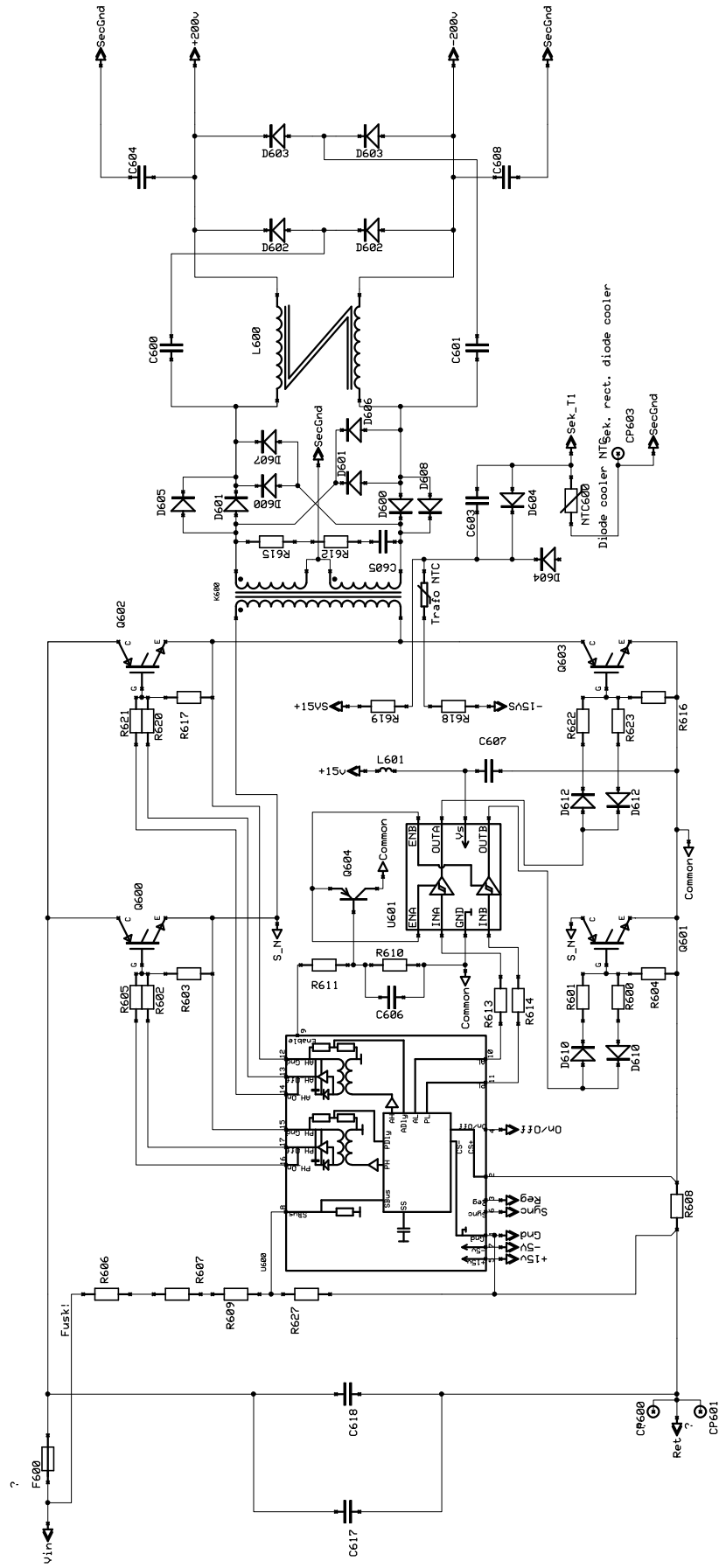
LABGRUPPEN
 KUNGSBACKA SWEDEN

Output OVP
 Input OVP

PAGES: 1
 vpr.in+
 vpr.in-
 vpr.in
 vpr.in

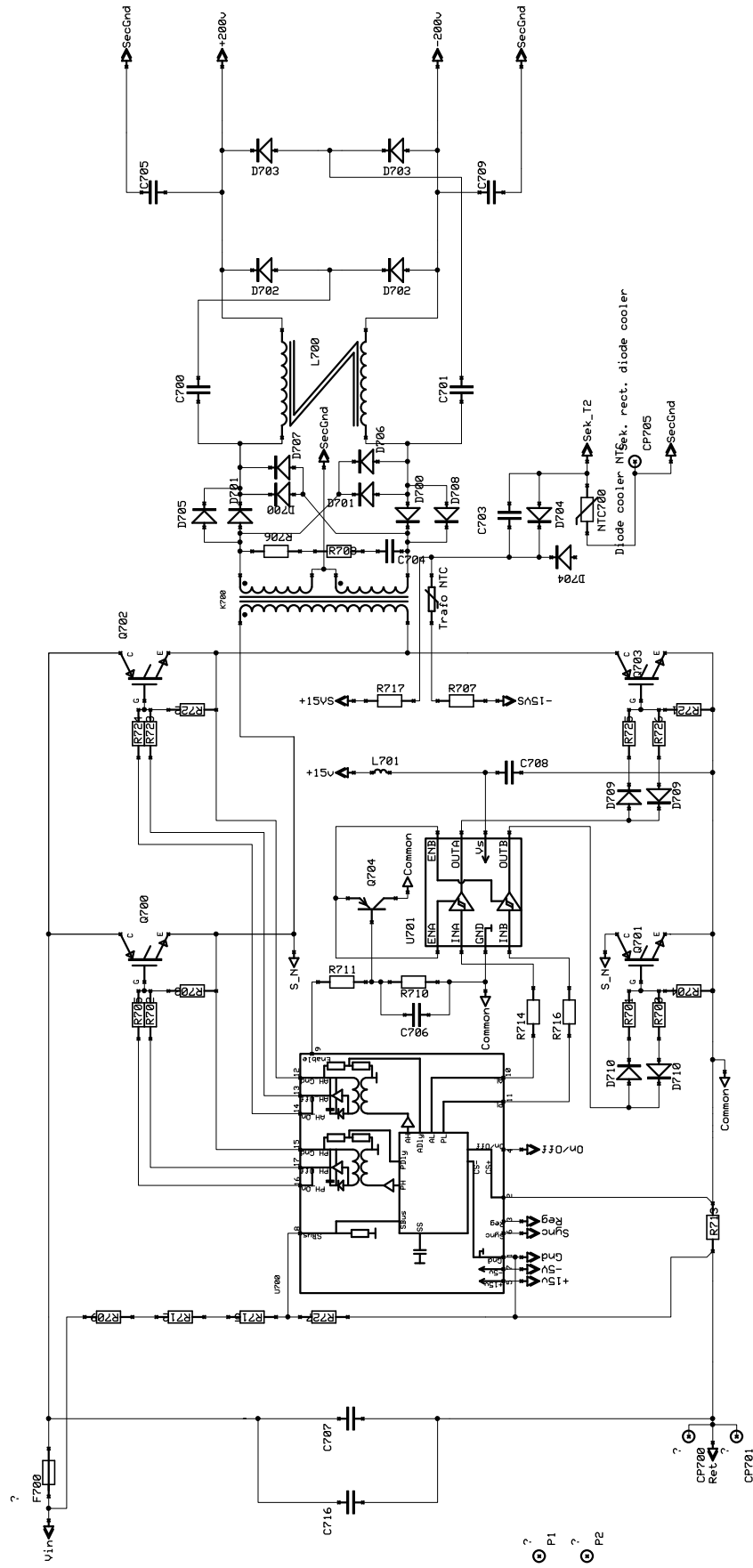
AUX Sec
 REG +18V
 REG -18V
 v80

PAGES: 2
 REG +18V
 REG -18V
 v80

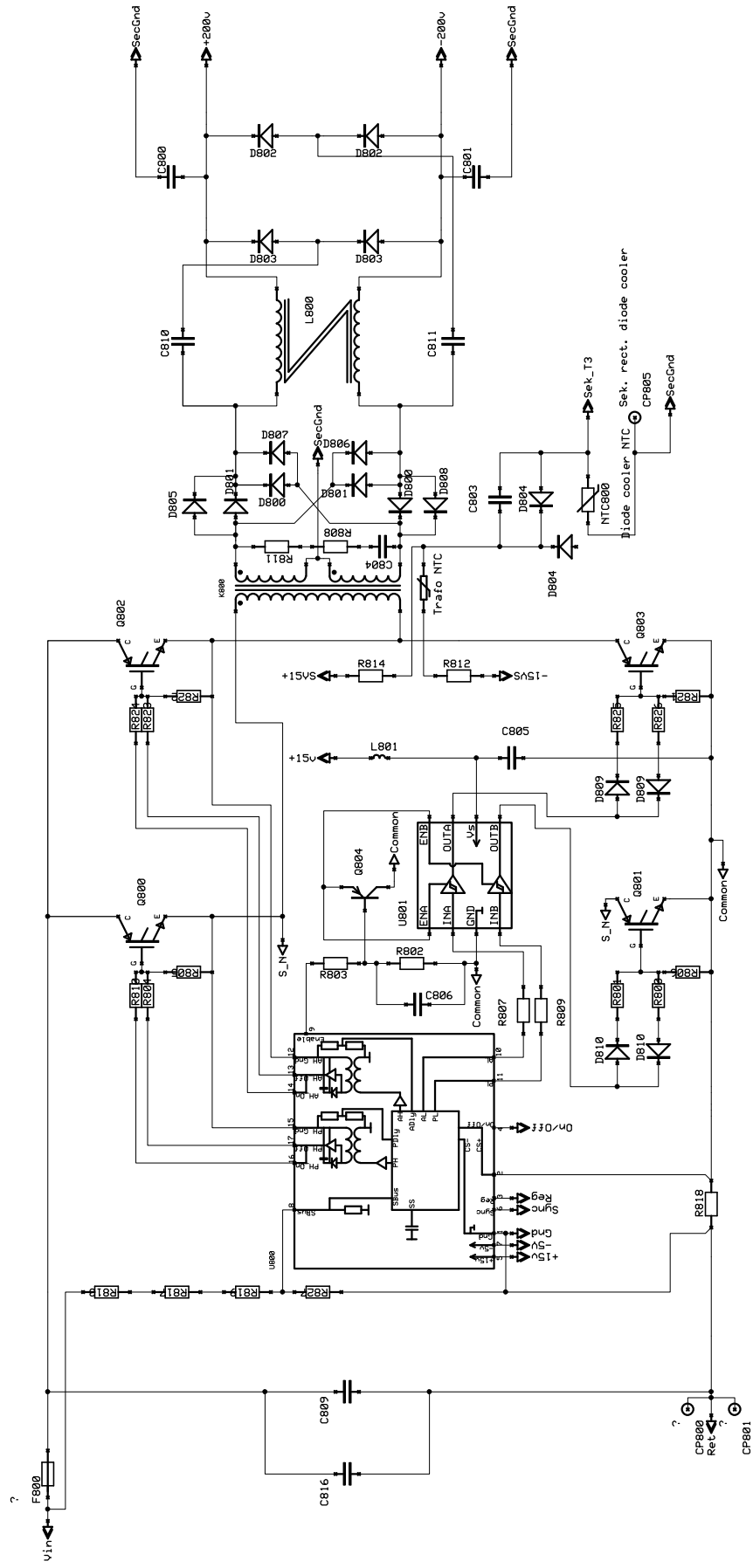


DESIGN	DRAWN	CHECKED	REPLACES	REPLACED BY
LABGRUPPEN KUNGSBACKA SWEDEN			DATE	PAGE
			Drawing NO	

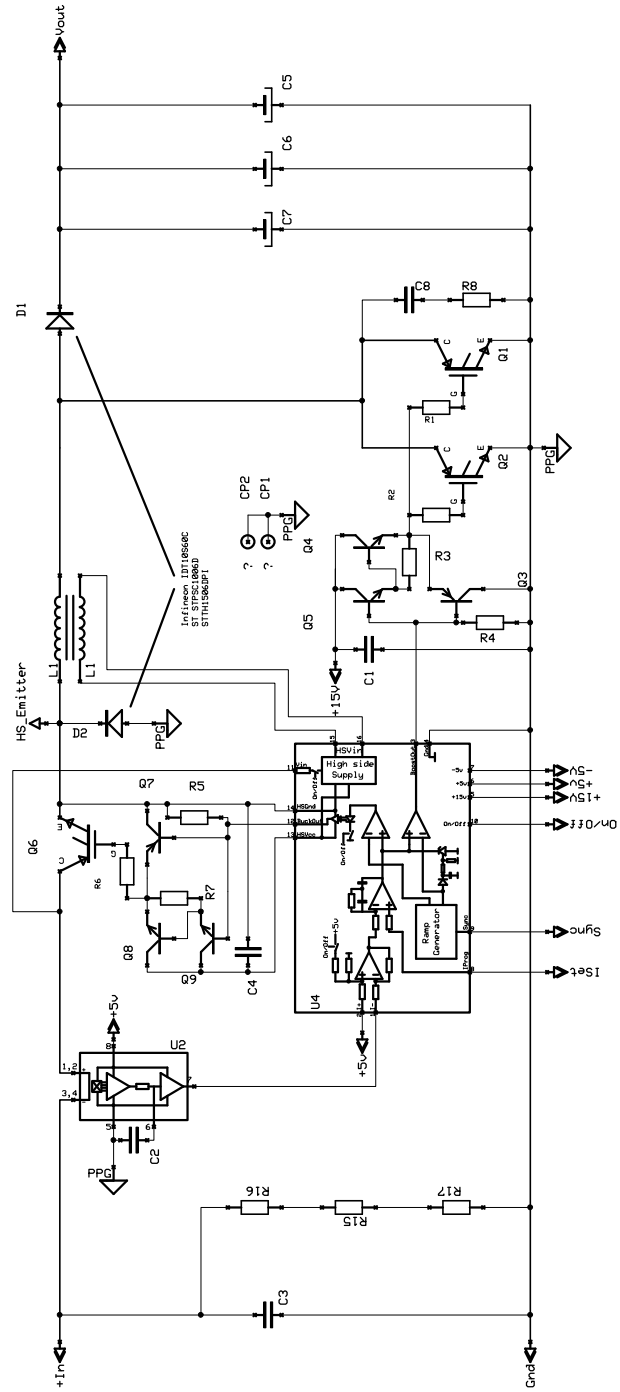
Bridge_1



DESIGN	DRAWN	CHECKED	REPLACES	REPLACED BY
LABGRUPPEN KUNGSBACKA SWEDEN			DATE	PAGE
			Bridge_2	

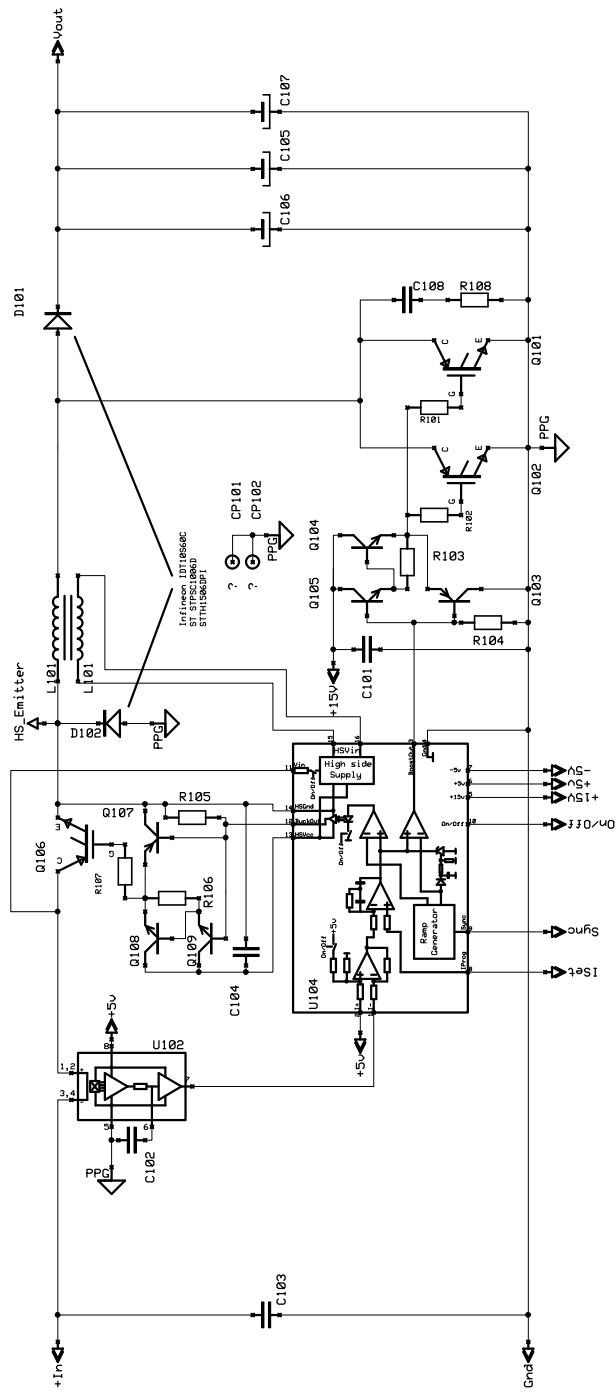


DESIGN	DRAWN	CHECKED	REPLACES	REPLACED BY
LABGRUPPEN KUNGSBACKA SWEDEN			DATE	PAGE
			Bridge_3 DRAWING NO	



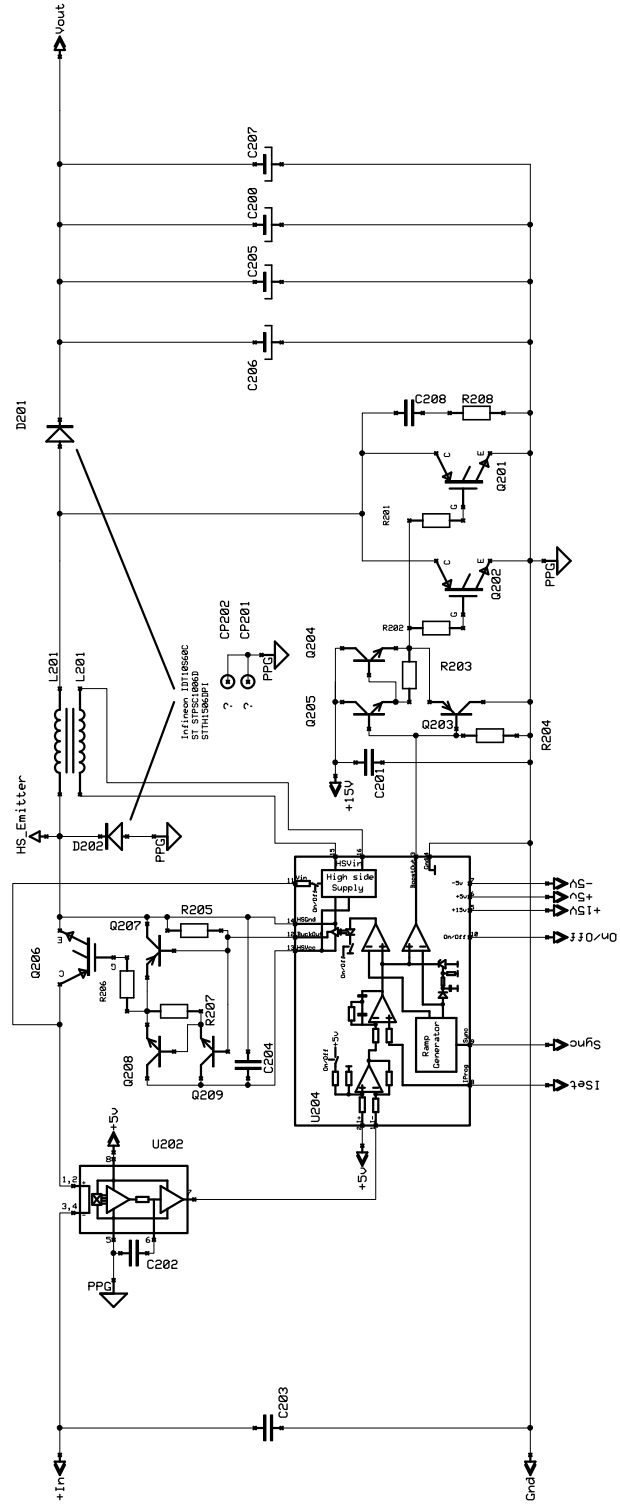
DESIGN MIN/ME	DRAWN	CHECKED	REPLACES	REPLACED BY
			Buck + Boost PFC 1.6kW	
			DATE	PAGE
			DRAWING NO	BBPFC16A01

LABGRUPPEN
KUNGSBACKA SWEDEN



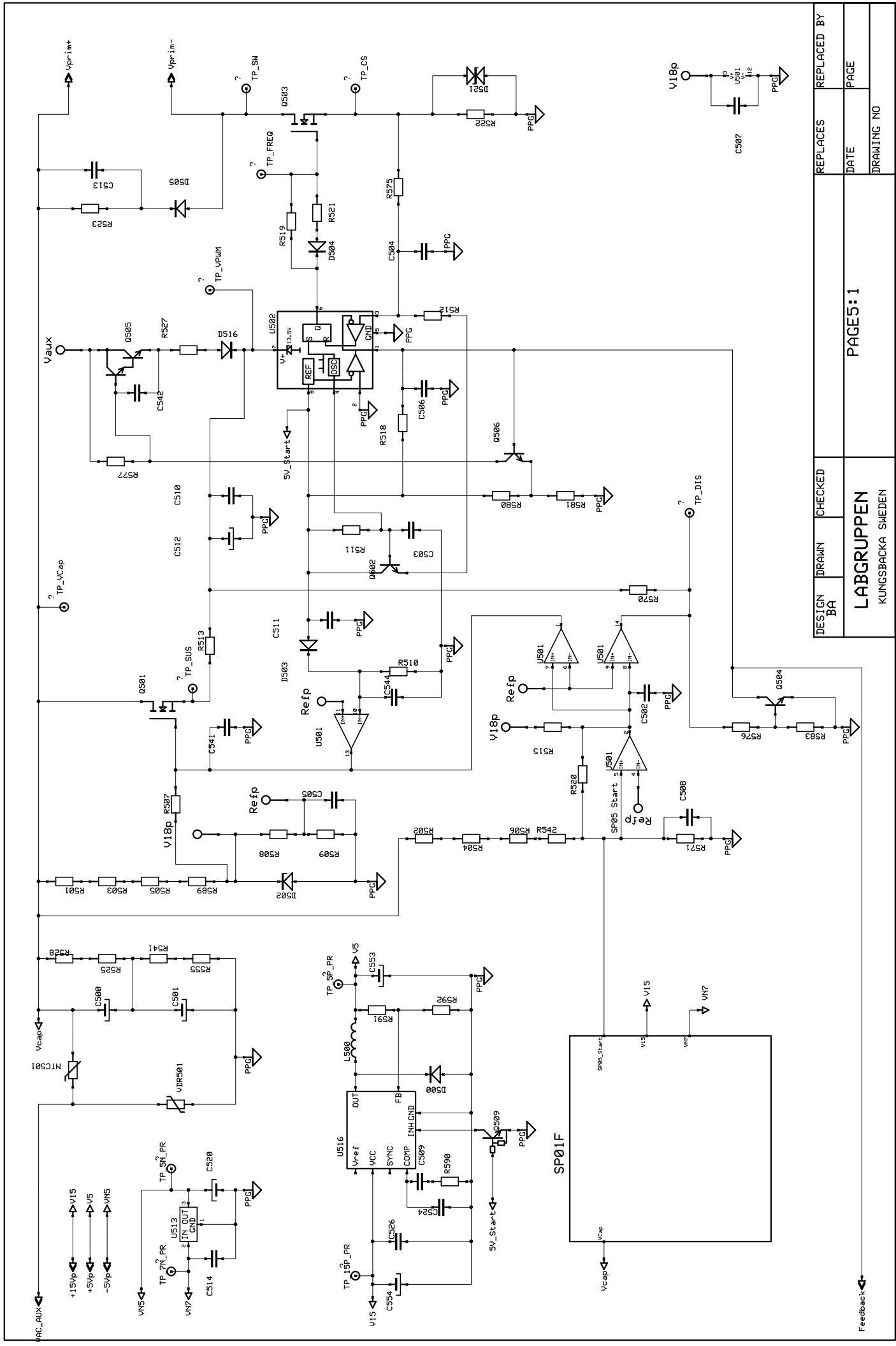
DESIGN MIN/ME	DRAWN	CHECKED	REPLACES	REPLACED BY
			Buck + Boost PFC 1.6kW	
			DATE	PAGE
			DRAWING NO	BBPFC16A01

LABGRUPPEN
KUNGSBACKA SWEDEN



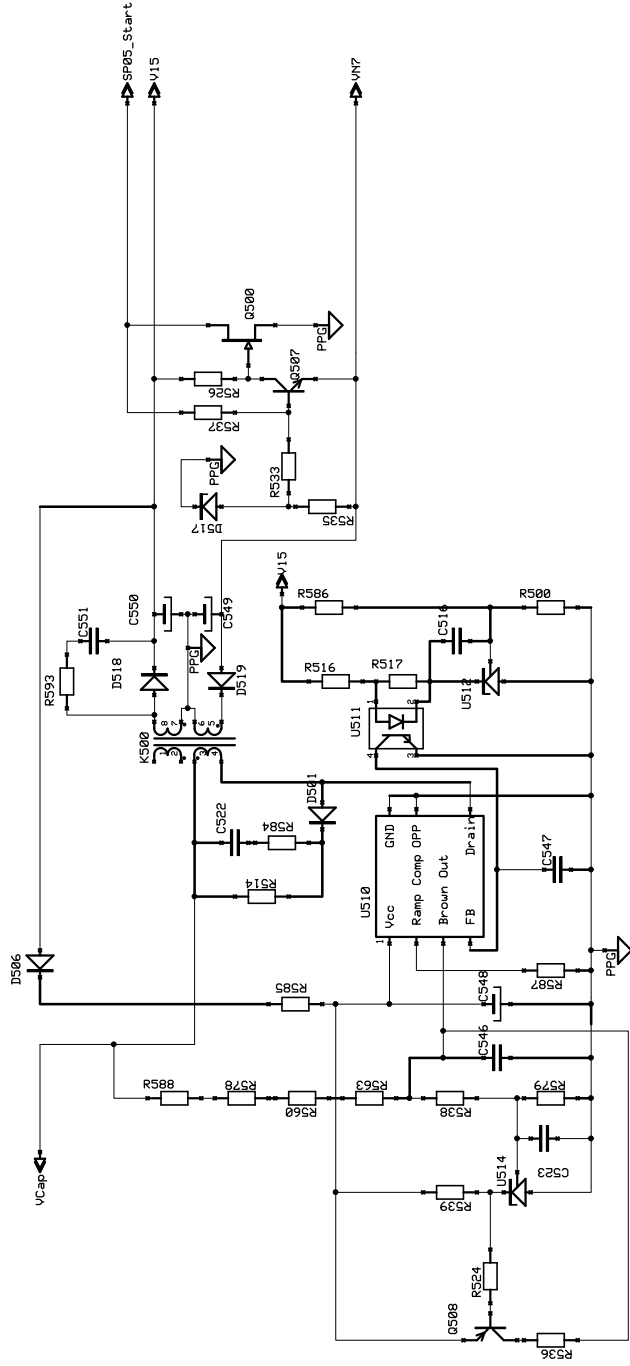
DESIGN MIN/ME	DRAWN	CHECKED	REPLACES	REPLACED BY
			Buck + Boost PFC 1.6kW	
			DATE	PAGE
			DRAWING NO	BBPFC16A01

LABGRUPPEN
KUNGSBACKA SWEDEN

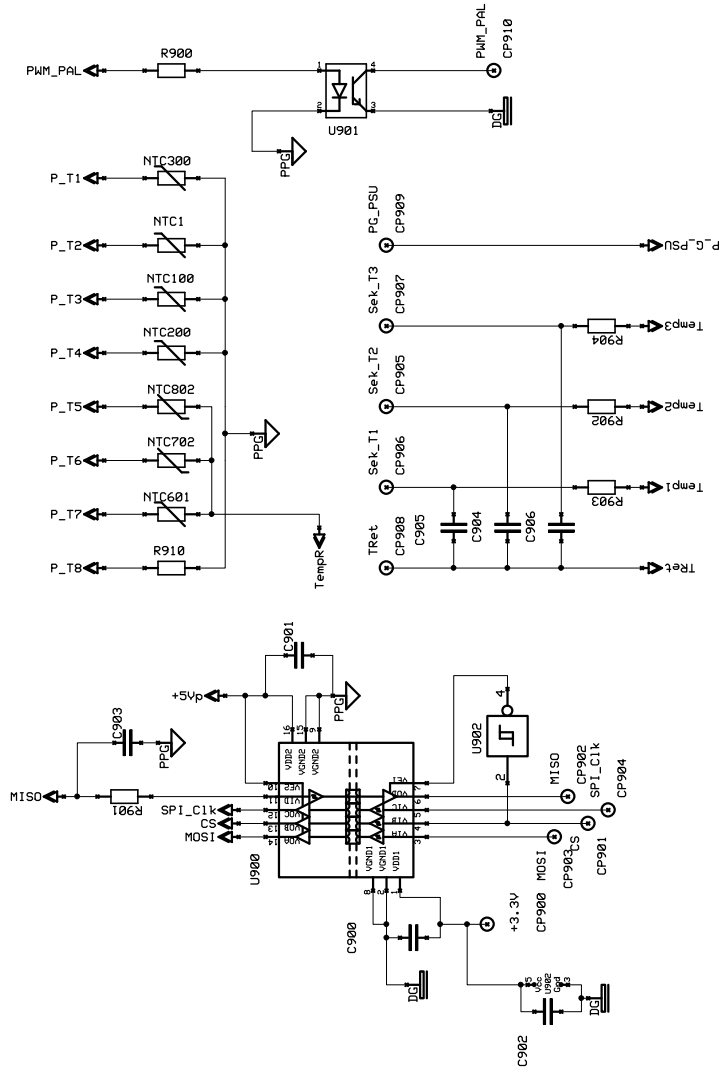


DESIGN	DRAWN	CHECKED	REPLACES	REPLACED BY
BA				
LABGRUPPEN			DATE	PAGE
KUNGSBACKA SWEDEN			DRAWING NO	

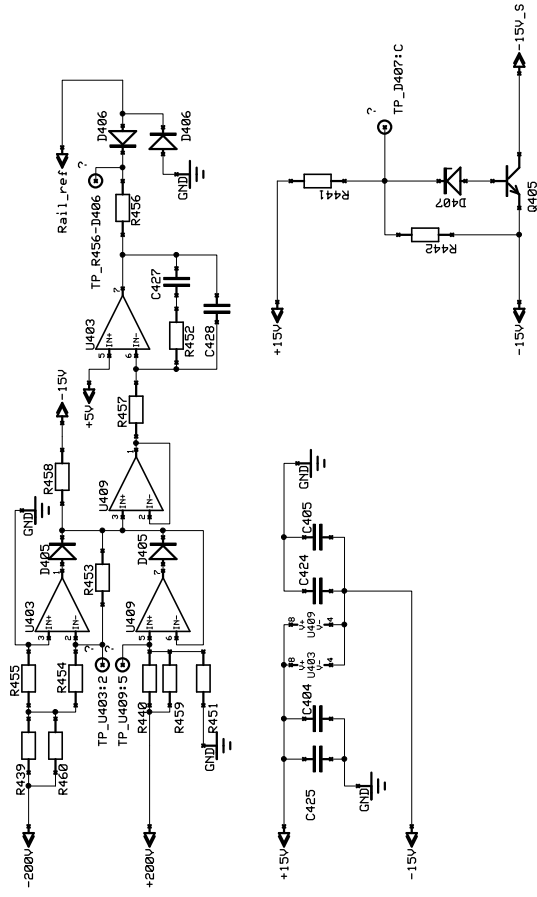
PAGES: 1



DESIGN	DRAWN	CHECKED	REPLACES	REPLACED BY
LABGRUPPEN			DATE	PAGE
KUNGSBACKA SWEDEN			DRAWING NO	
			SP01F	
			Switching Mode Power Supply 10W Flyback	



DESIGN	DRAWN	CHECKED	REPLACES	REPLACED BY
LABGRUPPEN KUNGSBACKA SWEDEN			DATE	PAGE
			DRAWING NO	



DESIGN	DRAWN	CHECKED	REPLACES	REPLACED BY
LABGRUPPEN			DATE	PAGE
			KUNGSBACKA SWEDEN	