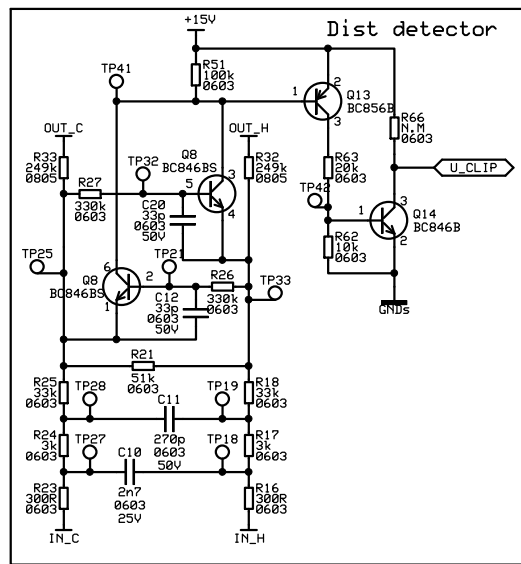
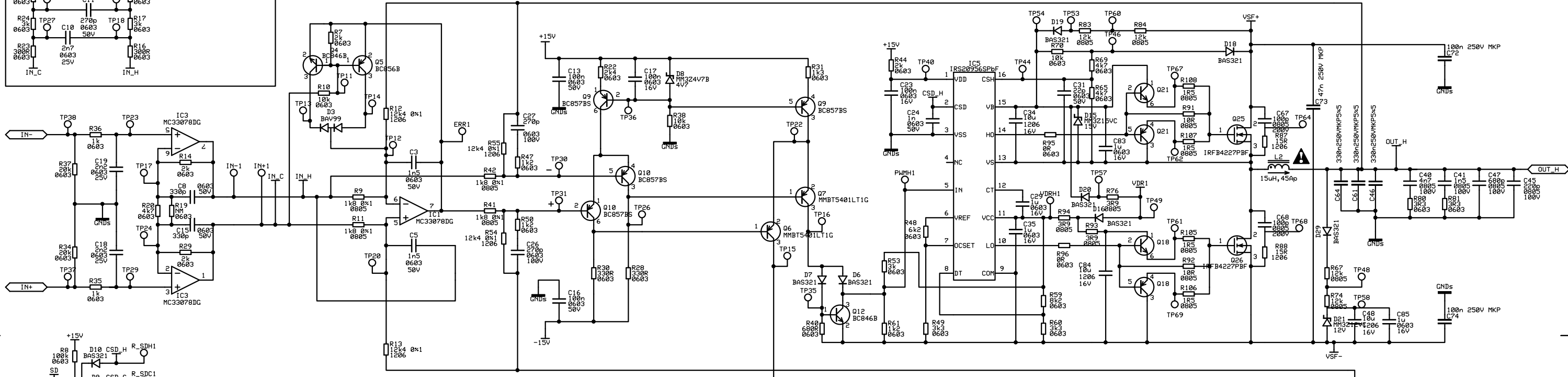


Accessories

Designed by FK	Checked by	Date 20170101	Size A3
Lab. Gruppen AB		Filename A604D-07Ba	
		Sheet	



1,35V @ 100C 27Apk









1 2 3 4 5 6 7 8

A

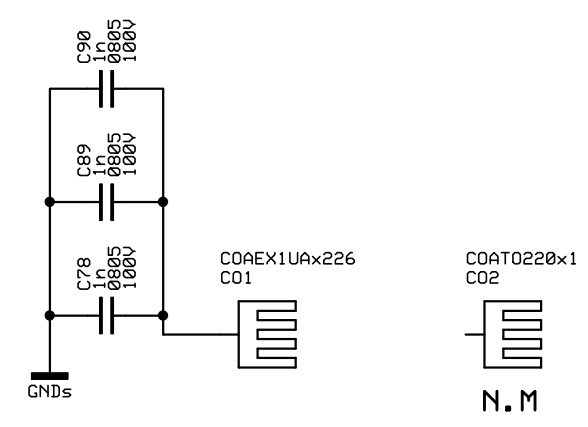
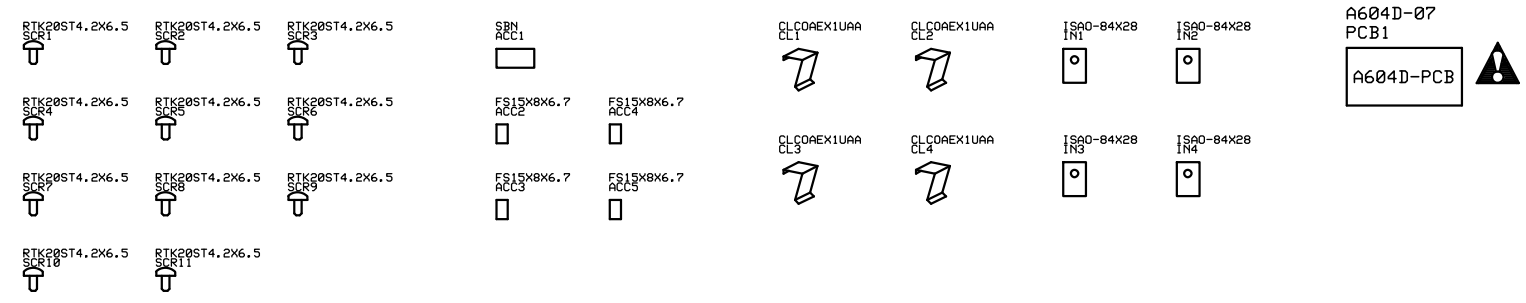
B

C

D

E

F



Designed by FK	Checked by	Date 20170101	Size A3
Lab. Gruppen AB		Filename A604D-07Ba	
		Accessories	Sheet

1 2 3 4 5 6 7 8