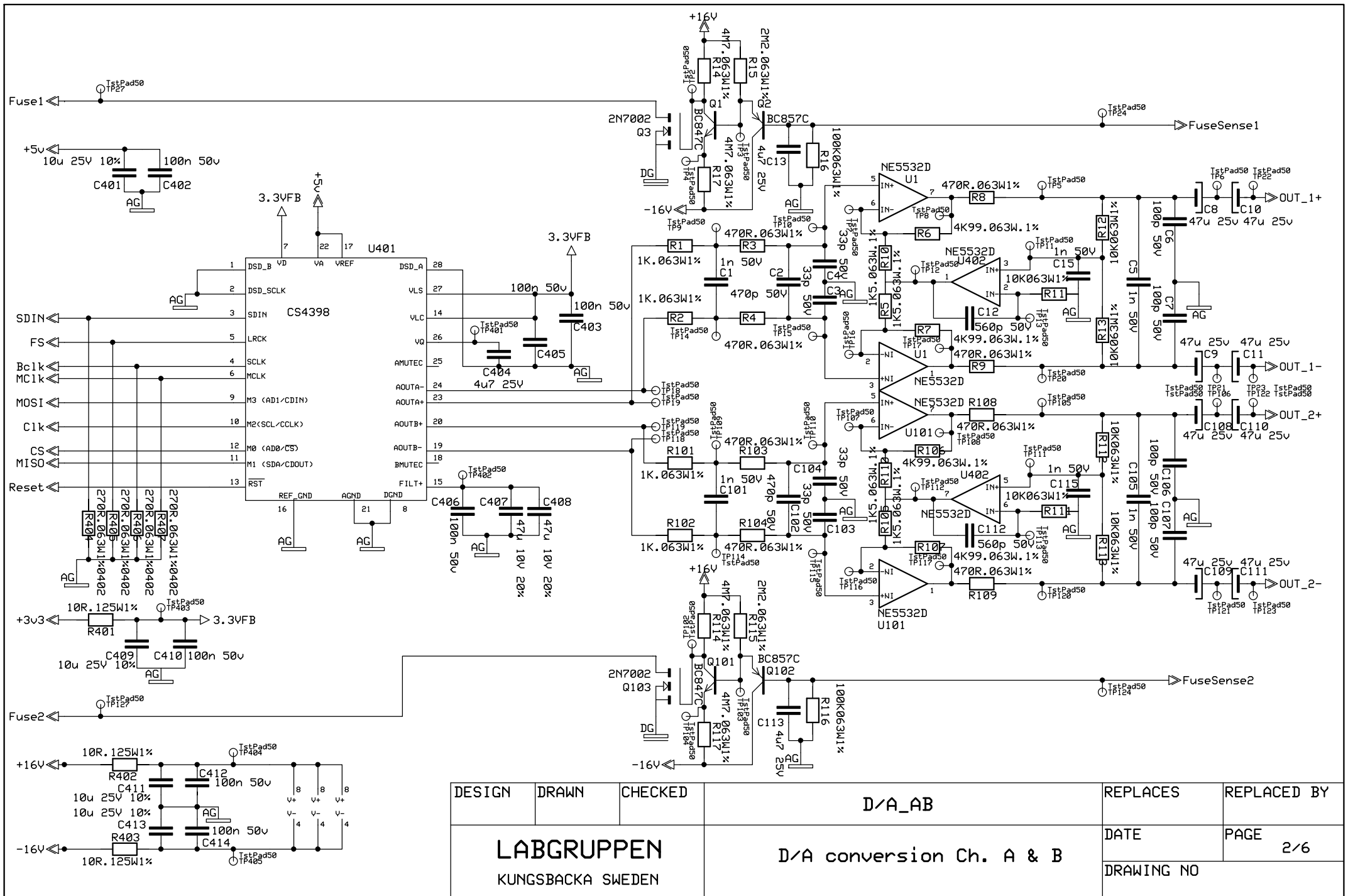
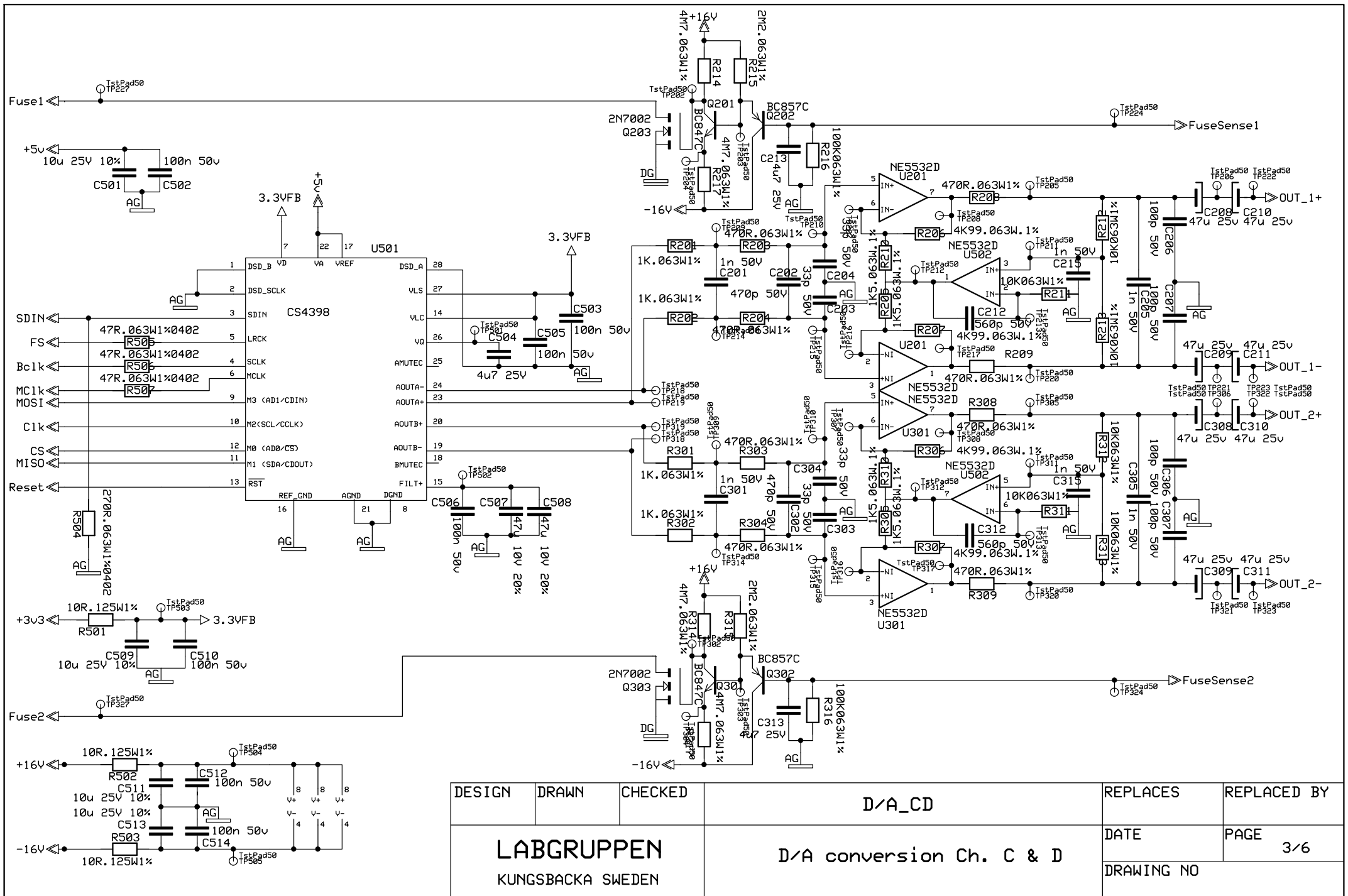


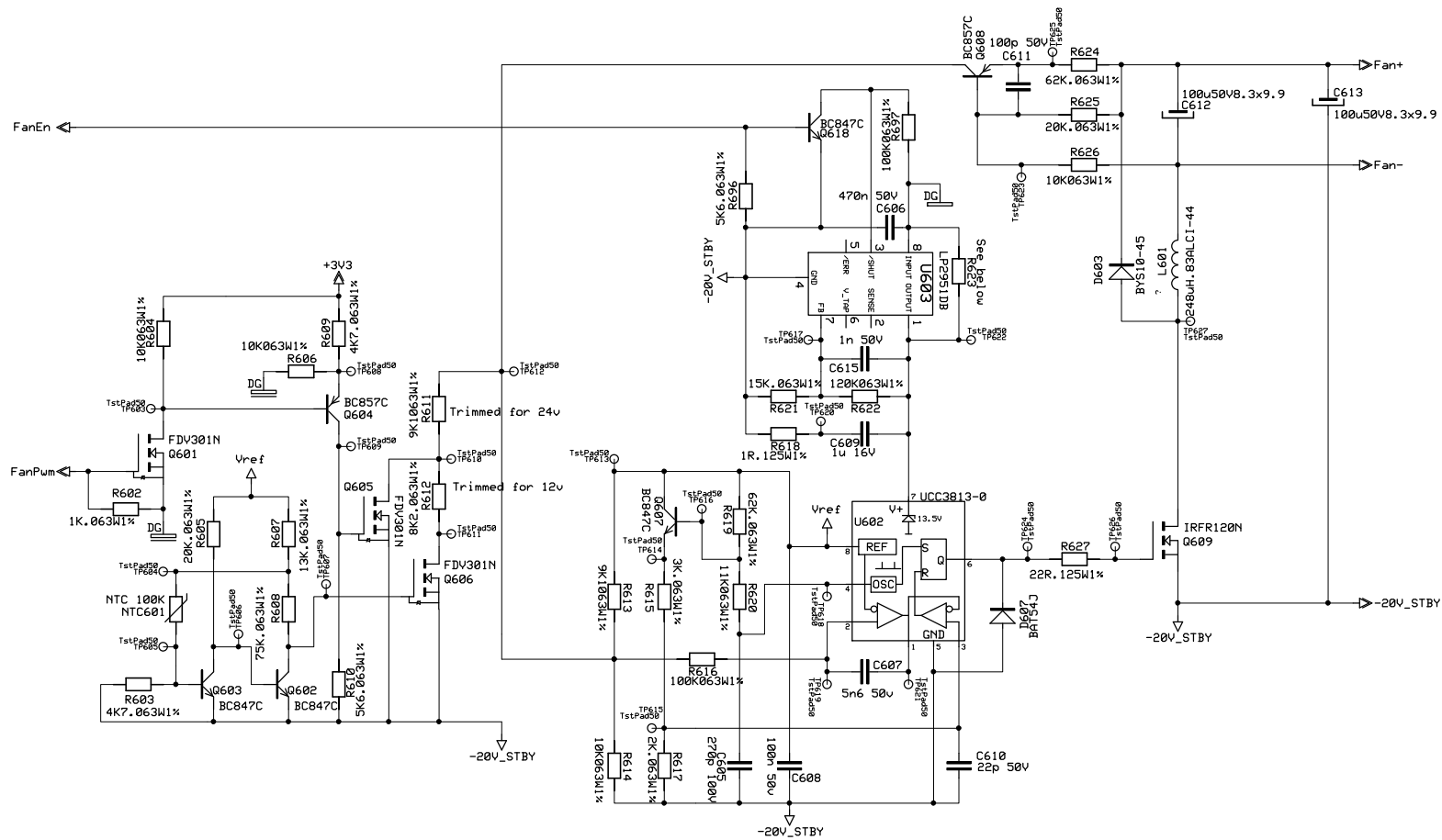
DESIGN ME-OB	DRAWN ME-OB	CHECKED	BP4DA1U	REPLACES 20171113	REPLACED BY
LABGRUPPEN			BackPlane with 4ch D/A 1 unit	DATE 20180115	PAGE 1/6
KUNGSBACKA SWEDEN				DRAWING NO BP4DA1U-04Ad	



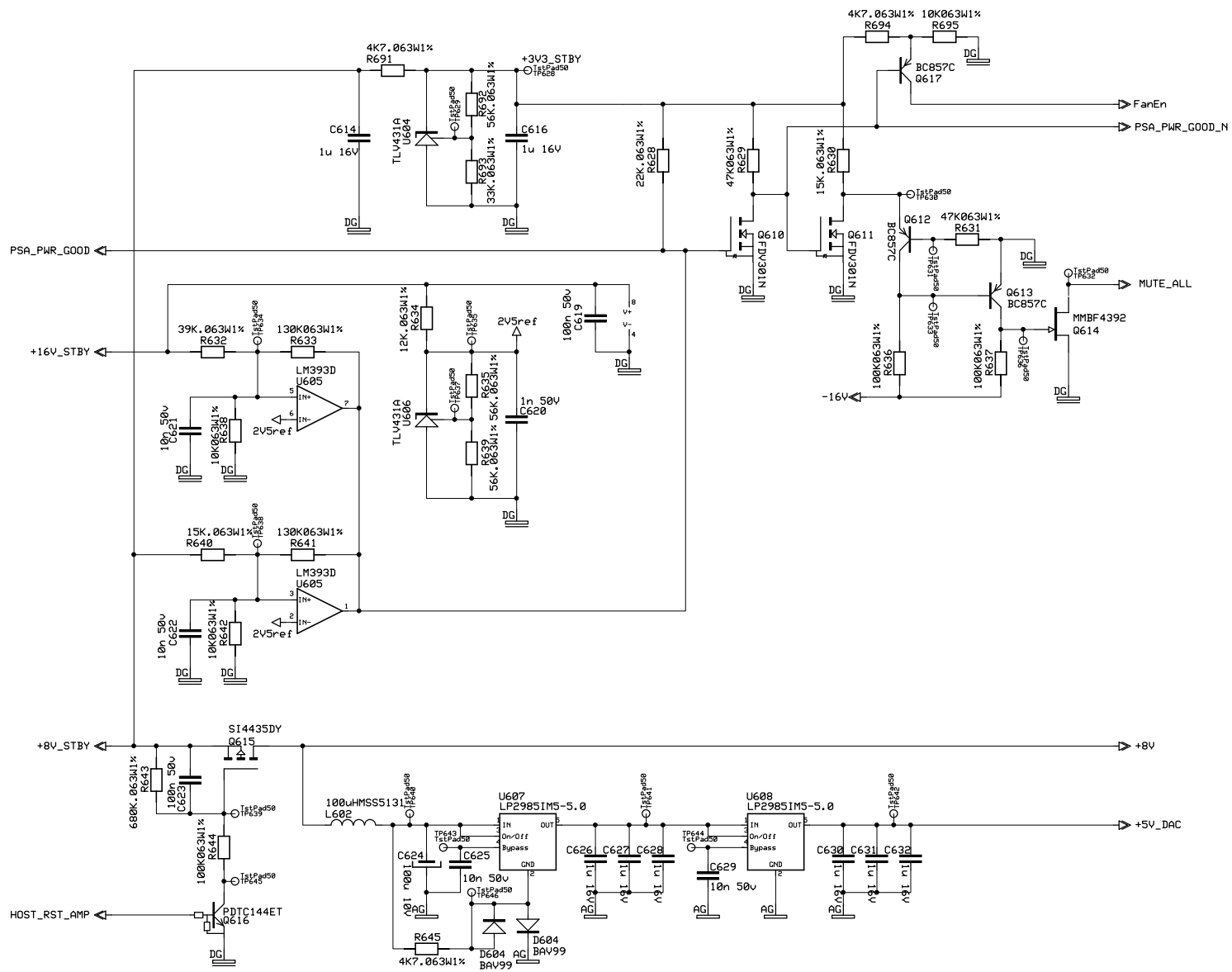
DESIGN	DRAWN	CHECKED	D/A_AB		REPLACES	REPLACED BY
LABGRUPPEN			D/A conversion Ch. A & B		DATE	PAGE
KUNGSBACKA SWEDEN					DRAWING NO	2/6



DESIGN	DRAWN	CHECKED	D/A_CD	REPLACES	REPLACED BY
LABGRUPPEN			D/A conversion Ch. C & D	DATE	PAGE
KUNGSBACKA SWEDEN				DRAWING NO	3/6



DESIGN	DRAWN	CHECKED	FanControl	REPLACES	REPLACED BY
LABGRUPPEN				DATE	PAGE
KUNGSBACKA SWEDEN			DRAWING NO		



DESIGN	DRAWN	CHECKED	PowerControl	REPLACES	REPLACED BY
LABGRUPPEN				DATE	PAGE
KUNGSBACKA SWEDEN				5/6	
			DRAWING NO		

