

Service Tips AIDA

Created by: Lab.gruppen AB Service Department
Reference no: AIDHA

Affected models

Following models are affected by this technical service tips:
iP 450

Affected boards/modules

AIDHA

Symptom

Self oscillation during switch on and off.

Solution

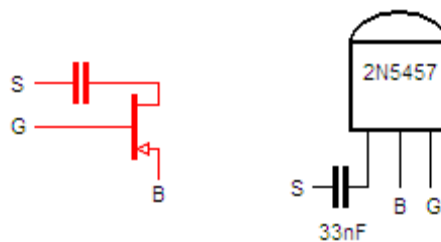
Connect the 2N5457 transistors and the 33nF capacitors as described in the schematic below.
Lift/disconnect R21 and R121 on the +18V side and wire it to ground.

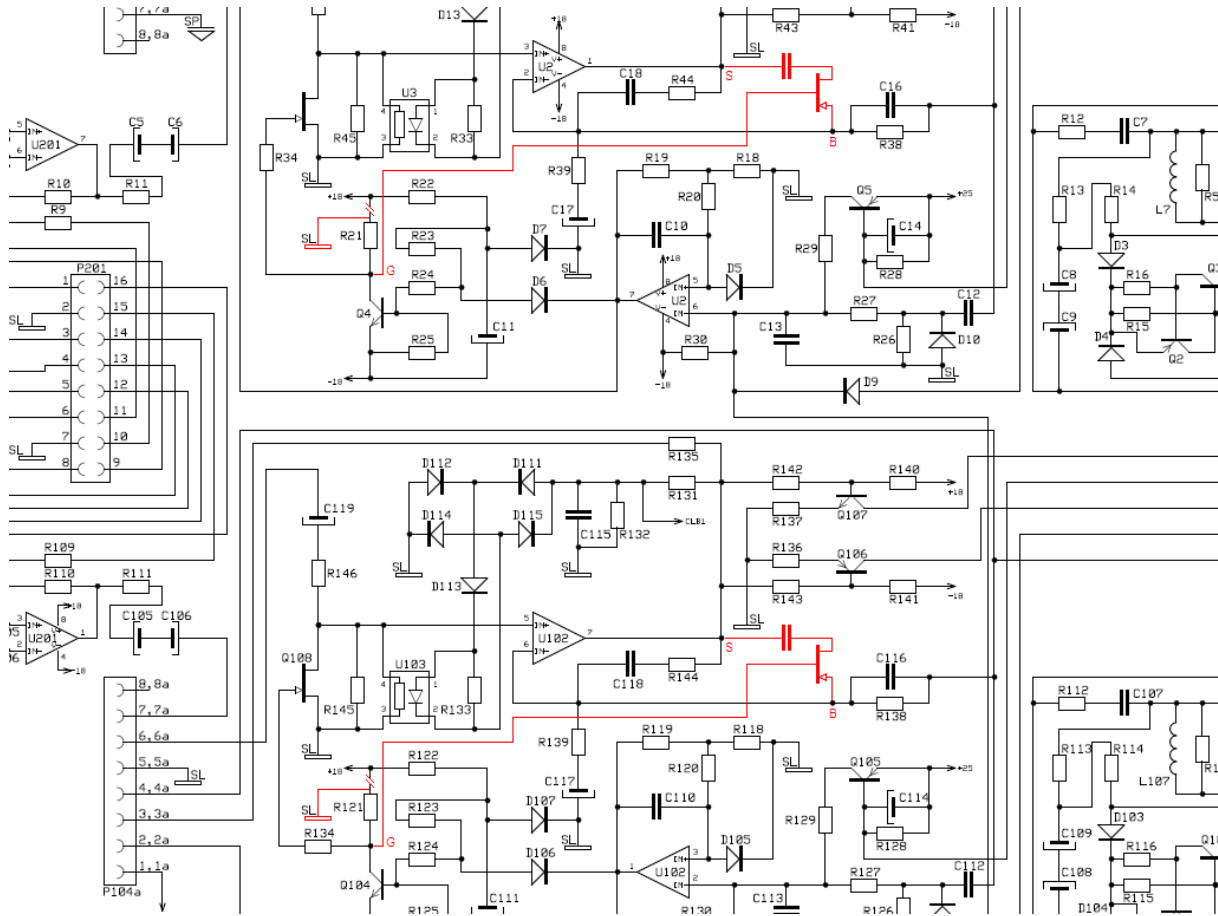
The modification in the schematic is marked in red.

S = Black wire

B = Blue wire

G = Green wire





Note

Part numbers

Model	115V part number	230V part number
iP 450	2N5457	2N5457
iP 450	33n100VMMK5	33n100VMMK5