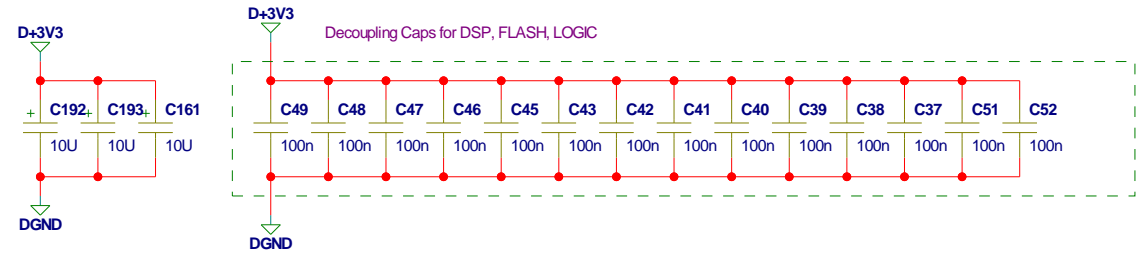
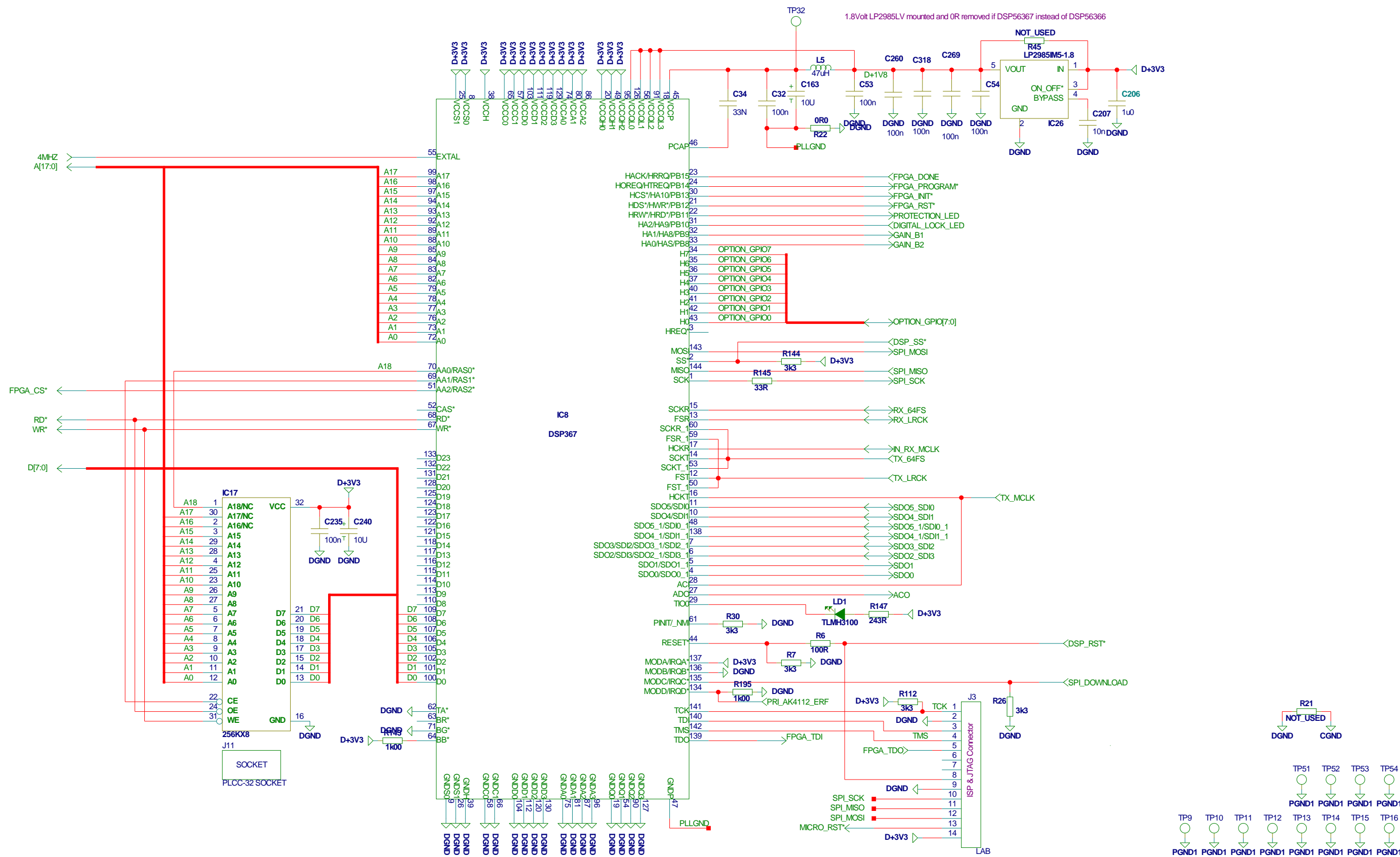
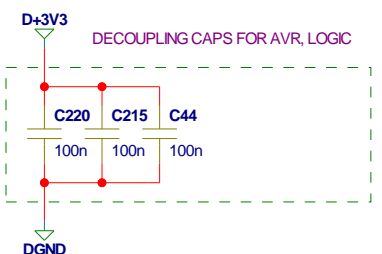
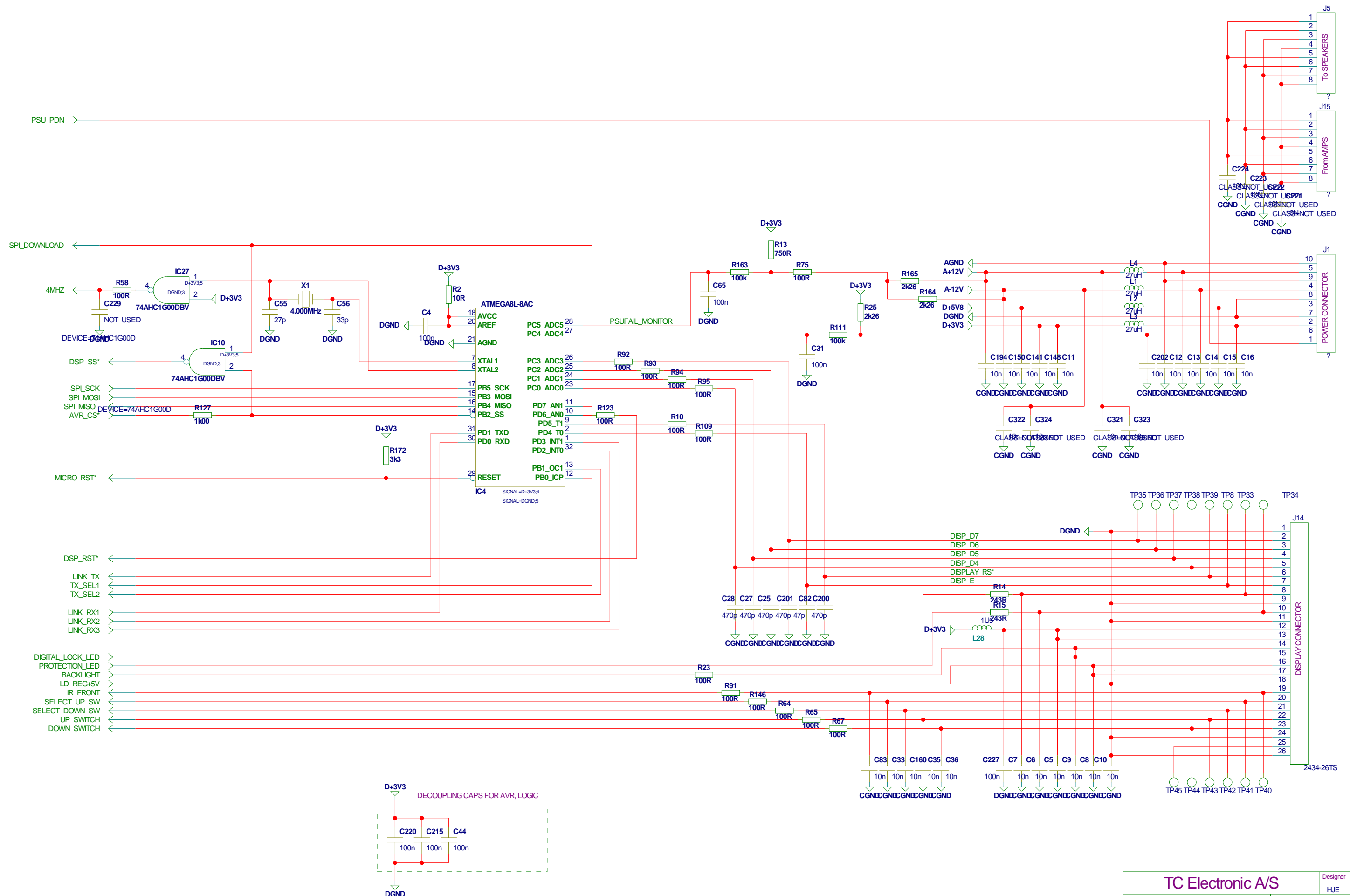


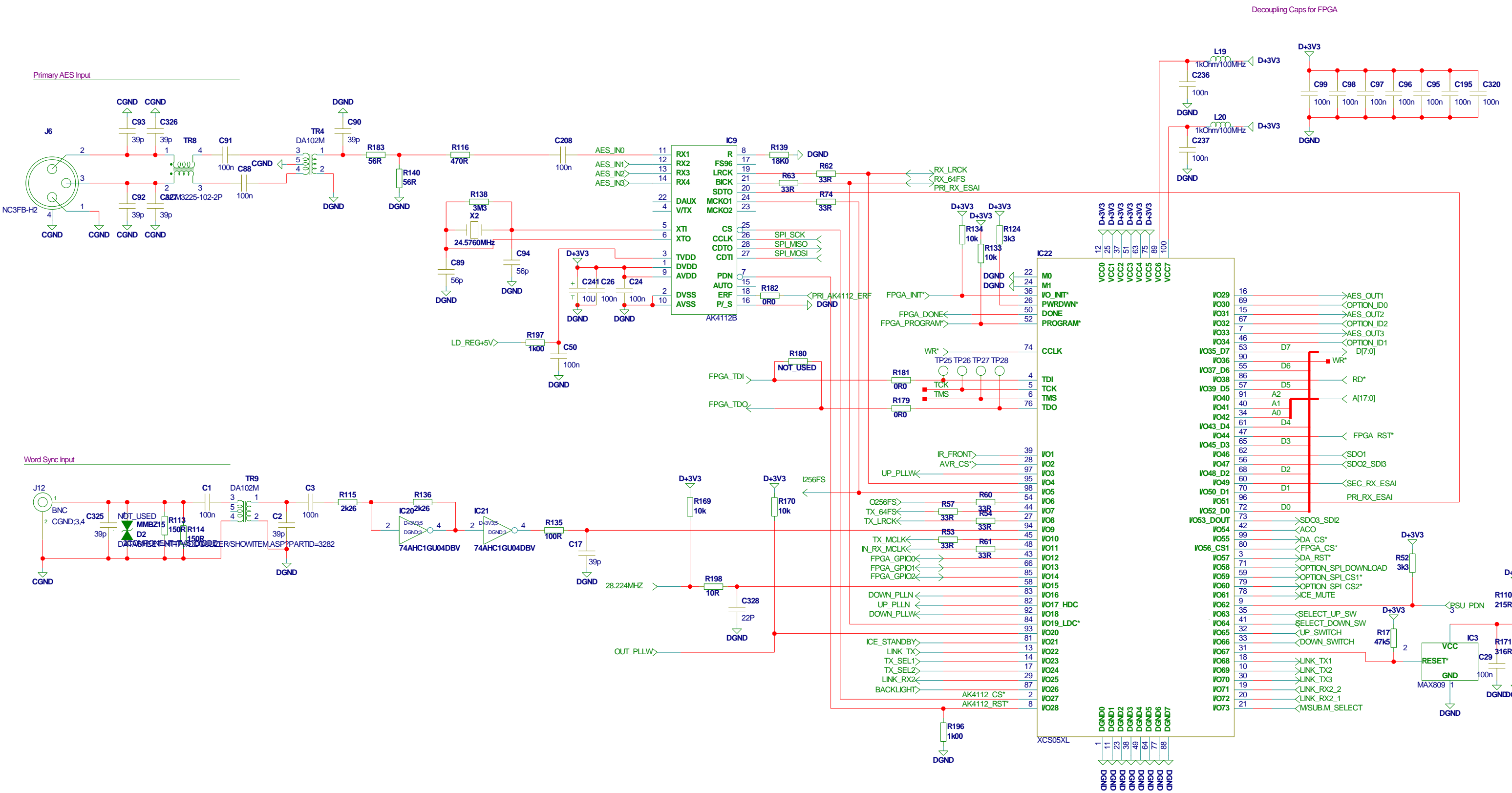
TC Electronic A/S		Designer HJE
Title OVERVIEW		Module title BEEBLEBROX MAINBOARD
Number P11400	Revision DAA	Previous page 0
Date 1-11-2007_10:00	Filename P11400_D	Page / of 1 / 10



TC Electronic A/S		Designer
		HJE
Title		Module title
DSP SECTION		BEEBLEBROX MAINBOARD
Number	Revision	Previous page
P11400	DAA	1
Date	Filenam	Page / of
1-11-2007_11:40	DSP	2 / 10



TC Electronic A/S		Designer
Module title		HJE
AVR SECTION		BEEBLEBROX MAINBOARD
Number	Revision	Previous page
P11400	DAA	2
Date	Filename	Page / of
1-11-2007_11:40	AVR	3 / 10



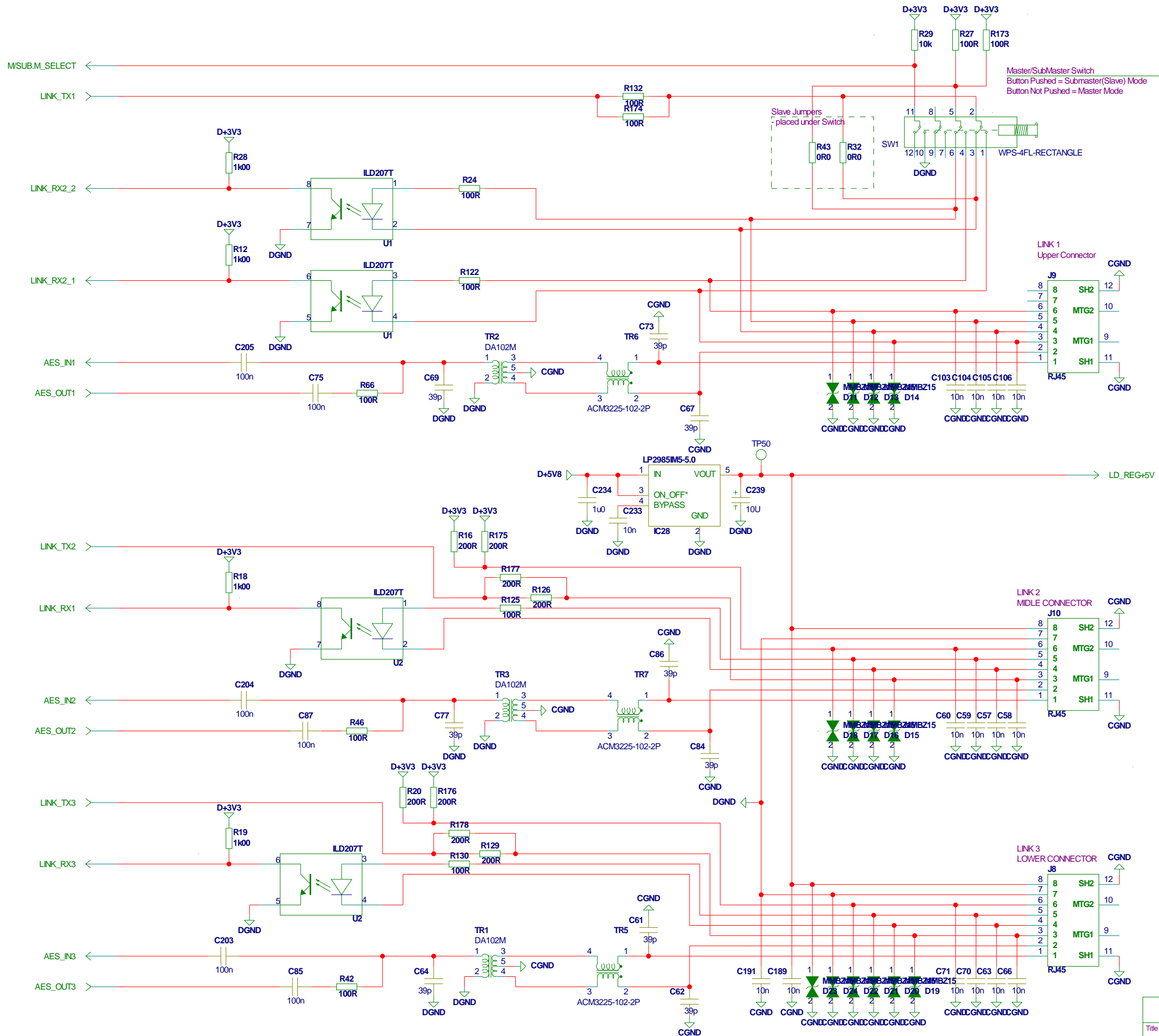
Decoupling Caps for FPGA

TC Electronic A/S

Designer: HJE / NIM

Title	Module title	
FPGA SECTION	BEEBLEBROX MAINBOARD	

Number	Revision	Previous page
P11400	DAA	3
Date	Filename	Page / of
1-11-2007_11:40	FPGA	4 / 10



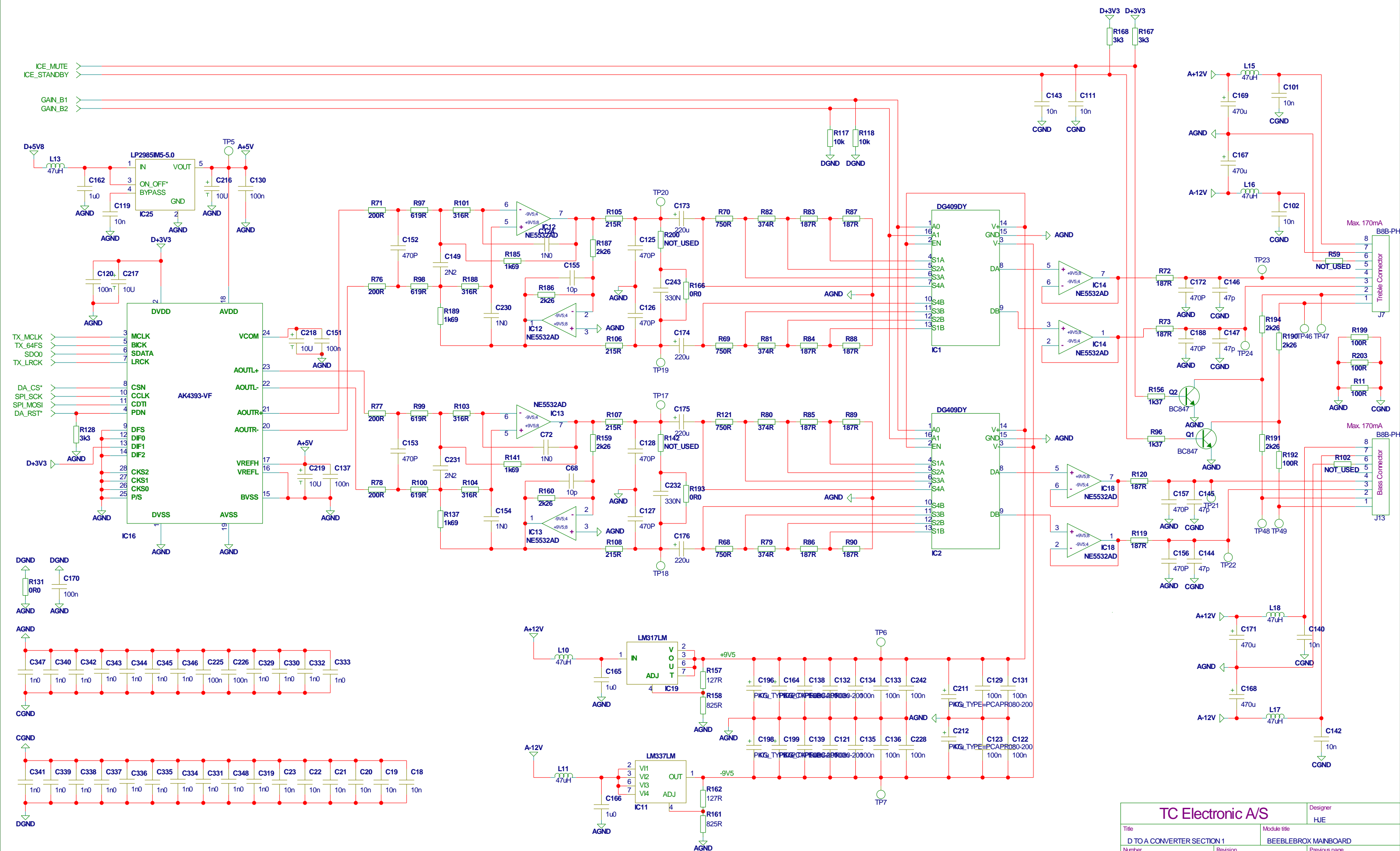
Master/SubMaster Switch
 Button Pushed = Submaster(Slave) Mode
 Button Not Pushed = Master Mode

LINK 1
 Upper Connector

LINK 2
 MIDDLE CONNECTOR

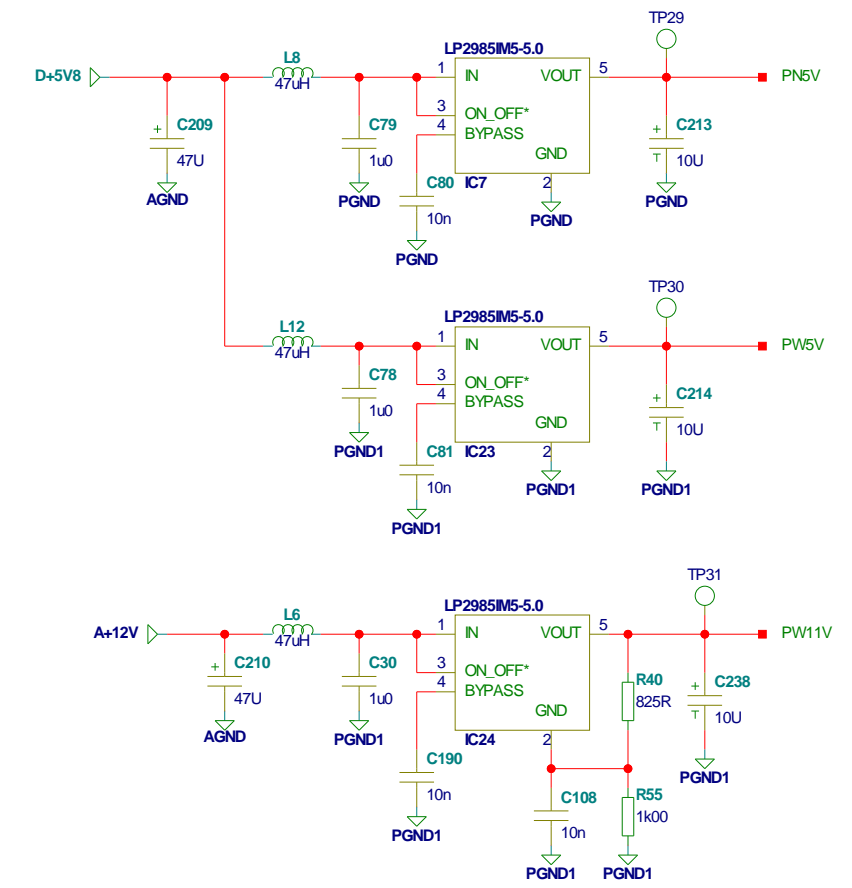
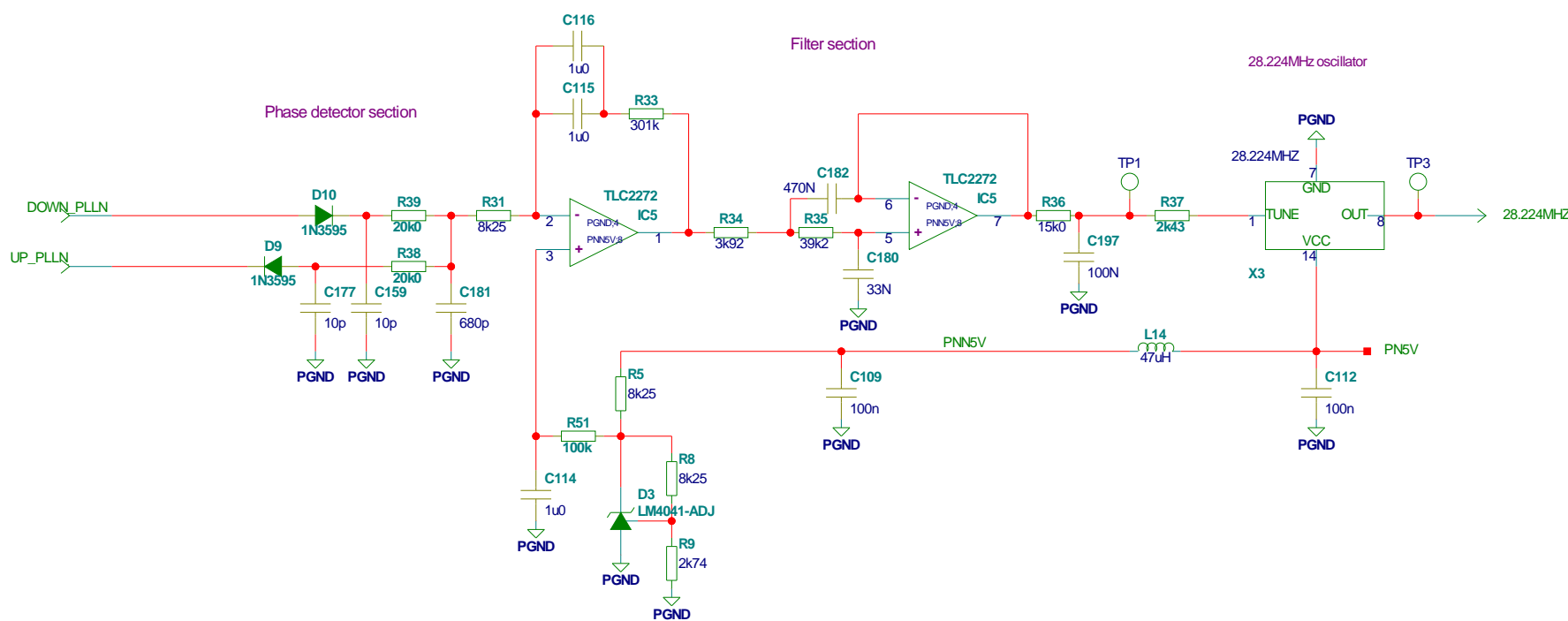
LINK 3
 LOWER CONNECTOR

TC Electronic A/S		Designer HJE
Title LINK CONNECTION SECTION		Module title BEEBLEBROX MAINBOARD
Number P11400	Revision DAA	Previous page 4
Date 1-11-2007_11:40	Filename LINK	Page / of 5 / 10

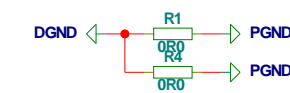
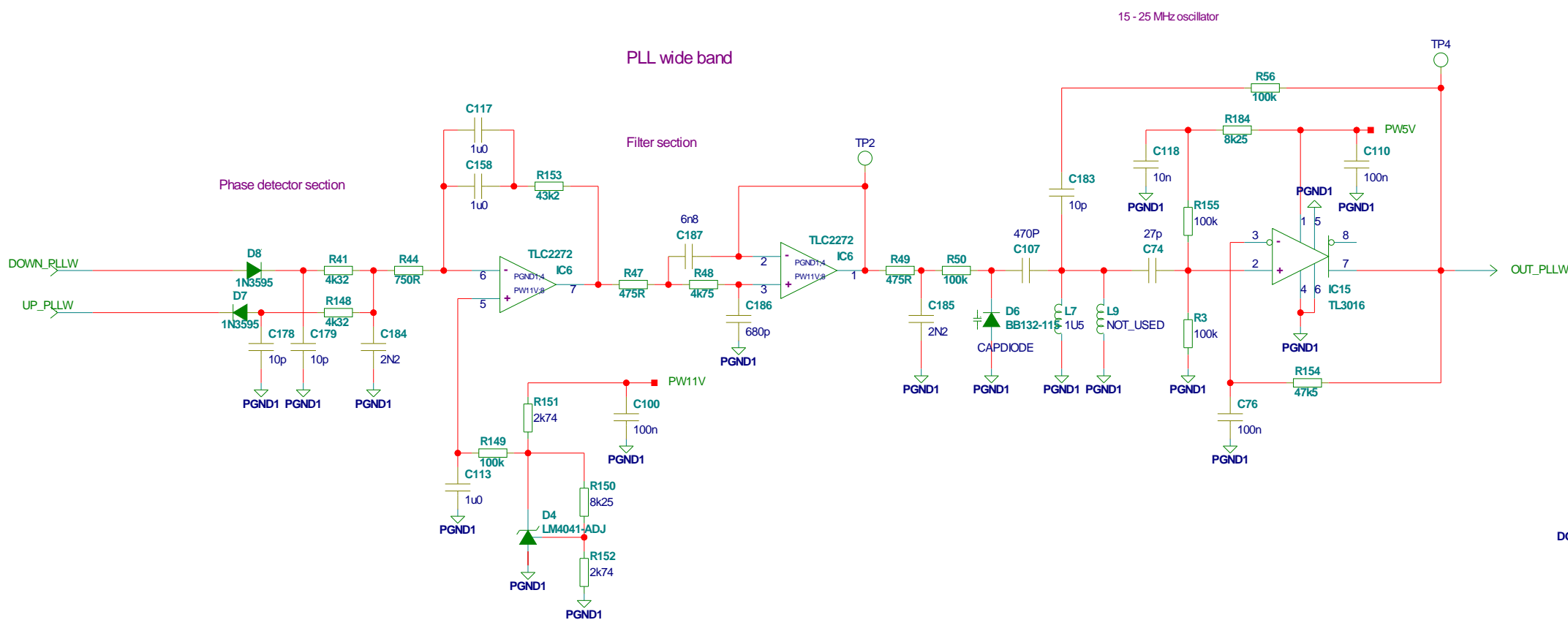


TC Electronic A/S		Designer HJE
Title D TO A CONVERTER SECTION 1	Module title BEEBLEBROX MAINBOARD	
Number P114000	Revision DAA	Previous page 5
Date 1-11-2007_11:40	Filenam DAC1	Page / of 6 / 10

PLL narrow band

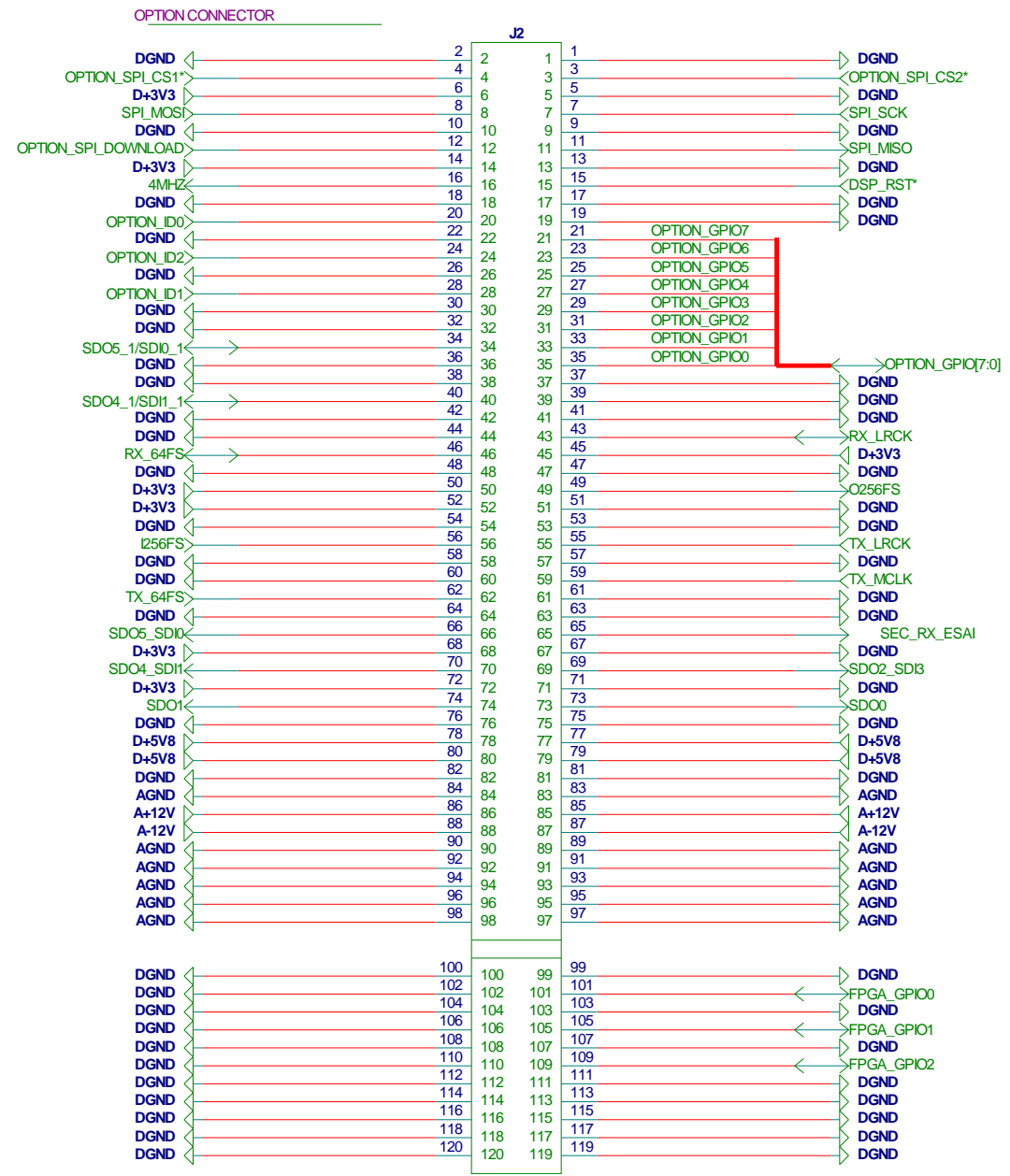


PLL wide band

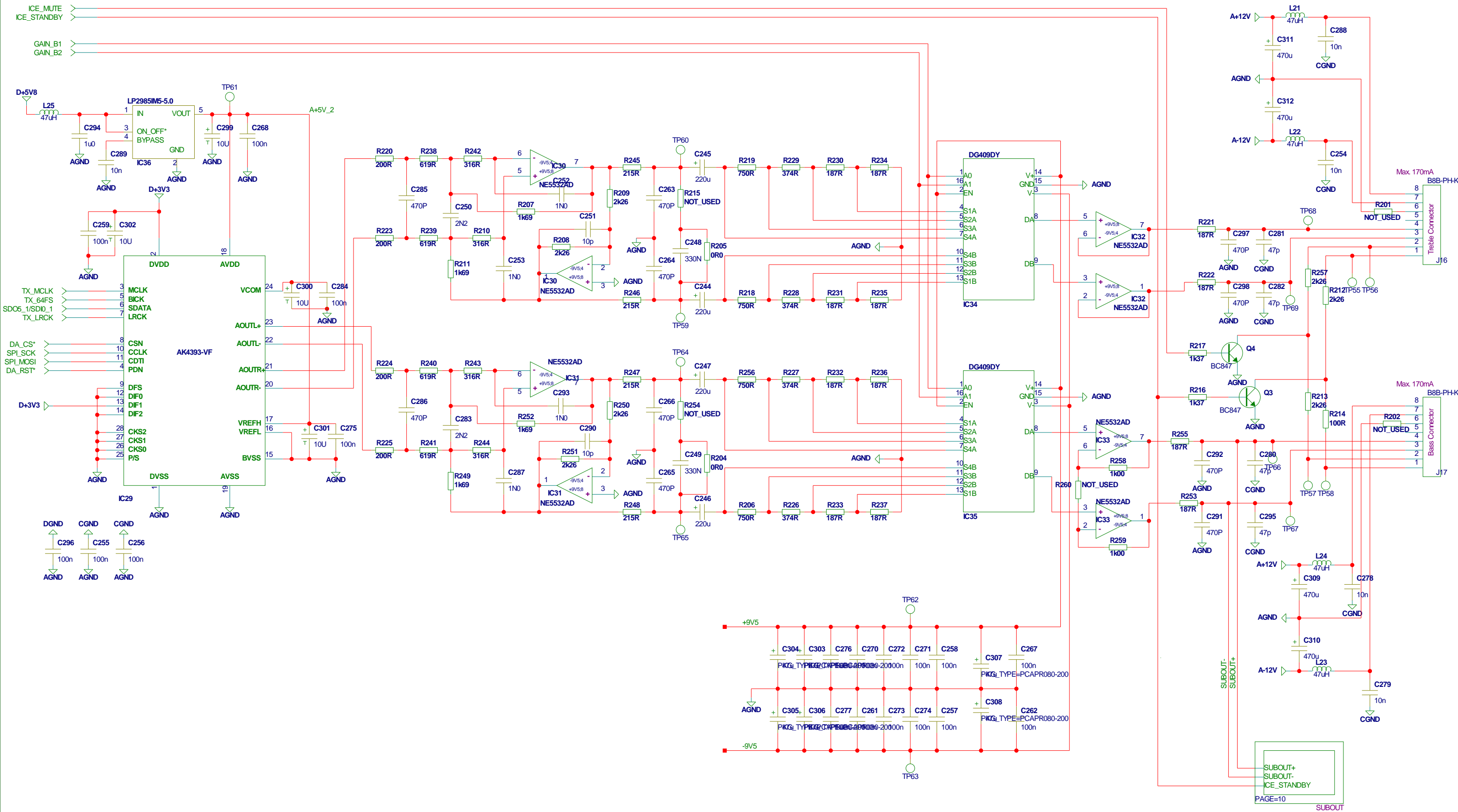


NOTICE! Components on this sheet, are NOT mounted on a slave PCB

TC Electronic A/S		Designer CGF
Title PLL SECTION		Module title BEEBLEBROX MAINBOARD
Number P11400	Revision DAA	Previous page 6
Date 1-11-2007_11:40	Filename PLL_CLK	Page / of 7 / 10



TC Electronic A/S		Designer HJE
Title OPTION CONNECTOR & MECH.		Module title BEEBLEBROX MAINBOARD
Number P11400	Revision DAA	Previous page 7
Date 1-11-2007_11:40	Filename MECH_CON	Page / of 8 / 10



SUBOUT+
 SUBOUT-
 ICE_STANDBY
 PAGE=10
 SUBOUT

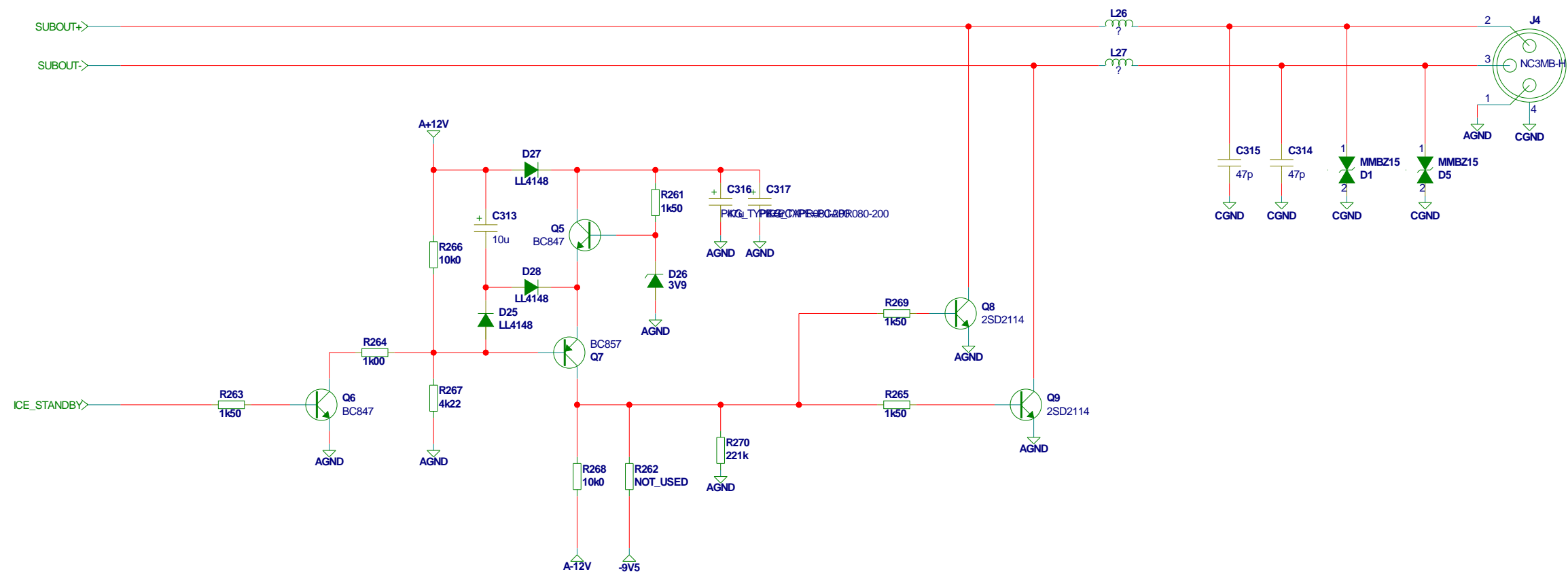
TC Electronic A/S

Designer: HJE

Title: D TO A CONVERTER SECTION 2
 Module title: BEEBLEBROX MAINBOARD

Number: P11400
 Revision: DAA
 Previous page: 5

Date: 1-11-2007_11:40
 Filename: DAC2
 Page / of: 6 / 10



TC Electronic A/S		Designer HJE
Title SUBWOOFER OUTPUT		Module title BEEBLEBROX MAINBOARD
Number P11400	Revision CAB	Previous page XX
Date 1-11-2007_11:40	Filename SUBOUT	Page / of XX / 10