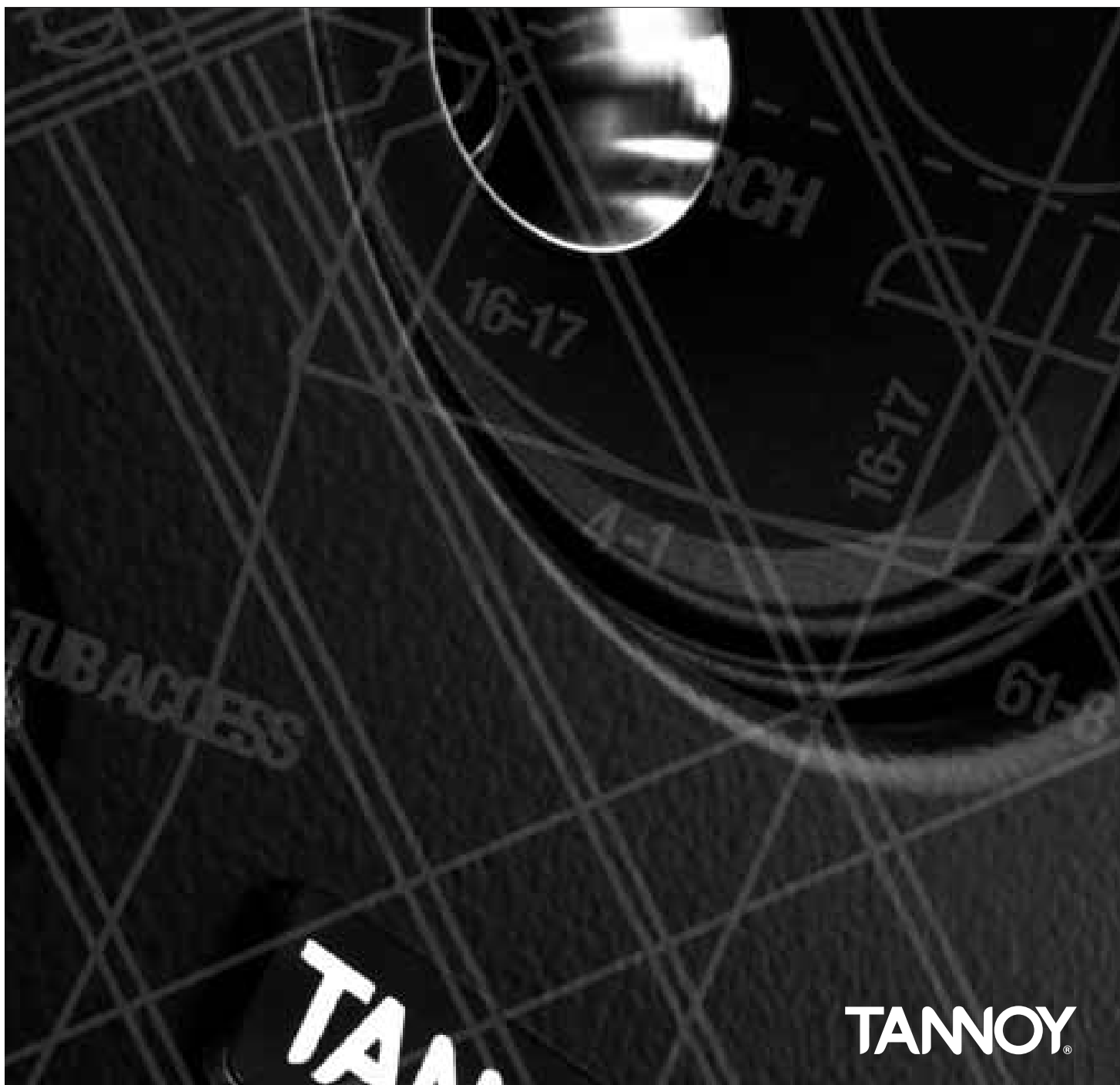


DEFINITION
INSTALL

INSTALL RANGE USER MANUAL



TANNOY®

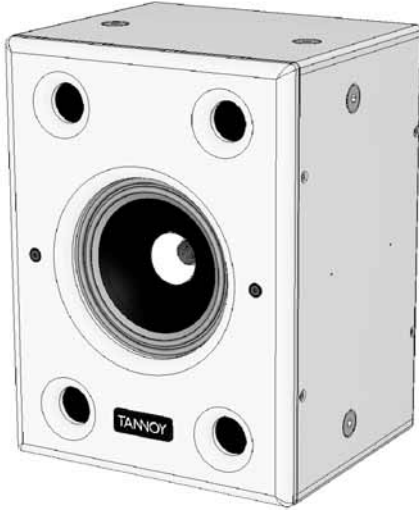
CONTENTS

2	SAFETY INSTRUCTIONS
3	PRODUCT IDENTIFICATION
3	ACCESSORIES
4	INSTALLATION GUIDELINES
5-6	PRODUCT DIMENSIONS
7-8	TECHNICAL SPECIFICATIONS
7	FULL RANGE models
8	SUBWOOFER models
9	WARRANTY STATEMENT
10	DECLARATION OF CONFORMITY

SAFETY INSTRUCTIONS

1. Read these instructions.
2. Keep these instructions.
3. Heed all warnings.
4. Follow all instructions.
5. The user is responsible for fixing the hardware to the surface to ensure safe operation. The fixings must support the weight of the product – please consult the manual’s specification page for the appropriate weights. Please consult the relevant construction codes in your region for further information on suitable hardware fixing methods.
6. Some regional construction codes require the use of a secondary method of securing loudspeakers to surfaces to provide security of a back-up support. A secondary support line should be attached from the safety loop on the rear of the product to a source point on the wall. Please consult the relevant construction codes in your region.
7. Tannoy will not be held accountable for any damage caused by incorrect installation.

PRODUCT IDENTIFICATION



FULL RANGE MODELS

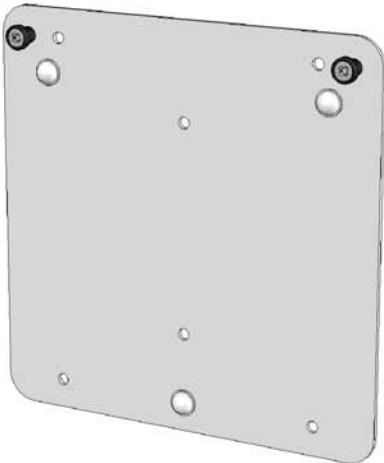
Definition DC6i
Definition DC8i
Definition DC12i



SUBWOOFER MODELS

Definition sub 12i
Definition sub 15i

ACCESSORIES



WALL BRACKET

(only supplied with full range models)

INSTALLATION GUIDELINES

SURFACE MOUNTING THE LOUDSPEAKERS:

1. Lay the loudspeaker cable from the amplifier to the location where you intend to surface mount the loudspeaker.

2. Terminate the loudspeaker cable with 4mm connectors or spade connectors.

Connect the loudspeaker to the appropriate amplifier channel.

The positive terminal on the amplifier channel (marked + or coloured red) must be connected to the positive terminal on the loudspeaker (coloured red).

The negative terminal on the amplifier channel (marked - or coloured black) must be connected to the negative terminal on the loudspeaker (coloured black).

3. Attach the bracket plate to the wall using appropriate fixings (Please consult the safety notes section of this user manual). **See Fig 1.**

4. Offer the loudspeaker up to the bracket. The speaker can be installed either landscape or portrait.

5. Attach the loudspeaker to the bracket by slotting the two bracket posts into the appropriate bracket insert points on the rear of the loudspeaker then lowering the loudspeaker down to allow it to lock onto the bracket.

See Fig 2.

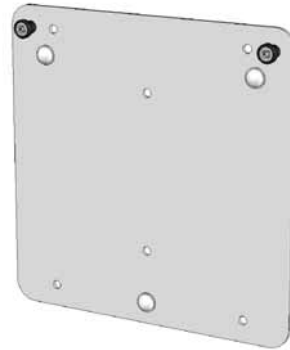


Fig 1.

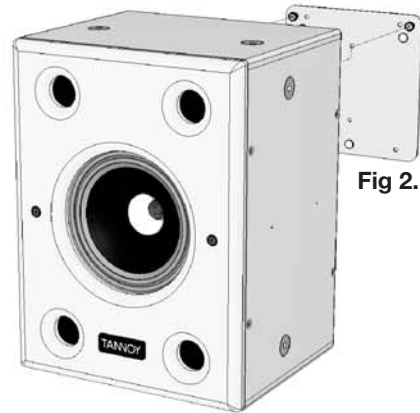
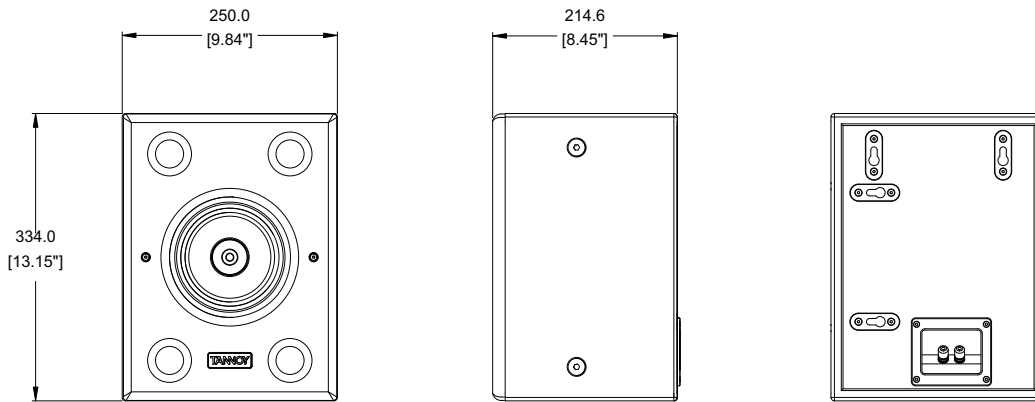


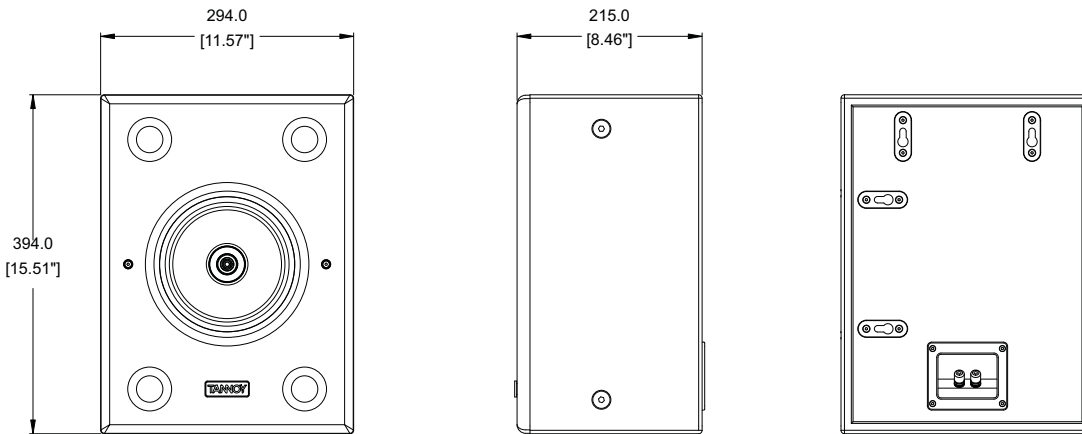
Fig 2.

PRODUCT DIMENSIONS

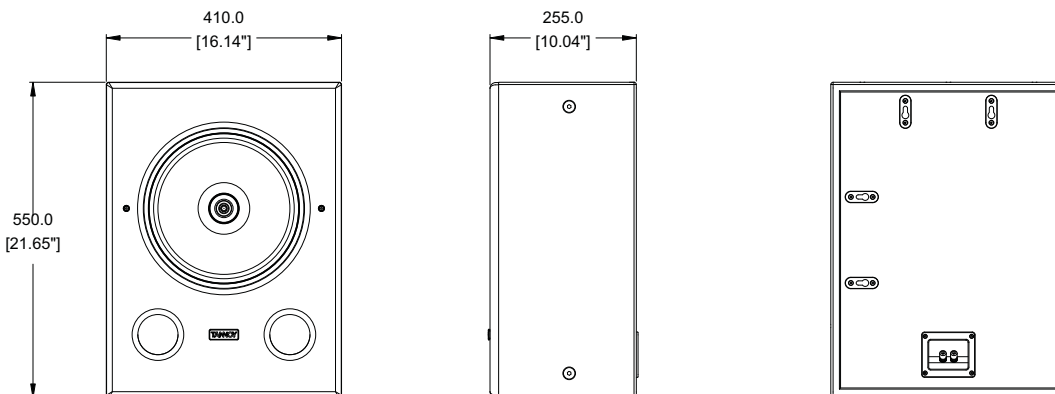
DEFINITION DC6i



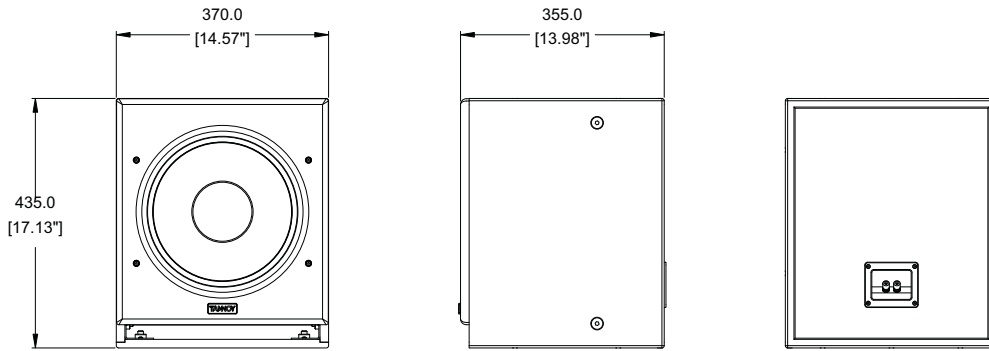
DEFINITION DC8i



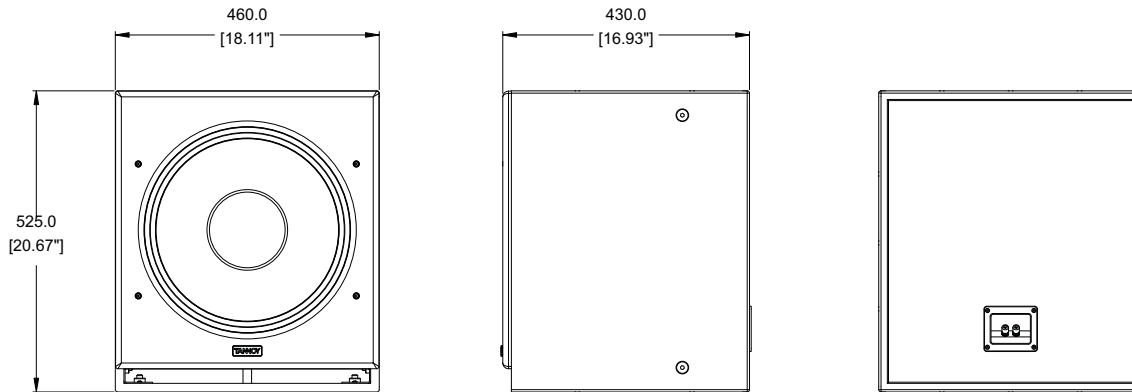
DEFINITION DC12i



DEFINITION SUB12i



DEFINITION SUB15i



TECHNICAL SPECIFICATIONS FULL RANGE MODELS

SYSTEM		DC6i	DC8i	DC12i
Frequency Response (-3dB) ⁽¹⁾		85Hz - 35kHz	80Hz - 35kHz	67Hz - 25kHz
Frequency Range (-10dB) ⁽¹⁾		70Hz - 45kHz	62Hz - 45kHz	50Hz - 38kHz
System Sensitivity (1W @1m) ⁽²⁾		90dB (1W = 2.83V for 8 ohms)	92dB (1W = 2.83V for 8 ohms)	97dB (1W = 2.83V for 8 ohms)
Dispersion (-6dB)		90 degrees conical	90 degrees conical	90 degrees conical
Directivity Factor (Q)		4.5 averaged 1kHz to 10kHz	5.7 averaged 1kHz to 10kHz	6.0 averaged 1kHz to 10kHz
Directivity Index (DI)		6.4 averaged 1kHz to 10kHz	7.0 averaged 1kHz to 10kHz	7.4 averaged 1kHz to 10kHz
Power Handling ⁽²⁾	Average	100W	130W	200W
	Programme	200W	260W	400W
	Peak (10ms)	400W	520W	800W
Recommended Amplifier Power		200W @ 8 Ohms	260W @ 8 Ohms	400W @ 8 Ohms
Rated Maximum SPL⁽²⁾	Average	110dB	113dB	120dB
	Peak	116dB	119dB	126dB
Nominal Impedance		8 Ohms	8 Ohms	8 Ohms
Driver Complement		1 x 150mm (6.00") constant directivity Dual Concentric™	1 x 200mm (8.00") constant directivity Dual Concentric™	1 x 300mm (12.00") constant directivity Dual Concentric™
Crossover		Passive 1.6kHz with dynamic HF protection	Passive 1.7kHz with dynamic HF protection	Passive 1.4kHz with dynamic HF protection
Distortion 10% Full Power		(8.94V) 2nd Harmonic 3rd Harmonic	(10.2V) 2nd Harmonic 3rd Harmonic	(12.65V) 2nd Harmonic 3rd Harmonic
	250Hz	2.40% 0.46%	0.40% 0.35%	0.53% 0.35%
	1kHz	0.20% 0.53%	0.28% 0.66%	2.36% 1.88%
	10kHz	1.19% 0.19%	1.50% 0.35%	2.68% 0.16%
Distortion 1% Full Power		(2.83V) 2nd Harmonic 3rd Harmonic	(3.22V) 2nd Harmonic 3rd Harmonic	(4V) 2nd Harmonic 3rd Harmonic
	250Hz	0.48% 0.37%	0.11% 0.15%	0.17% 0.09%
	1kHz	0.01% 0.24%	0.12% 0.34%	0.52% 0.99%
	10kHz	0.46% 0.07%	0.51% 0.17%	0.96% 0.02%
CONSTRUCTION				
Enclosure		MDF, vented and internally braced		
Finish		Textured black		
		2 x 4mm Gold Plated binding posts		
Fittings		8 x M10 bracket inserts, 4 x wallplate keyhole fixings, allowing landscape or portrait mounting orientation, 1 x Wall plate		
Dimensions (H x W x D)		334mm x 250mm x 214mm (13.5" x 9.84" x 8.45")	394mm x 294mm x 215mm (15.51" x 11.57" x 8.46")	550mm x 410mm x 255mm (21.65" x 16.14" x 10.04")
Weight		7kg (15.4lbs)	9.5kg (20.9 lbs)	20kg (44 lbs)

Notes ⁽¹⁾ Average over stated bandwidth. Measured on axis in half space.

⁽²⁾ Long term power handling capacity as defined in EIA standard RS-426A.

A full range of measurements, performance data, and Ease™ Data can be downloaded from www.tannoy.com. Tannoy operates a policy of continuous research and development. The introduction of new materials or manufacturing methods will always equal or exceed the published specifications, which Tannoy reserves the right to alter without prior notification.

TECHNICAL SPECIFICATIONS SUBWOOFER MODELS

SYSTEM		SUB12i		SUB15i	
System Type		Subwoofer - Direct Radiating		Subwoofer - Direct Radiating	
Frequency Response (-3dB) ⁽¹⁾		48Hz		47Hz	
Frequency Range (-10dB) ⁽¹⁾		38Hz		36Hz	
System Sensitivity (1W @ 1m) ⁽¹⁾		94dB (1W = 2.83V for 8 ohms)		96dB (1W = 2.83V for 8 ohms)	
Power Handling ⁽²⁾	Average	400W		600W	
	Programme	800W		1200W	
	Peak (10ms)	1600W		2400W	
Recommended Amplifier Power		400 - 800W @ 8 Ohms		600 - 1200W @ 8 Ohms	
Rated Maximum SPL ⁽²⁾	Average	120dB		124dB	
	Peak	126dB		130dB	
Nominal Impedance		8 Ohms		8 Ohms	
Driver Complement		1 x 300mm (12.00") Bass driver		1 x 380mm (15.00") Bass driver	
Recommended Crossover		80Hz - 300Hz, 24dB/octave		70Hz - 300Hz, 24dB/octave	
Recommended High-pass filter		40Hz, 24dB/octave		35Hz, 24dB/octave	
Distortion 10% Full Power		(17.9V) 2nd Harmonic	3rd Harmonic	(21.9V) 2nd Harmonic	3rd Harmonic
	40Hz	0.28%	2.26%	0.83%	0.68%
	100Hz	0.29%	0.60%	0.23%	0.44%
Distortion 1% Full Power		(5.9V) 2nd Harmonic	3rd Harmonic	(6.9V) 2nd Harmonic	3rd Harmonic
	40Hz	2.00%	0.15%	0.44%	0.28%
	100Hz	0.009%	0.124%	0.15%	0.15%

CONSTRUCTION

Enclosure	Front 36mm (1 ³ / ₈ ") other panels 15mm (5/ ₈ ") MDF internally braced.	
Volume	38 litres	76 litres
Finish	Black paint	
Connectors	2 x 4mm Gold Plated binding posts with screw terminals and "loop through" facility	
Fittings	8 x M10 inserts, 4 x Rubber feet (not fitted)	
Dimensions (H x W x D)	435mm x 370mm x 355mm (17.1" x 14.6" x 14.0")	525mm x 460mm x 430mm (20.7" x 18.1" x 16.9")
Weight	21kg (46.3lbs)	30kg (66.1lbs)

Notes ⁽¹⁾ Measured on axis in half space.

⁽²⁾ Unweighted pink noise input measured in an IEC baffle in an anechoic chamber. If the loudspeaker is installed in a false wall near a corner ($\pi/2$) an increase of 6dB in sensitivity and maximum SPL can be realised.

A full range of measurements, performance data, and Ease™ Data can be downloaded from www.tannoy.com. Tannoy operates a policy of continuous research and development. The introduction of new materials or manufacturing methods will always equal or exceed the published specifications, which Tannoy reserves the right to alter without prior notification.

WARRANTY STATEMENT

No maintenance of the Definition loudspeaker is necessary.

All of our products have been produced and tested with care and precision to give first-class service.

All passive components are guaranteed for a period of five years from the date of purchase from an authorised Tannoy dealer subject to the absence or evidence of misuse, overload, or accidental damage.

All active and electronic components are guaranteed for a period of one year from the date of purchase from an authorised Tannoy dealer subject to the absence of, or evidence of, misuse, overload or accidental damage.

If at any time during this warranty period the equipment proves to be defective for any reason other than accident, misuse, neglect, unauthorised modification or fair wear and tear, we will repair any such manufacturing defect or, at our option, replace it without charge for labour, parts or return carriage.

If you suspect a problem with a Tannoy product then, in the first instance, discuss it with your Tannoy dealer. If you require further assistance then we ask that you deal directly with your local Tannoy distributor. If you cannot locate your distributor please contact Customer Services, Tannoy Ltd at the address given below.

Customer Services, Tannoy Ltd., Rosehall Industrial Estate, Coatbridge, Strathclyde ML5 4TF, Scotland

Telephone: 01236 420199 (National)
+44 1236 420199 (International)
Fax: 01236 428230 (National)
+44 1236 428230 (International)
E-mail: enquiries@tannoy.com

DO NOT SHIP ANY PRODUCT TO TANNOY WITHOUT PREVIOUS AUTHORISATION

Our policy commits us to incorporating improvements to our products through continuous research and development. Please confirm current specifications for critical applications with your supplier.

DECLARATION OF CONFORMITY

The following apparatus is manufactured in the UK at Tannoy Ltd of Rosehall Industrial Estate, Coatbridge, Scotland, ML5 4TF and conform(s) to the protection requirements of the European Electromagnetic Compatibility Standards and Directives relevant to Domestic Electrical Equipment. The apparatus is designed and constructed such that electromagnetic disturbances generated do not exceed levels allowing radio and telecommunications equipment and other apparatus to operate as intended, and, the apparatus has an adequate level of intrinsic immunity to electromagnetic disturbance to enable operation as specified and intended.

Details of the Apparatus: Tannoy Contractor Loudspeaker
Model Number: Definition

Associated Technical File: EMCi6

Applicable Standards: EN 50081-1 Emission
EN 50082-1 Immunity



Signed:

Position: Director of Engineering (Professional)
Date: 07th Feb. 07

Tannoy United Kingdom	T: 00 44 (0) 1236 420199	E: enquiries@tannoy.com
Tannoy North America	T: 00 1 (519) 745 1158	E: inquiries@tannoyna.com
Tannoy Deutschland	T: 00 49 (180) 1111 881	E: info@tannoy.com
Tannoy France	T: 00 33 (0)1 7036 7473	E: ventes@tannoy.com



Tannoy adopts a policy of continuous improvement and product specification is subject to change.

tannoy[®].com