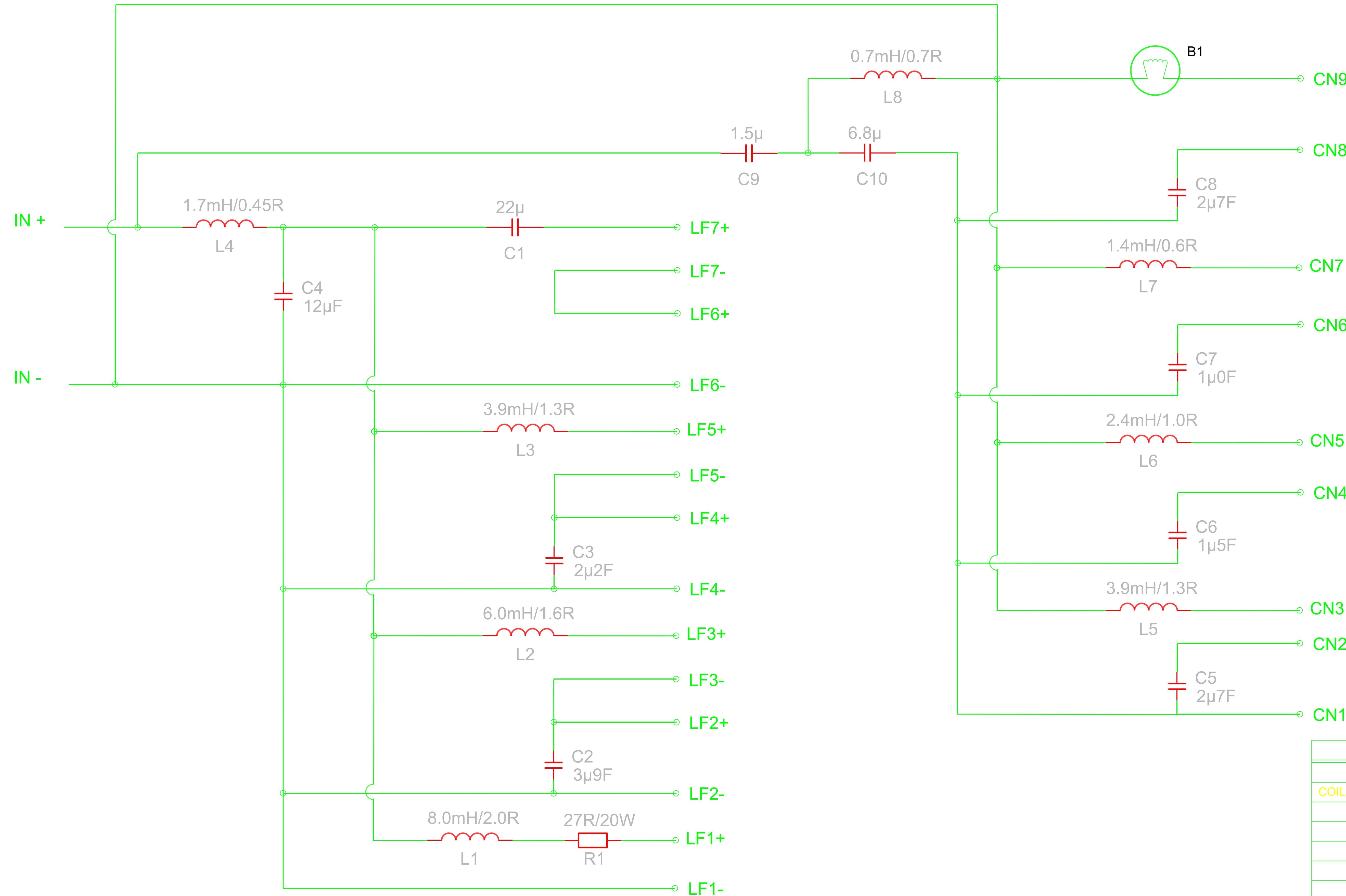


SCHEMATIC DIAGRAM



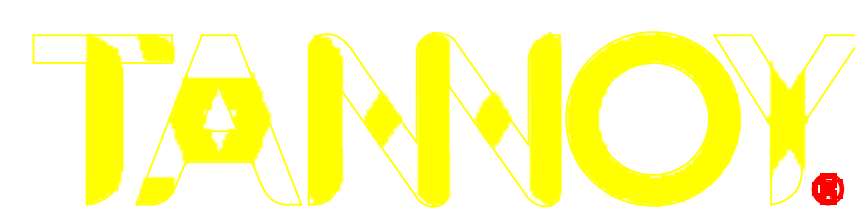
LAMINATED CORE INDUCTORS : ALL L41x6x6mm
EXCEPT L4 : L41x8x8mm

SUBJECT TO SAMPLE APPROVAL BY TANNOY

ITEM	DESCRIPTION	QTY	
COIL	L1	8.0mH/5% LAMINATED IRON CORE, DCR<2.0 OHM	1
	L2	6.0mH/5% LAMINATED IRON CORE, DCR<1.6 OHM	1
	L3	3.9mH/5% LAMINATED IRON CORE, DCR<1.3 OHM	1
	L4	1.7mH/5% LAMINATED IRON CORE, DCR<0.45 OHM	1
	L5	3.9mH/5% LAMINATED IRON CORE, DCR<1.3 OHM	1
	L6	2.4mH/5% LAMINATED IRON CORE, DCR<1.0 OHM	1
	L7	1.4mH/5% LAMINATED IRON CORE, DCR<0.6 OHM	1
	L8	0.7mH/5% AIR CORE, DCR<0.7 OHM	1
CAPACITOR	C1	22uF MKT, 100Vdc, 5%	1
	C2	3u9F MKT, 100Vdc, 5%	1
	C3	2u2F MKT, 100Vdc, 5%	1
	C4	12uF MKT, 100Vdc, 5%	1
	C5	2u7F MKT, 100Vdc, 5%	1
	C6	1u5F MKT, 100Vdc, 5%	1
	C7	1u0F MKT, 100Vdc, 5%	1
	C8	2u7F MKT, 100Vdc, 5%	1
	C9	1u5F MKT, 100Vdc, 5%	1
	C10	6u8F MKT, 100Vdc, 5%	1
RESISTOR	R1	27R/20W CERAMIC WIREWOUND 10%	1
LIGHT BULB	B1	24V / 35W	1

Part No.	7300 1372
First used on	VLS 15
Issues	A 16/11/11 MS
	B 05/12/11 MS Additional wire added to Schematic Diagram
	C 07/12/11 MS Lightbulb added
	D 06/02/12 MS L4 DCR WAS <0.7
	E 16/05/12 MS LAMINATED CORE SIZE OF INDUCTORS SPECIFIED

FOR ESTIMATING PURPOSES ONLY
NO TOOLING OR PRODUCTION
PARTS TO BE MADE TO THIS
DRAWING



The contents, information and copyright of this document are the sole property of Tannoy Ltd and must not be published, applied or copied without the express knowledge & permission of the owners.

MATERIAL	
TITLE	CROSSOVER - TYPE 1739 - VLS 15

FINISH	
--------	--

ALL DIMENSIONS IN MILLIMETRES	RoHS Compliant
Limits of tolerance unless stated:	
One place of decimal dim.	Drawn
Two places of decimal dim.	Checked
Holes 12.0mm dia. & under	Approved
Holes over 12.0mm dia.	Scale
	A1
	7300 1372