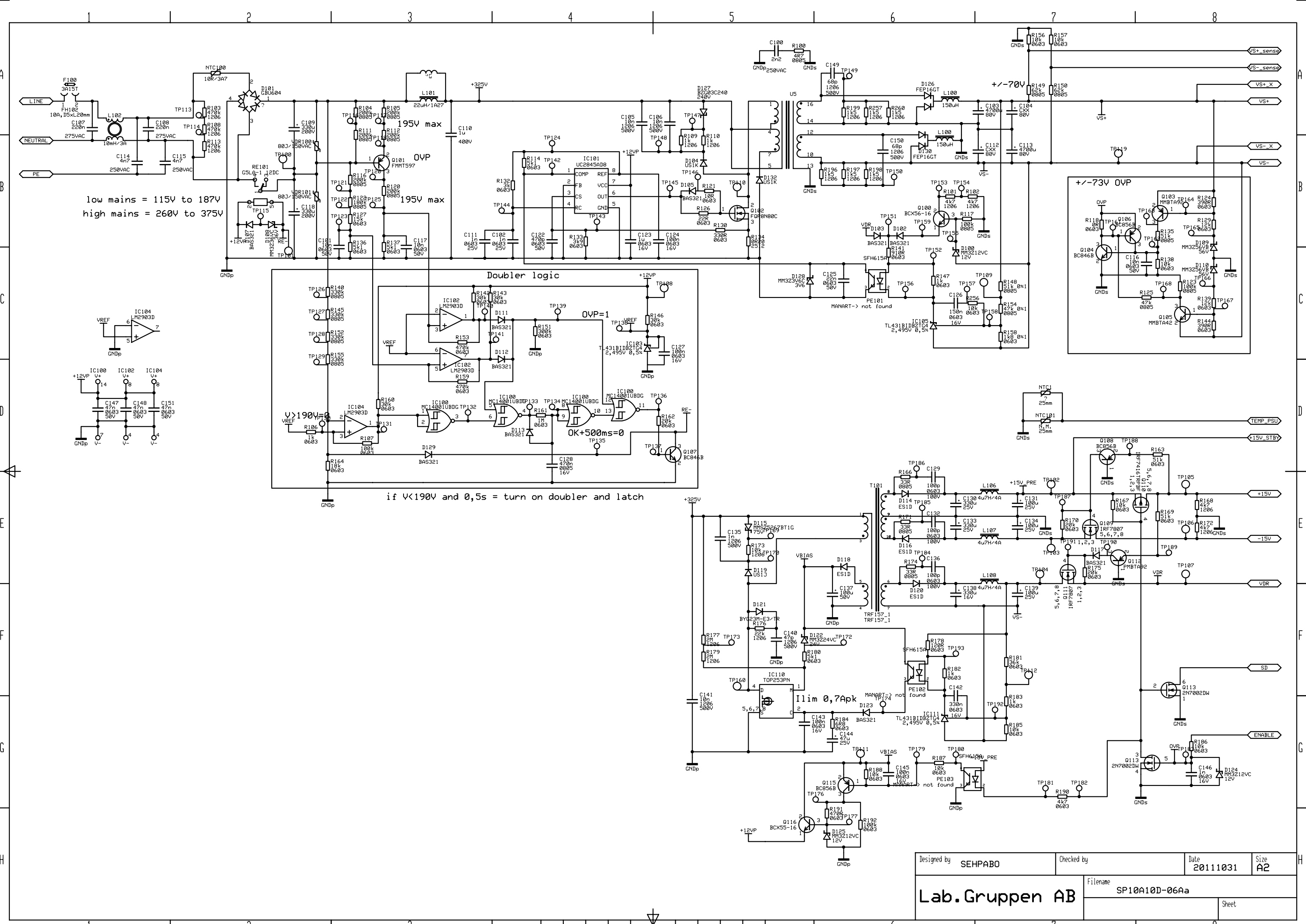


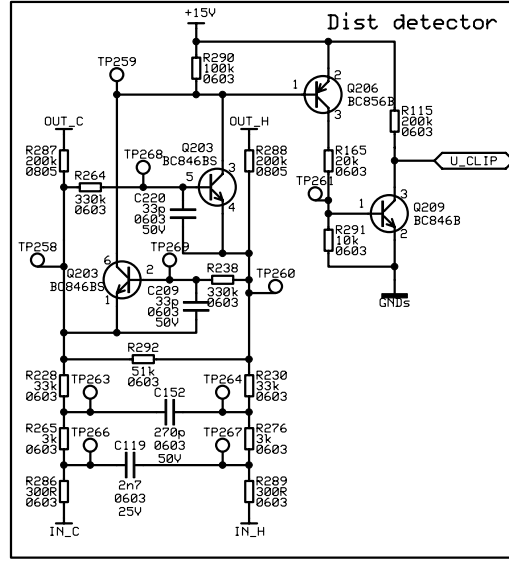
Designed by SEHPABO	Checked by	Date 20111031	Size A3
Lab. Gruppen AB		Filename SP10A10D-06Aa	
		Sheet	



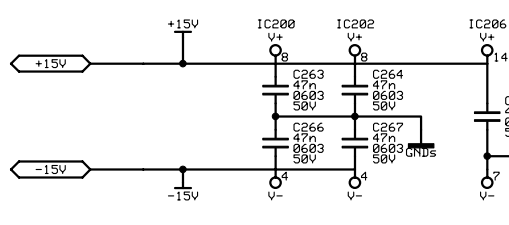
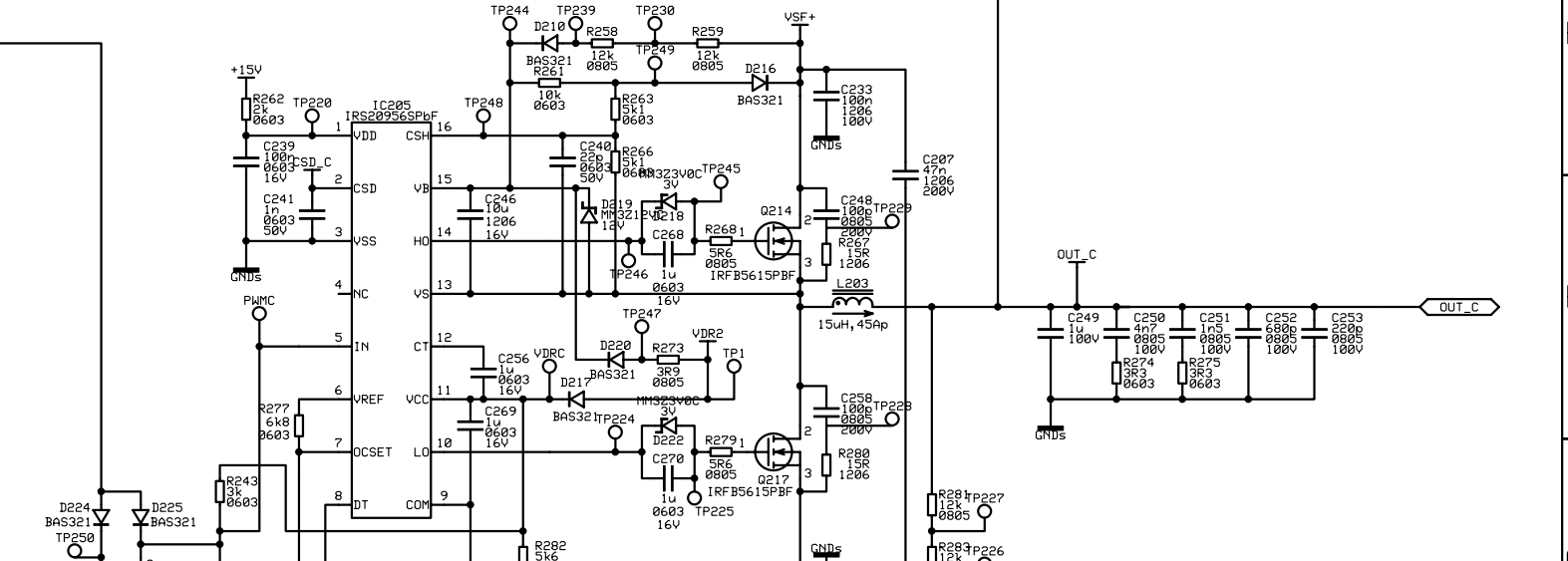
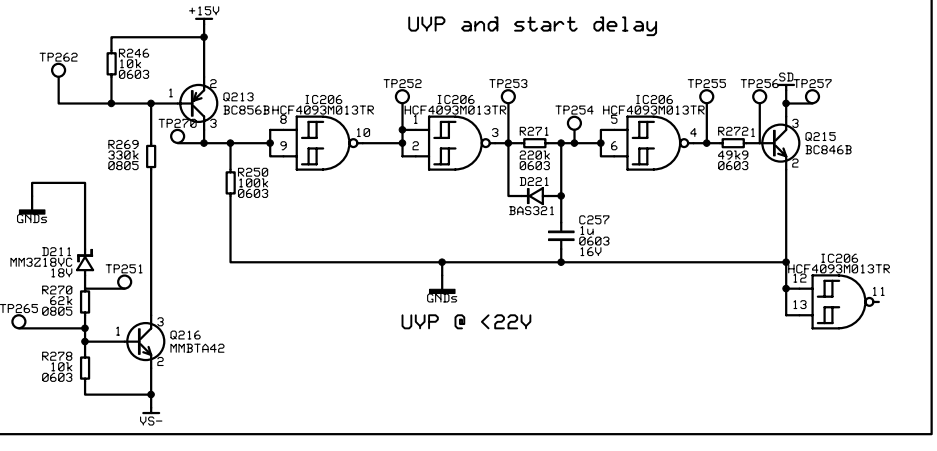
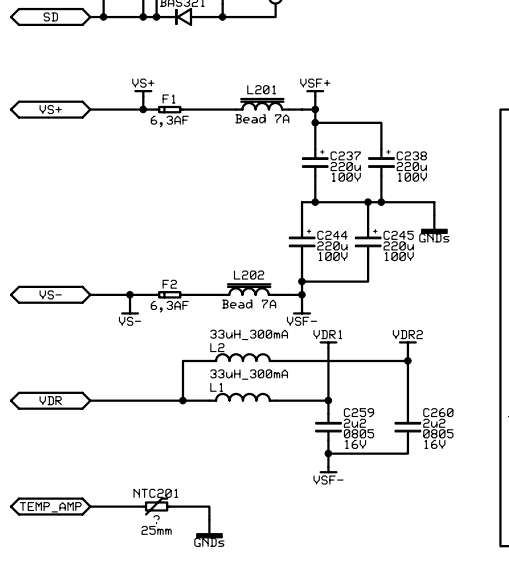
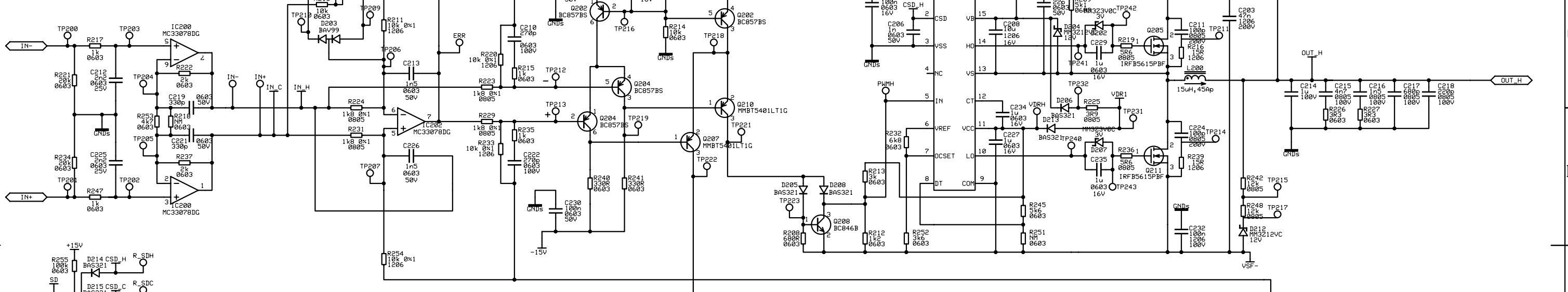
low mains = 115V to 187V
high mains = 260V to 375V

if $V < 190V$ and $0,5s =$ turn on doubler and latch

Designed by	SEHPABO	Checked by		Date	20111031	Size	A2
Lab. Gruppen AB		Filename		SP10A10D-06Aa		Sheet	



1,35V @ 100C 27Apk



Designed by SEHPABO	Checked by	Date 20111031	Size A2
Lab. Gruppen AB		Filename SP10A10D-06Aa	Sheet