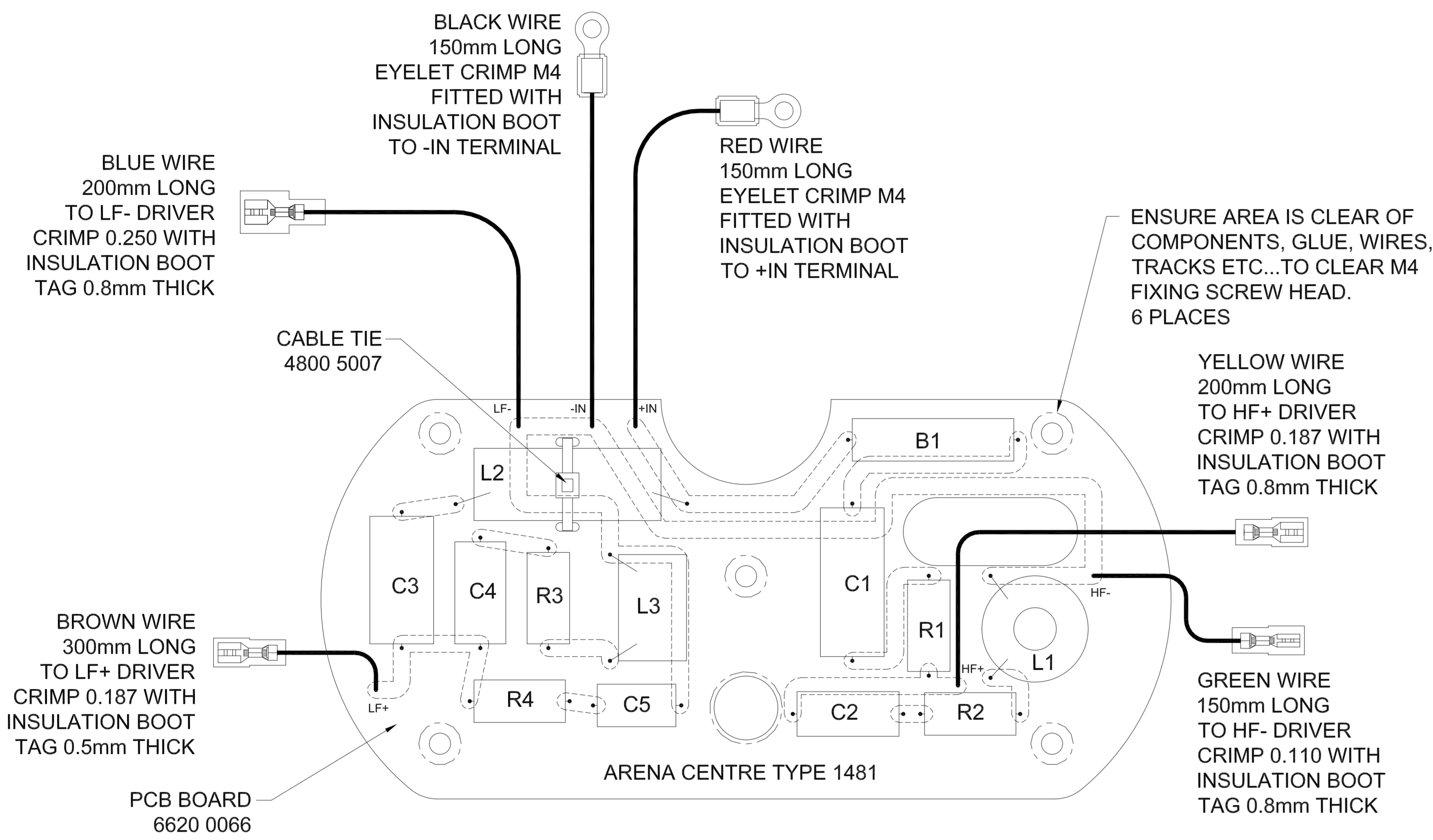


THIRD ANGLE PROJECTION

*** NOTE PRINT PRODUCT TYPE AND INPUT/OUTPUT POSITIONS ON BOARD.



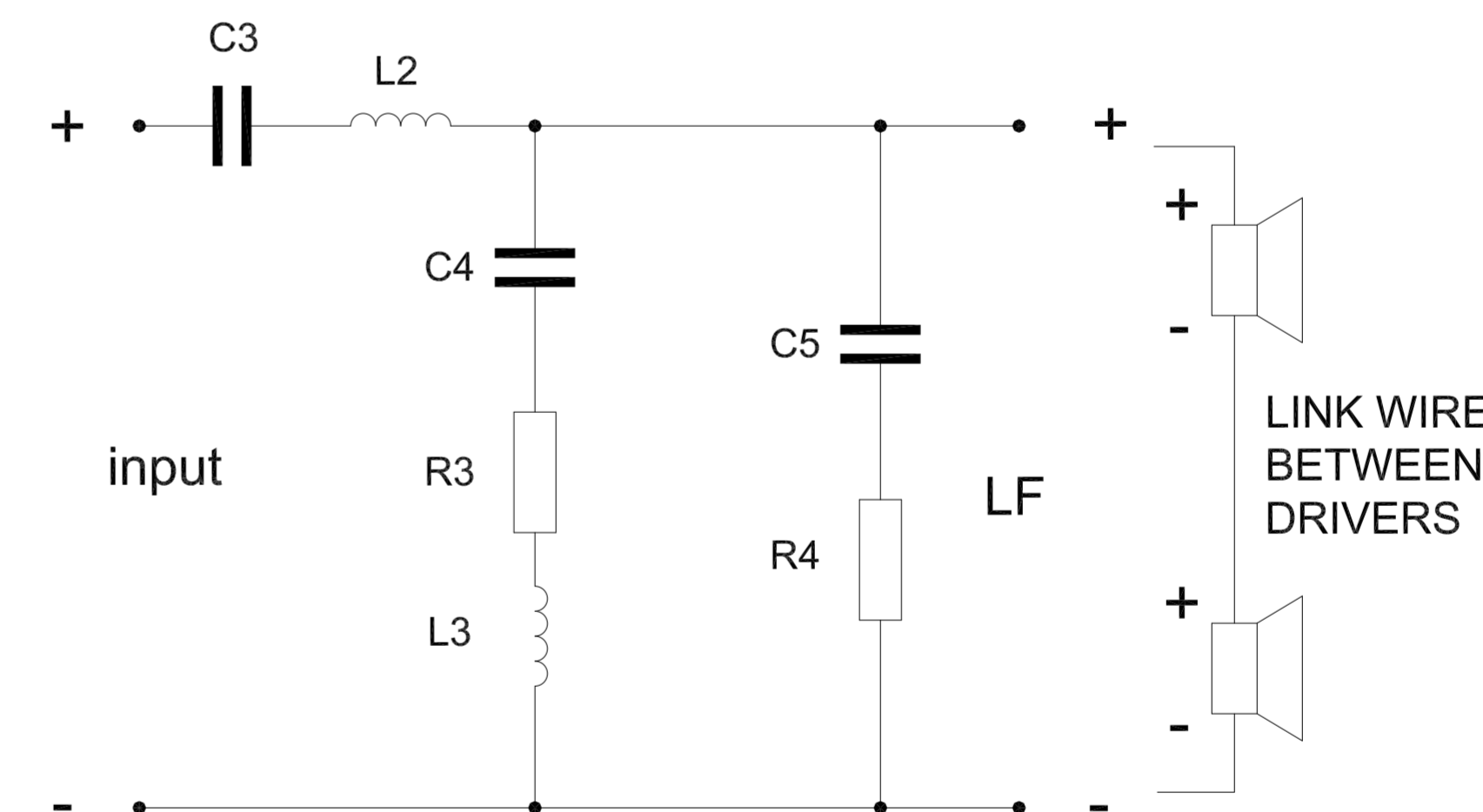
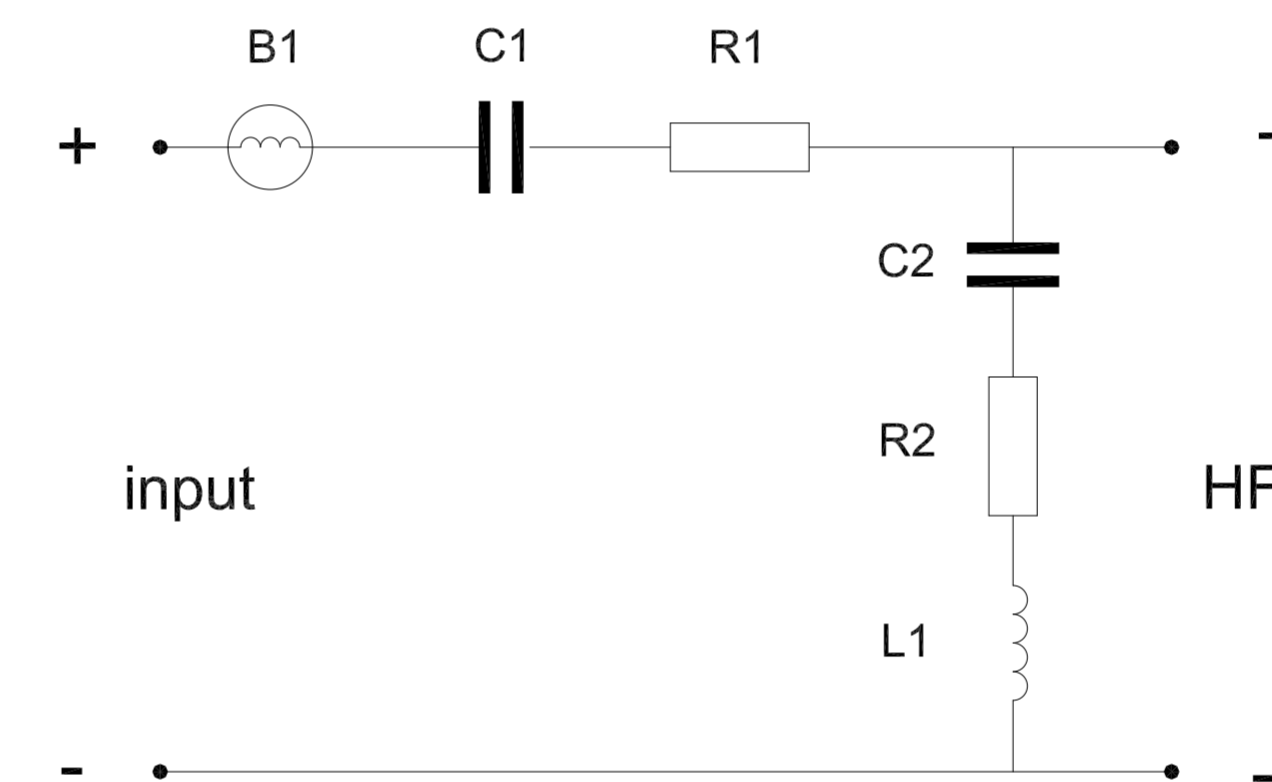
COPPER TRACKS SHOWN AS *** COPPER TRACKS ON UNDERSIDE OF BOARD ***



NOTE:

1. ALL WIRES HIGH PURITY OFC (32/0.1)
2. ENSURE COMPONENTS ARE SECURELY FIXED IN PLACE USING HOT MELT, DESCRIPTIONS VISIBLE.
3. ALL ELECTRICAL CONNECTIONS TO BE SOLDERED.
4. ENSURE ALL COMPONENTS ARE WITHIN PCB BOARD.
5. BULB (B1) MUST BE SECURELY FIXED WITH HIGH TEMPERATURE SILICON.

| | |
|----|--|
| B1 | 12V/21W 0.5ohm@25C TANNOY P/N 3615 0046 |
| R1 | 2R2/5W 5% WIREWOUND |
| R2 | 4R7/5W 5% WIREWOUND |
| R3 | 2R2/5W 5% WIREWOUND |
| R4 | 1R0/5W 5% WIREWOUND |
| C1 | 2u2 5% 250V POLYPROPYLENE |
| C2 | 2u2 10% 100V MET. POLYESTER |
| C3 | 50u 10% 50V BIPOLAR ELECT. |
| C4 | 10u 10% 100V BIPOLAR ELECT. |
| C5 | 3u3 10% 100V BIPOLAR ELECT. |
| L1 | 0.5mH DCR 1R0 AIR CORE BOBBIN 0.5mm WIRE DIA. |
| L2 | 2.8mH DCR 0R7 LAM CORE 41x8x6 1.0mm WIRE DIA. |
| L3 | 0.15mH DCR 0R5 AIR CORE BOBBIN 0.5mm WIRE DIA. |



Part No. 7300 0963

First used on ARENA CENTRE

Issues

1 01/03/04 SW

2 08/12/04 SW

COMPONENT VALUES MODIFIED.....

R1 1R0 WAS 3R3,

R2 10R WAS 4R7,

C1 1u5 WAS 3u3.

CR 8502

3 17/12/04 SW

COMPONENT VALUES MOD.

R1 4R7 WAS 1R0,

C1 2u7 WAS 1u5.

CR 8504

4 11/01/05 SW

COMPONENT VALUES MOD.

R1 2R7 WAS 4R7.

CR 8509

5 03/05/05 BM

COMPONENT VALUES MODIFIED.....

R1 2R2 WAS 2R7,

R2 4R7 WAS 10R,

C1 2u2 WAS 2u7.

L2 2.8mH WAS 2.5mH.

CR 8537

A 01/03/04 BM

B 23/07/04 SW

ASSEMBLY RE-DESIGNED.

C 04/08/04 SW

HF+ WIRE REPOSITIONED

D 05/08/04 SW

COMPONENT VALUES MOD.

E 19/08/04 SW

COMPONENT VALUES MOD.

F 24/08/04 BM

BLACK WIRE CRIMP LF- TAG

THICKNESS WAS 0.5mm

NOW 0.8mm

G 27/08/04 BM

BLUE WIRE WAS 250mm

BROWN WIRE WAS 200mm

YELLOW WIRE WAS 150mm

H 05/09/04 SW

BULB SPEC ADDED.

TANNOY

The contents, information and copyright of this document are the sole property of Tannoy Ltd and must not be published or copied without the express knowledge & permission of the owners.

| | | | |
|----------|------------------------------------|--------|-------|
| MATERIAL | SEE ABOVE | FINISH | CLEAN |
| TITLE | CROSSOVER - TYPE 1481 ARENA CENTRE | | |

| |
|--------------------------------------|
| ALL DIMENSIONS IN MILLIMETRES |
| Limits of tolerance unless stated: |
| One place of decimal dim. ±0.4mm |
| Two places of decimal dim. ±0.1mm |
| Holes 12.0mm dia & under +0.1 -0.0mm |
| Holes over 12.0mm dia. ±0.4mm |

| |
|----------------|
| RoHS Compliant |
| Drawn |
| Checked |
| Approved |
| Scale |

CROSSOVER - TYPE 1481 ARENA CENTRE **A2**

7300 0963