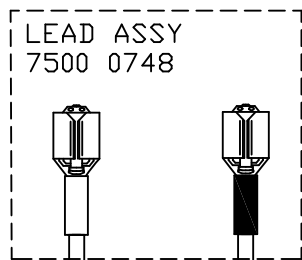
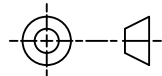
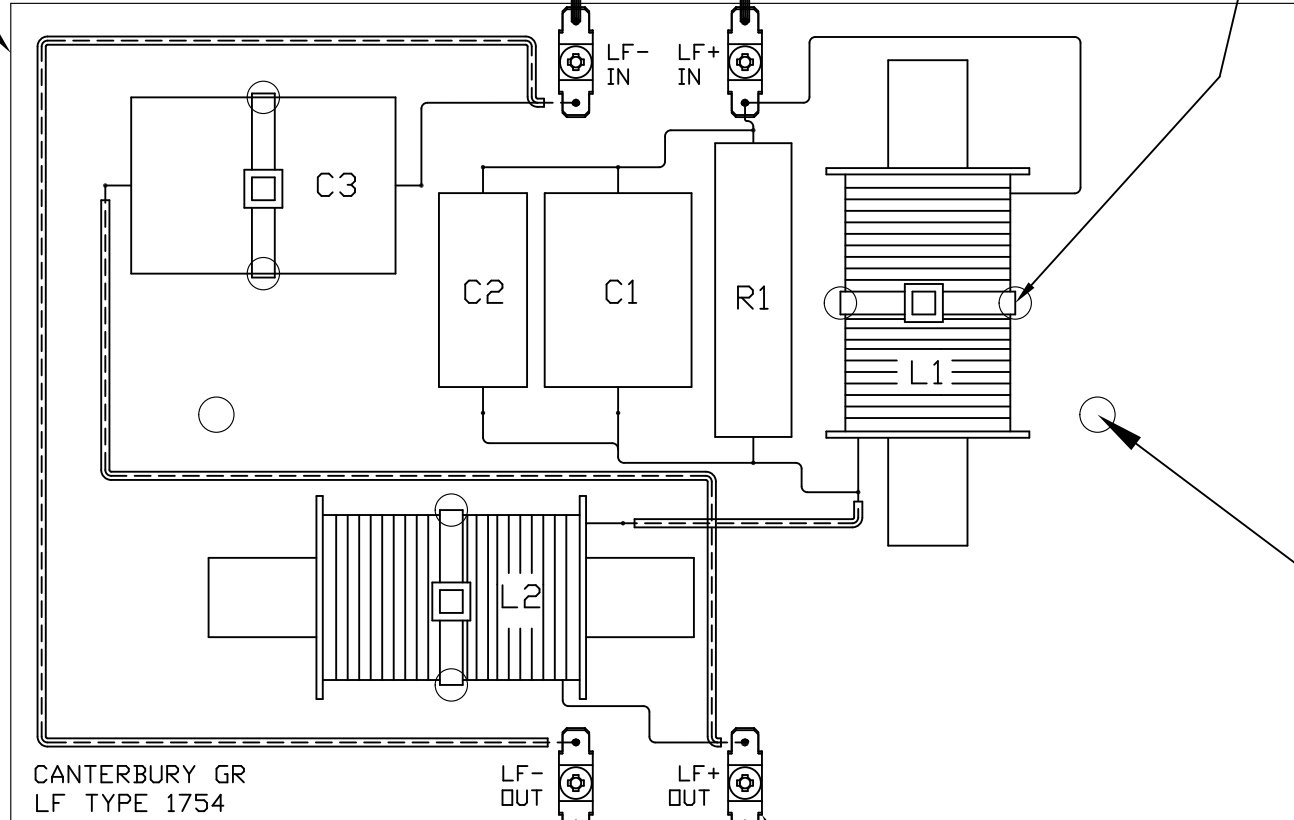


THIRD ANGLE PROJECTION

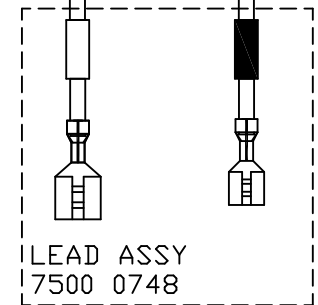


BOARD
5112 0157



CANTERBURY GR
LF TYPE 1754

TERMINAL x(4)
4783 0408
GOLD



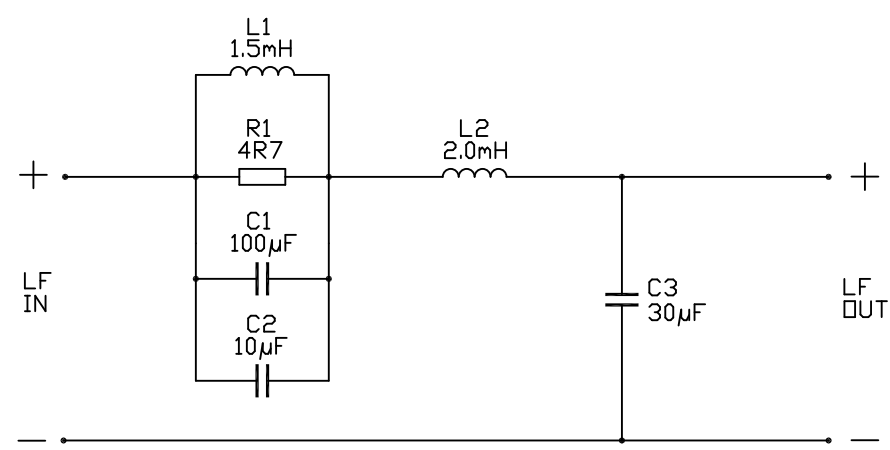
INDICATES
POSITIONS OF
OYAIDE WIRE 1134
6145

R1	4R7/17w	2252	3016
----	---------	------	------

C1	100µ/100v	2753	3340
C2	10µ/160v	2606	0656
C3	30µ/160v	2606	0724

L1	1.5mH	LAM. CORE	6811 0094
L2	2.0mH	LAM. CORE	6811 0093

ENSURE ALL FIXING
HOLES ARE CLEAR OF
COMPONENTS.



NOTES:

1. ENSURE COMPONENTS ARE SECURELY FIXED IN PLACE USING BLACKTITE, WITH DESCRIPTIONS VISIBLE.
2. PRINT TYPE NUMBER ON BOARD
3. ENSURE ALL FIXING HOLES ARE CLEAR OF COMPONENTS

PART No.
7300 1394
First used on
CANTERBURY GR
Issues
A 11/09/12 MP

FOR ESTIMATING PURPOSES ONLY
NO TOOLING OR PRODUCTION
PARTS TO BE MADE TO THIS
DRAWING

TANNOY.
The contents, information and copyright of this document are the sole property of Tannoy Ltd and must not be published applied or copied without the express knowledge & permission of the owners.

MATERIAL	FINISH	ALL DIMENSIONS IN MILLIMETRES	RoHS Compliant	
		Limits of tolerance unless stated:		
		One place of decimal dim.		Drawn
		Two places of decimal dim.		Checked
		Holes 12.0mm dia. & under		Approved
TITLE	CROSSOVER - TYPE 1754 CANTERBURY GR LF	CROSSOVER - TYPE 1754	Scale 1:1	
		A3	7300 1394	