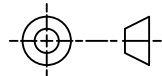


THIRD ANGLE PROJECTION

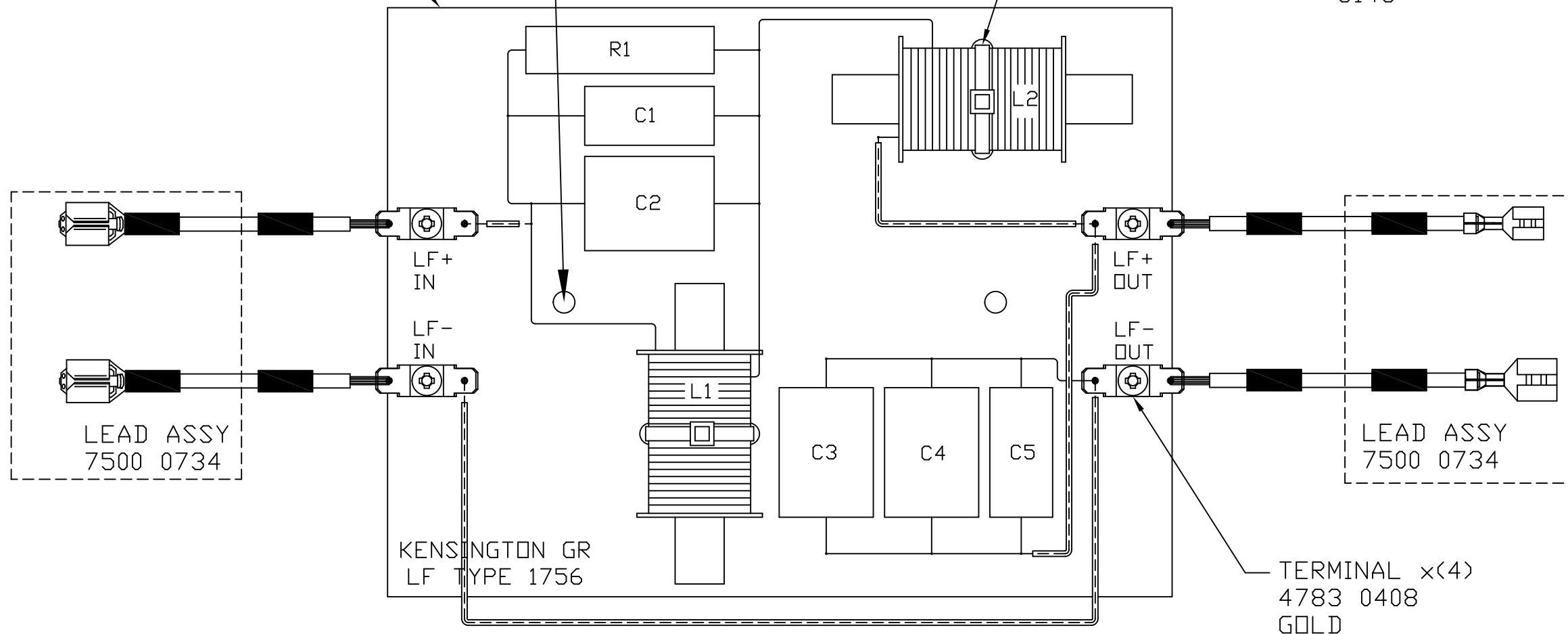


BOARD
5112 0155

ENSURE ALL FIXING
HOLES ARE CLEAR OF
COMPONENTS.

CABLE TIE x(2)
4800 0070

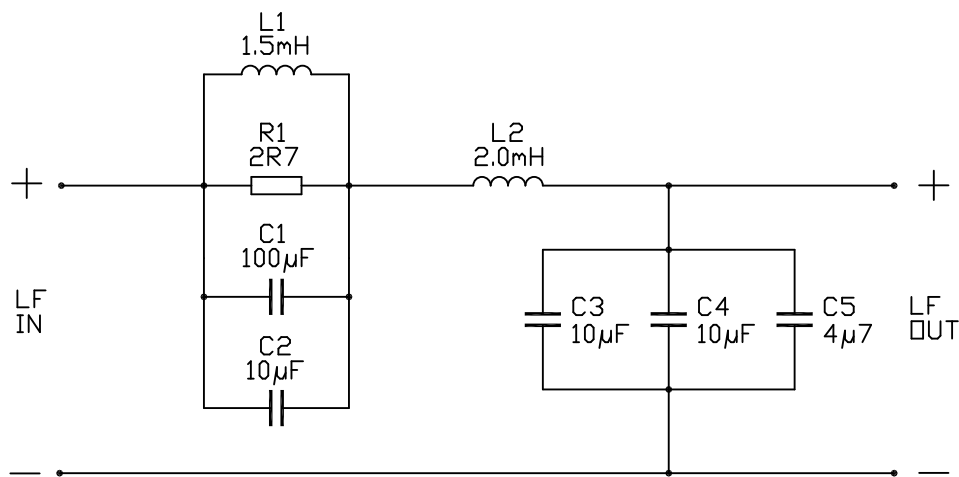
INDICATES
POSITIONS OF
OYAIDE WIRE 1134
6145



PART No.
7300 1396
First used on
KENSINGTON GR
Issues
A 11/09/12 MP

NOTES:

1. ENSURE COMPONENTS ARE SECURELY FIXED IN PLACE USING BLACKTITE, WITH DESCRIPTIONS VISIBLE.
2. PRINT TYPE NUMBER ON BOARD
3. ENSURE ALL FIXING HOLES ARE CLEAR OF COMPONENTS



R1	2R7/17w	2252 3010
----	---------	-----------

C1	100µ/100v	2753 3340
C2	10µ/160v	2606 0656
C3	10µ/160v	2606 0656
C4	10µ/160v	2606 0656
C5	4µ7/160v	2606 0655

L1	1.5mH	LAM. CORE	6811 0094
L2	2.0mH	LAM. CORE	6811 0093

FOR ESTIMATING PURPOSES ONLY
NO TOOLING OR PRODUCTION
PARTS TO BE MADE TO THIS
DRAWING

TANNOY.

The contents, information and copyright of this document are the sole property of Tannoy Ltd and must not be published applied or copied without the express knowledge & permission of the owners.

MATERIAL

FINISH

ALL DIMENSIONS IN MILLIMETRES

Limits of tolerance unless stated:

One place of decimal dim.

Two places of decimal dim.

Holes 12.0mm dia. & under

Holes over 12.0mm dia.

RoHS Compliant

Drawn

Checked

Approved

Scale 1:1

TITLE CROSSOVER - TYPE 1756 KENSINGTON GR LF

CROSSOVER - TYPE 1756 **A3**

7300 1396