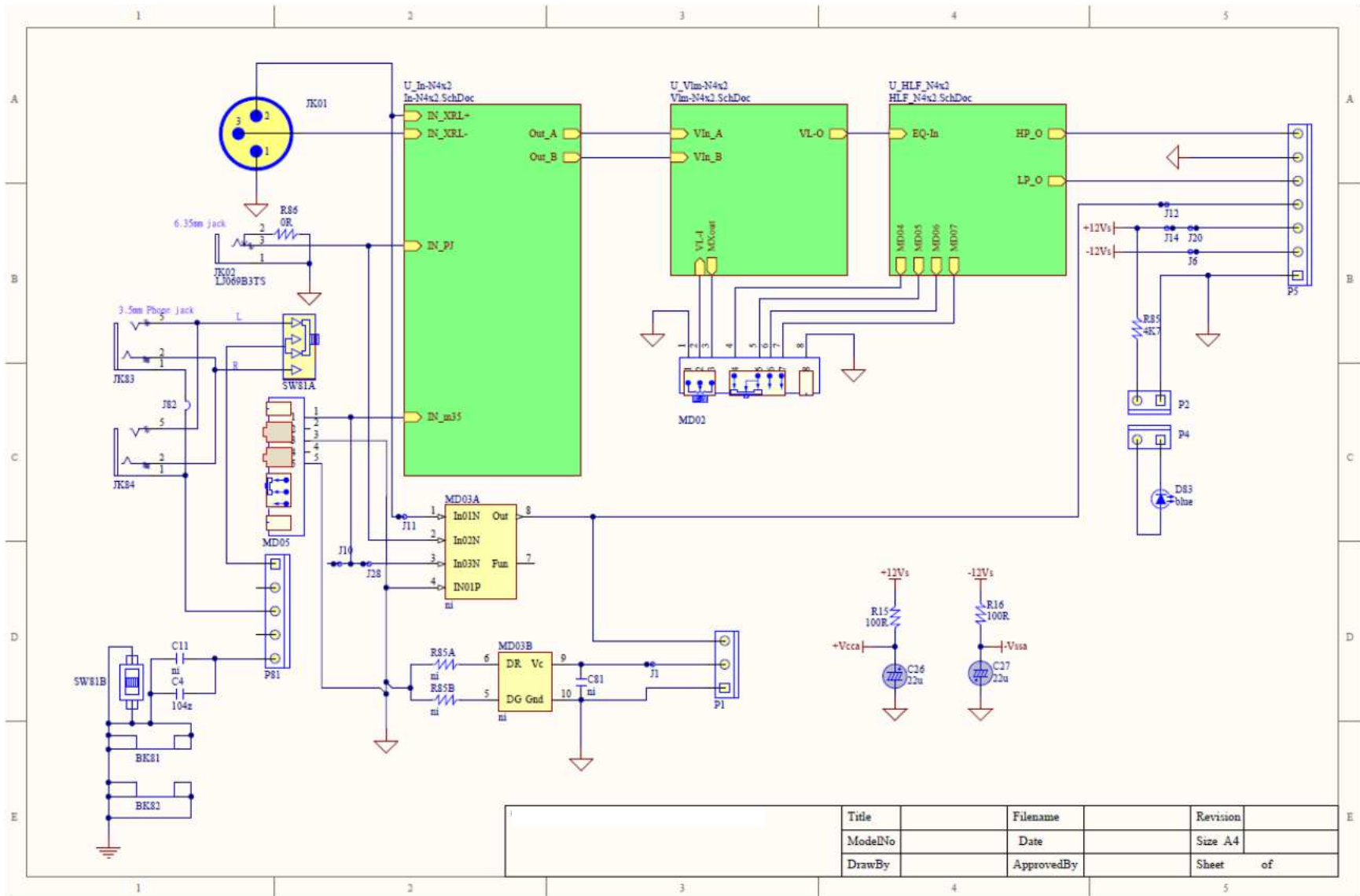
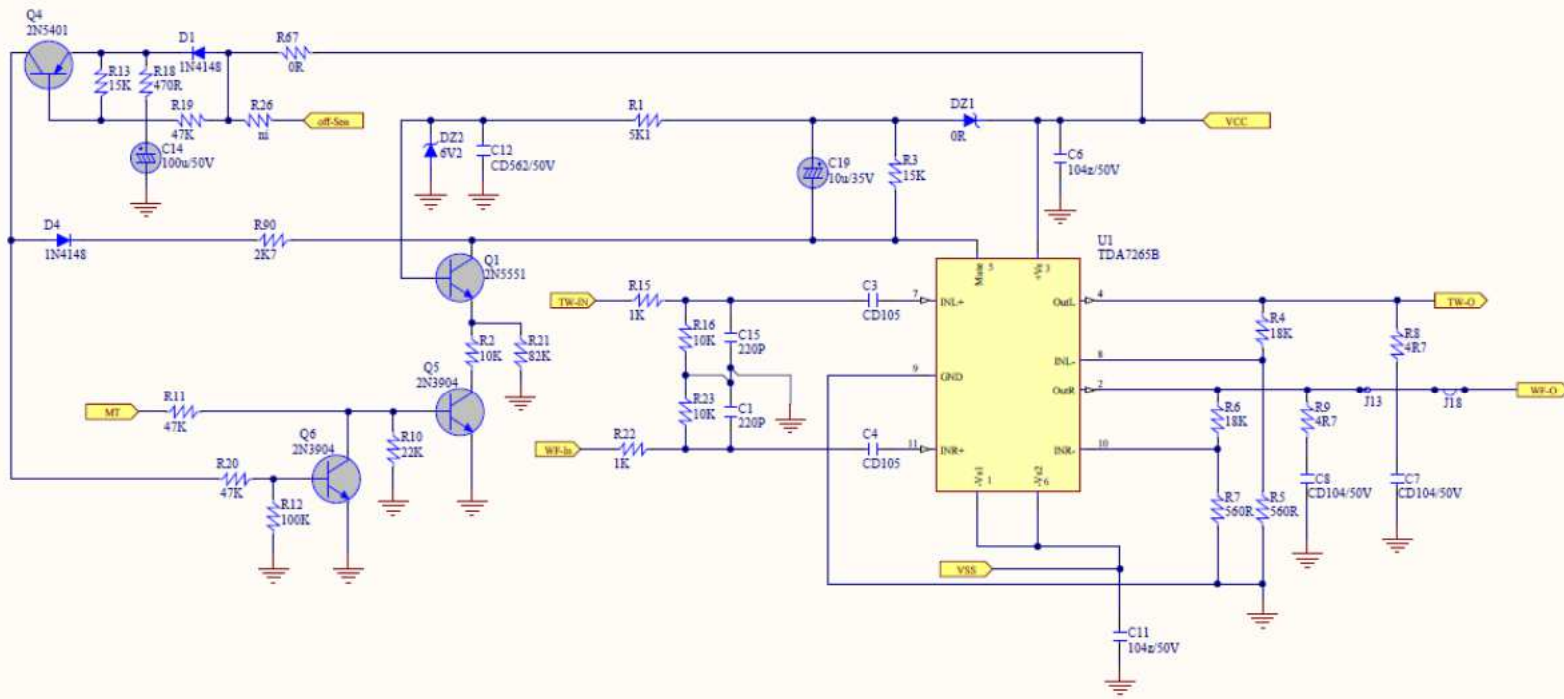


	Title		Filename		Revision	
	ModelNo		Date		Size A4	
	DrawBy		ApprovedBy		Sheet	of



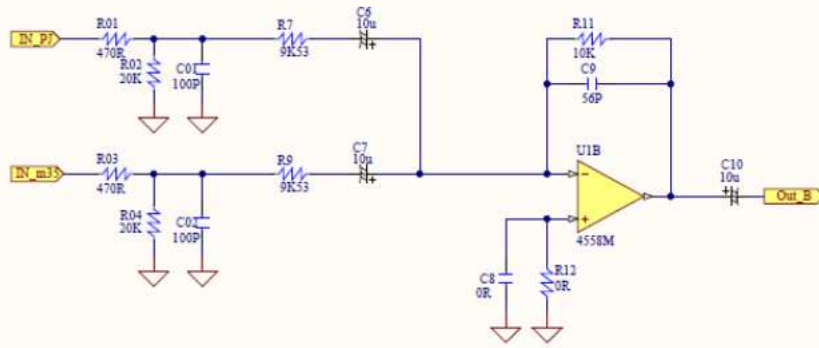
Title	Filename	Revision
ModelNo	Date	Size A4
DrawBy	ApprovedBy	Sheet of



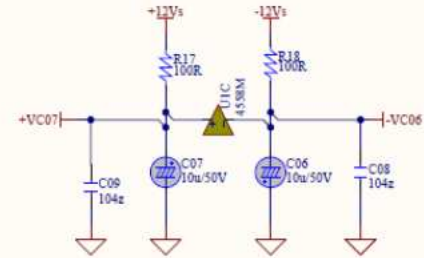
	Title	Filename	Revision
	ModelNo	Date	Size A4
	DrawBy	ApprovedBy	Sheet of

1 2 3 4 5 6

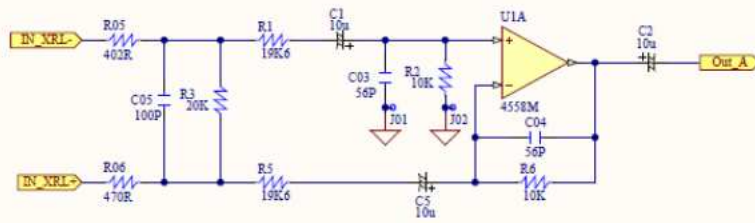
A



B



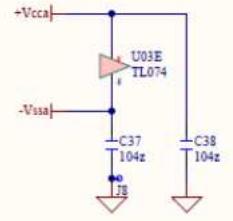
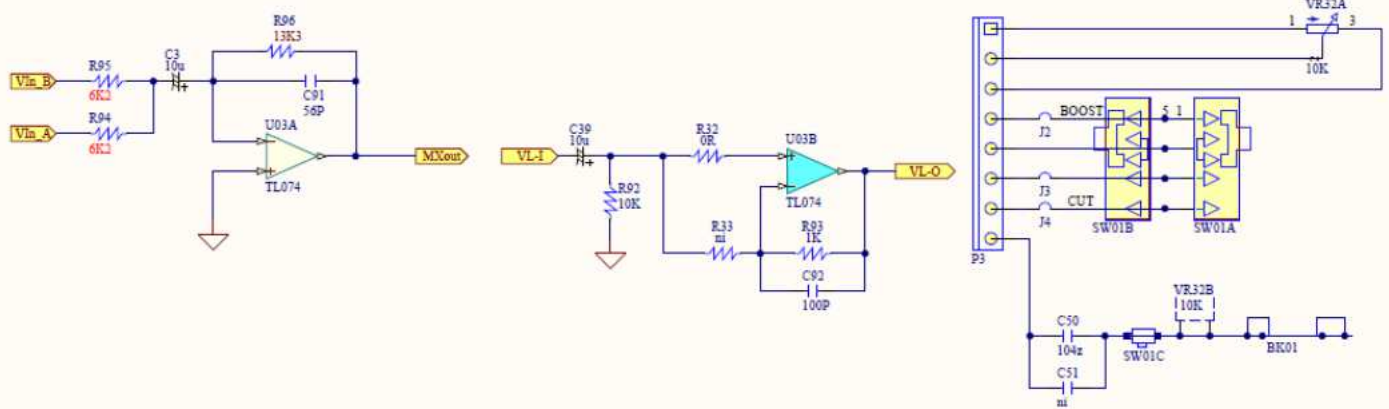
C



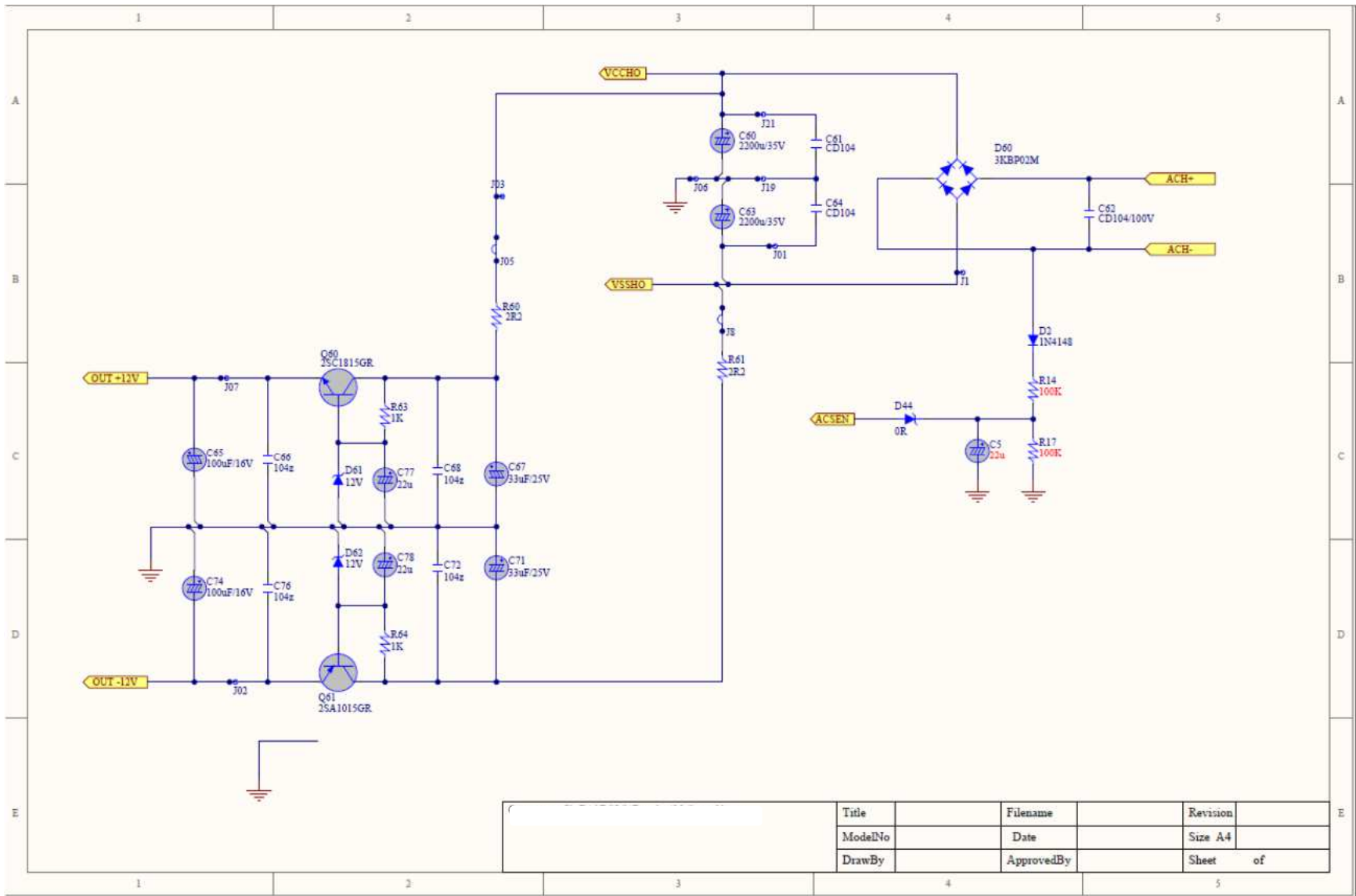
D

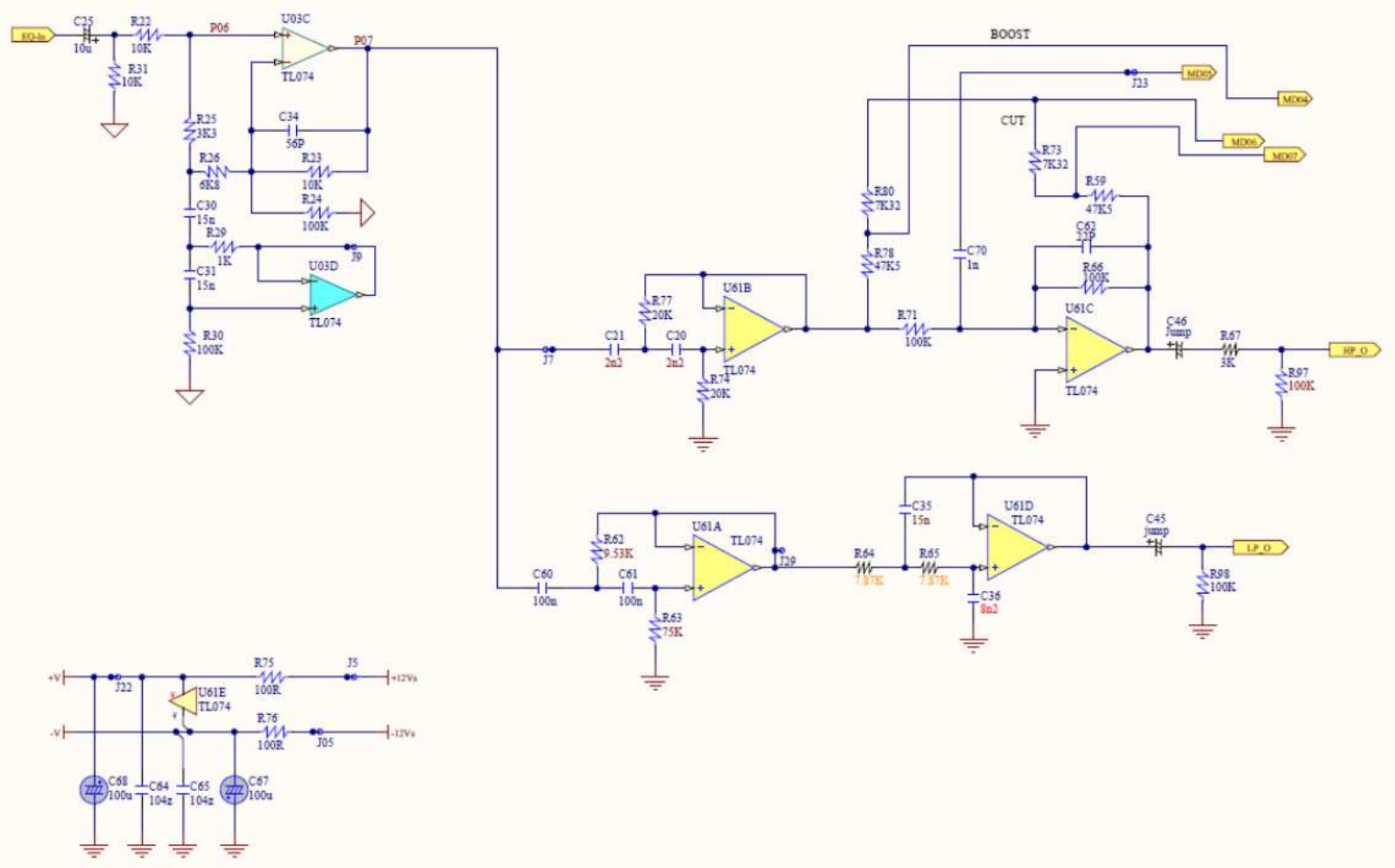
	Title	*	Filename	Input_A	Revision	*
	ModelNo	Tanoy MS	Date	*	Size A4	SheetTotal 4
	DrawBy	*	ApprovedBy	*	Sheet 4	of 2

1 2 3 4 5 6



	Title	Filename	Revision
	ModelNo	Date	Size A4
	DrawBy	ApprovedBy	Sheet of





Title	*	Filename	StateVarGu_Ms	Revision	*
ModelNo	Tannoy M8	Date	*	Size A4	
DrawBy	*	ApprovedBy	*	Sheet	4 of 4