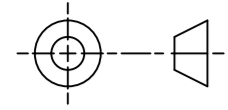


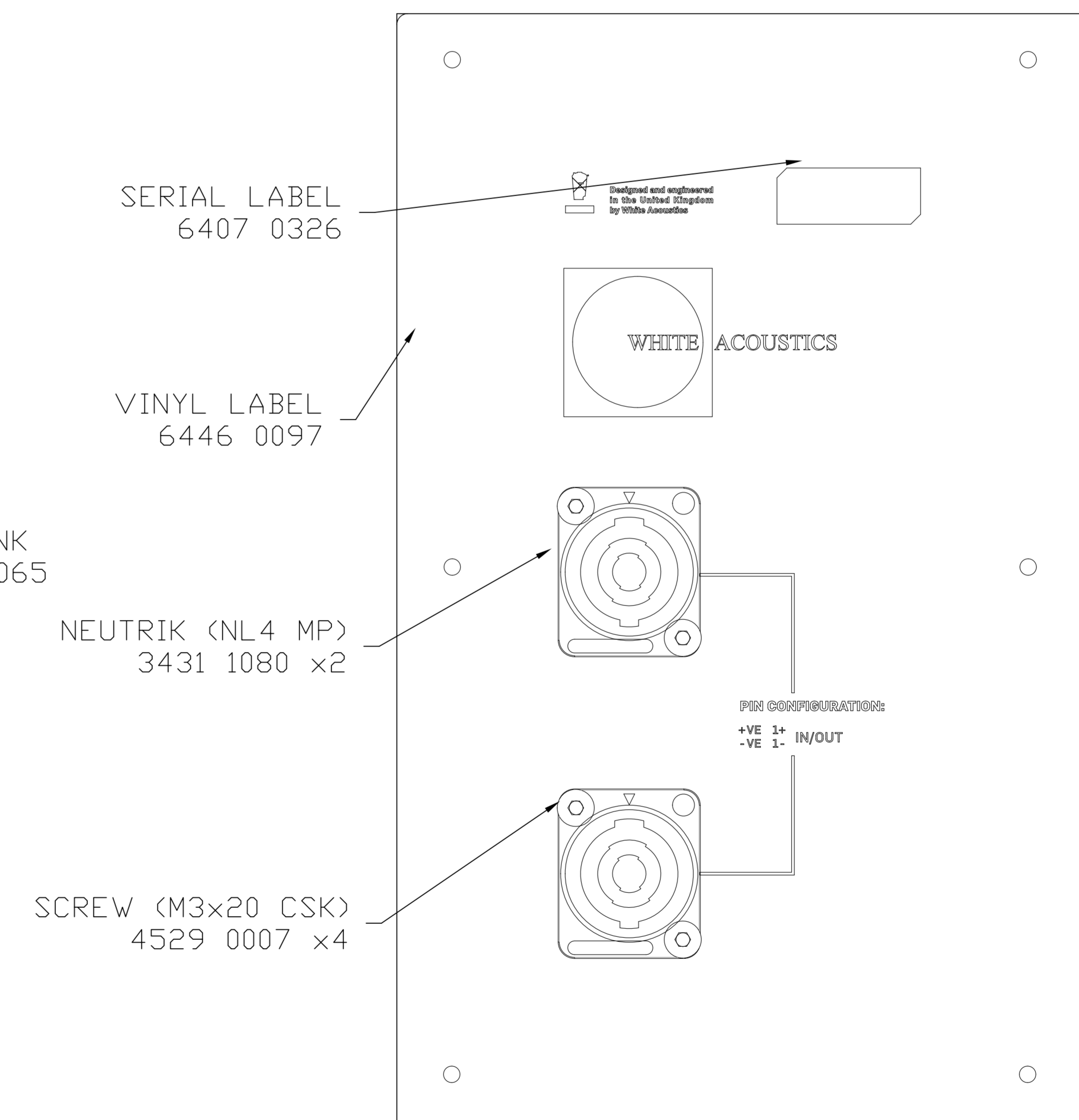
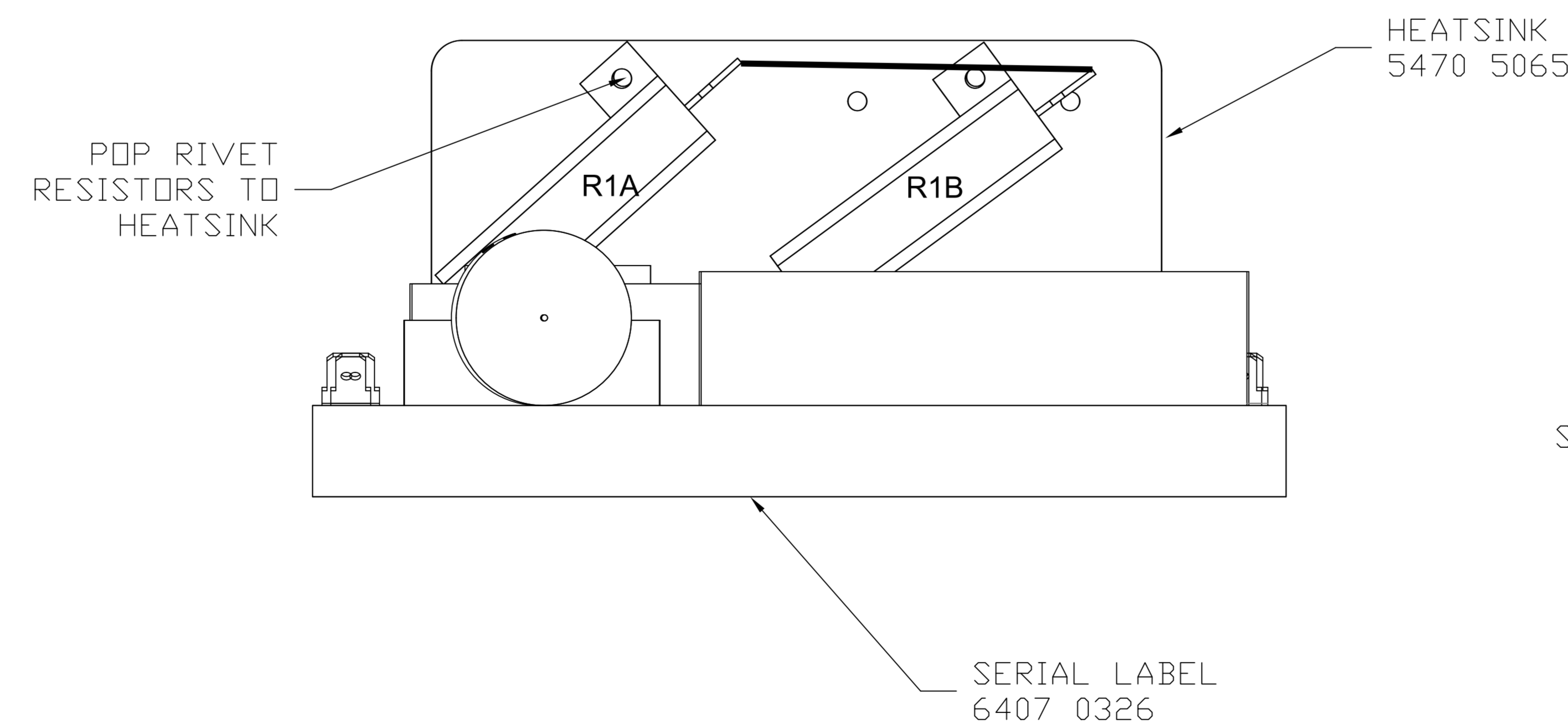
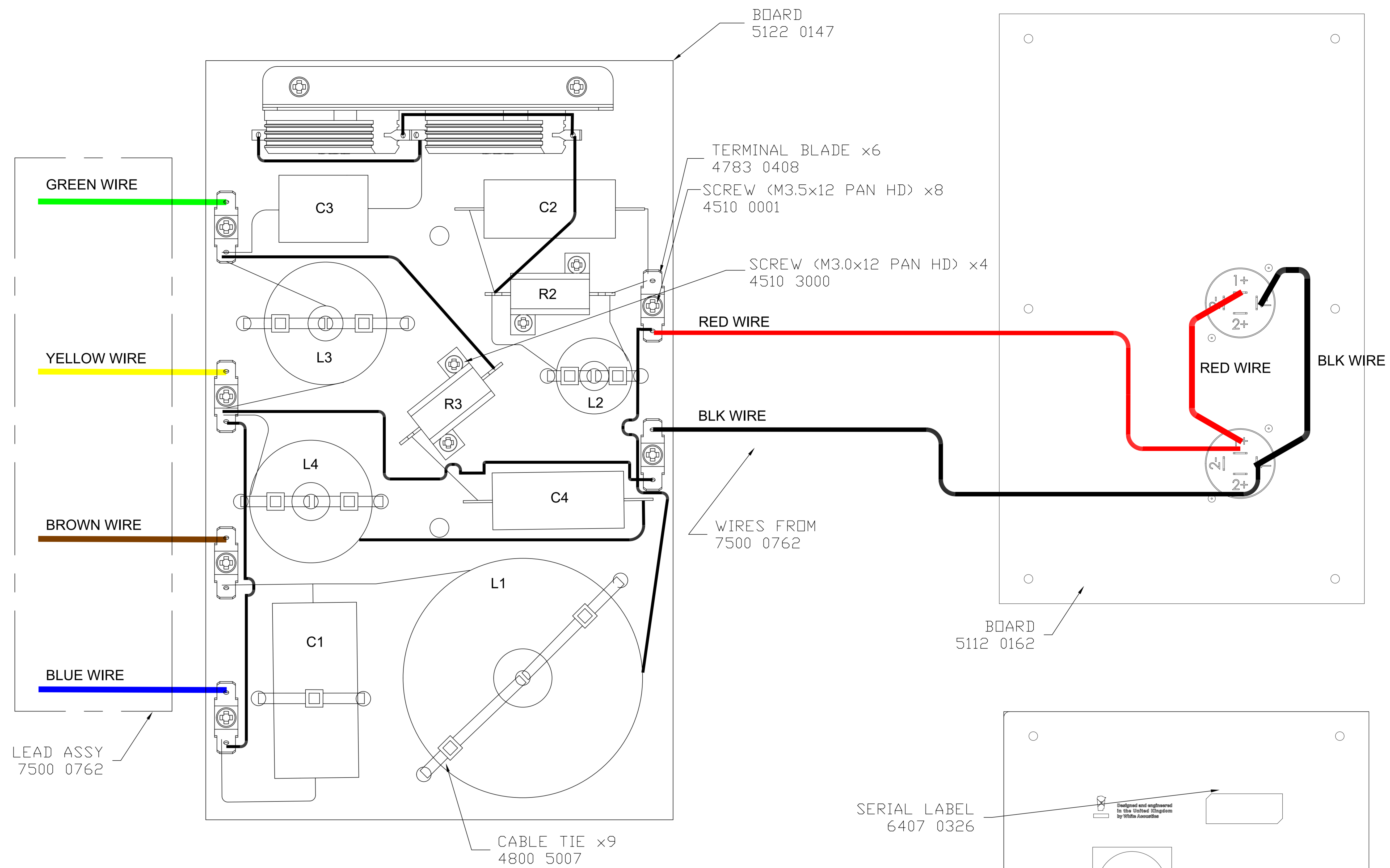
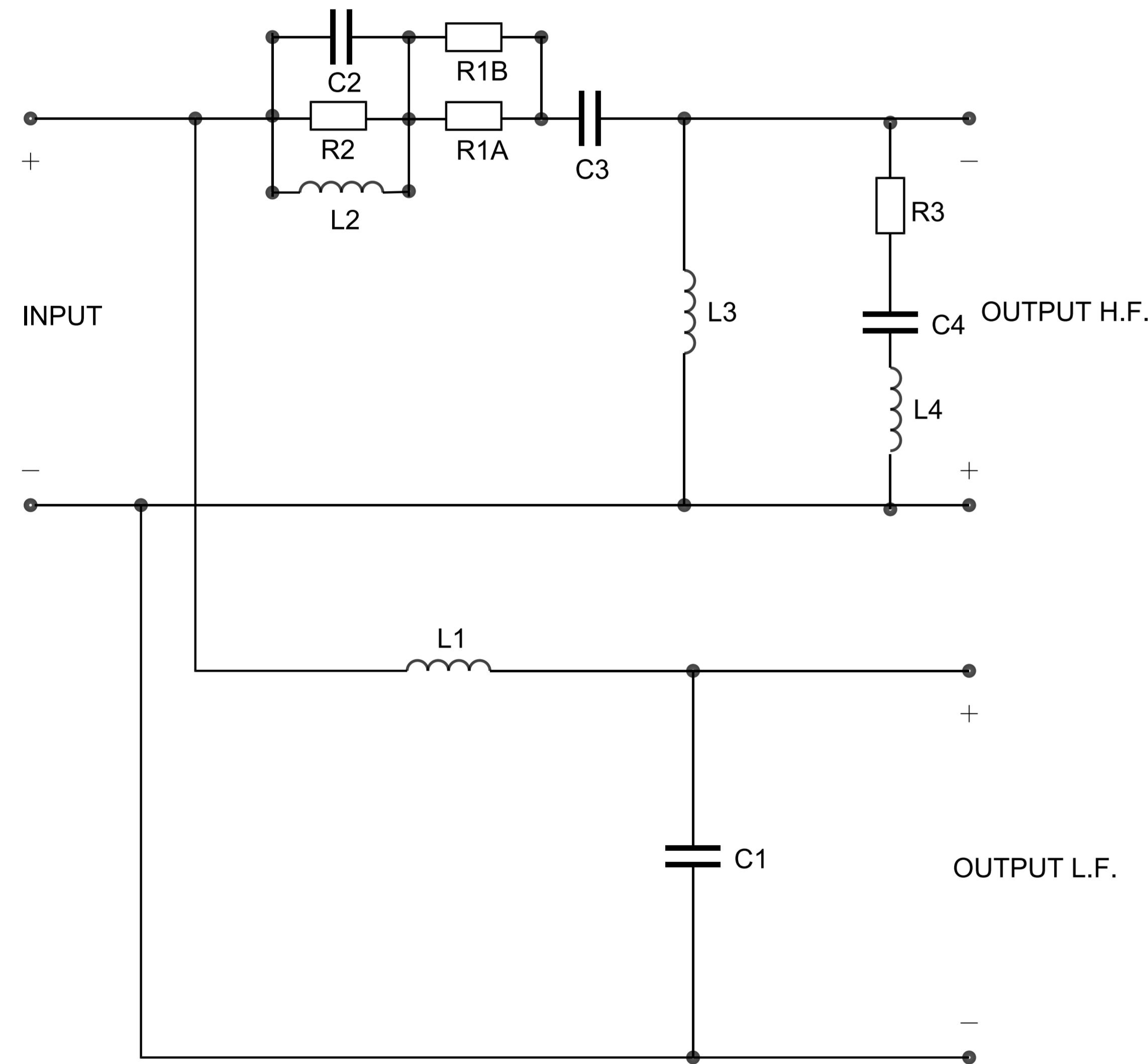
THIRD ANGLE PROJECTION



NOTES:-

1. ALL COMPONENTS TO BE GLUED AND TIE WRAPPED TO BOARD AS SHOWN.
2. R1 RESISTORS TO BE FITTED TO A HEATSINK.
3. H.F. OUTPUT PHASE REVERSED.
4. ENSURE SERIAL NUMBER IS VISIBLE THROUGH CLEAR WINDOW IN VINYL LABEL
5. ENSURE VINYL LABEL IS LOCATED PROPERLY AROUND HOLES FOR NEUTRIKS
6. ENSURE A ADDITIONAL SERIAL LABEL IS HIDDEN UNDER THE CROSSOVER BOARD
7. ALL LINK WIRE TO BE 16 AWG WIRE

C1	MKP CAPACITOR	±5%	250V DC	24uF	2606 1483
C2	MKP CAPACITOR	±5%	250V DC	8.2uF	2606 1480
C3	MKP CAPACITOR	±5%	250V DC	6.8uF	2606 1478
C4	MKP CAPACITOR	±5%	250V DC	7.5uF	2606 1479
L1	AIR CORE INDUCTOR	±5%	DCR<0.4	1.8mH	7100 0202
L2	AIR CORE INDUCTOR	±5%	DCR<0.2	0.09mH	7100 0203
L3	AIR CORE INDUCTOR	±5%	DCR<0.4	0.4mH	7100 0204
L4	AIR CORE INDUCTOR	±5%	DCR<0.4	0.33mH	7100 0205
R1A	ALUMINIUM CLAD WIREWOUND RESISTOR	±5%	50W	10R	2252 9374
R1B	ALUMINIUM CLAD WIREWOUND RESISTOR	±5%	50W	10R	2252 9374
R2	ALUMINIUM CLAD WIREWOUND RESISTOR	±5%	25W	6R8	2252 9316
R3	ALUMINIUM CLAD WIREWOUND RESISTOR	±5%	25W	1R5	2252 9317



Part No.

7300 1345

First used on

WA15F

Issues

A 19/04/11 MS

B 19/09/13 MD
TP CHANGED

C 21/11/13 MD
WIRING UPDATED
TO MATCH NEW
STANDARD

FOR ESTIMATING PURPOSES ONLY
NO TOOLING OR PRODUCTION
PARTS TO BE MADE TO THIS
DRAWING

TANNOY

The contents, information and copyright of this document are the sole property of Tannoy Ltd and must not be published, applied or copied without the express knowledge & permission of the owners.

MATERIAL

FINISH

TITLE

CROSSOVER TYPE 1723 - WA15F

CROSSOVER TYPE 1723 - WA15F

A1

7300 1345

ALL DIMENSIONS IN MILLIMETRES

Limits of tolerance unless stated:

One place of decimal dim.

Two places of decimal dim.

Holes 12.0mm dia. & under

Holes over 12.0mm dia.

T.T.S copy of

Exp. No.

Drawn

Checked

Approved

Scale