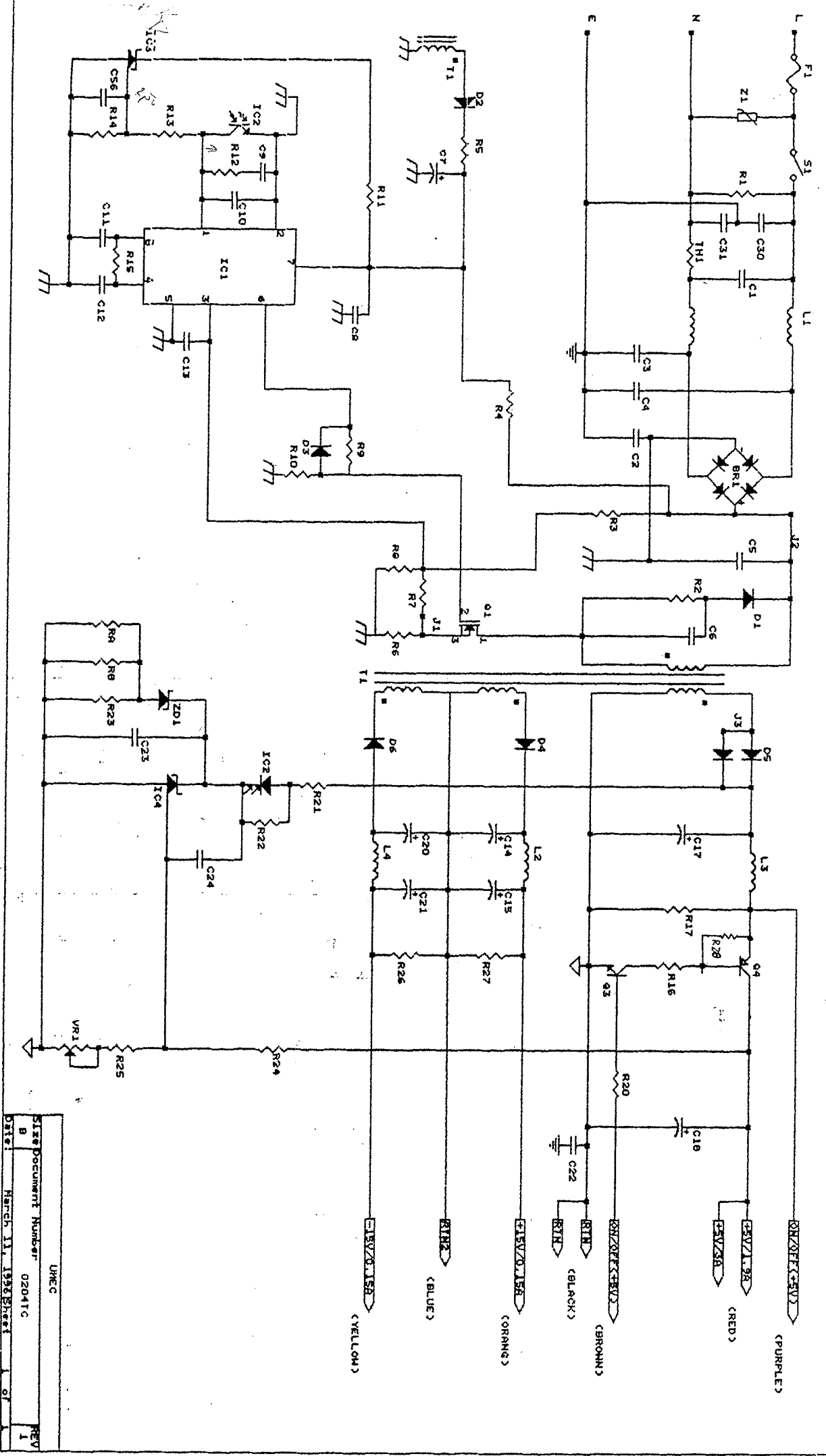


R12, C9, C5G NOT INSERT



SIS Document Number 02041C		UHEC
Date	March 11, 1998	Sheet 1 of 1
REV 1		

1/42