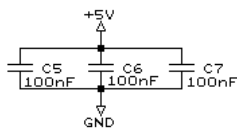
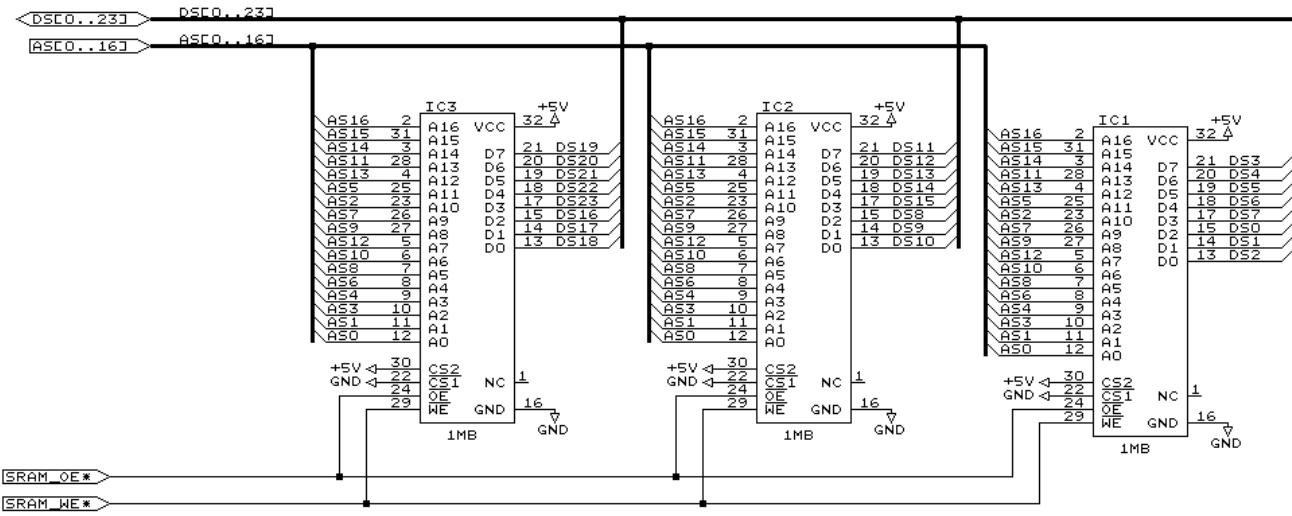
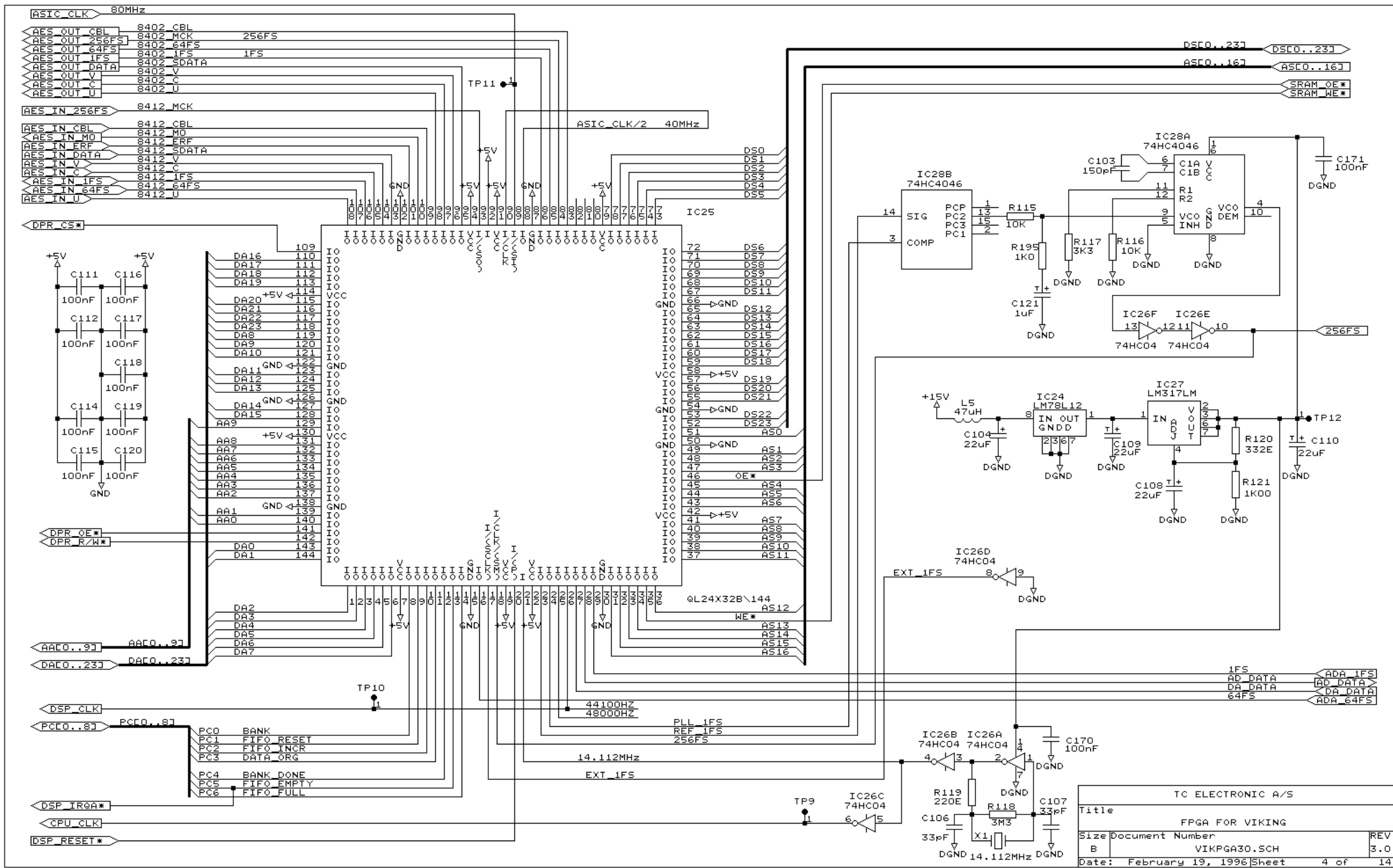
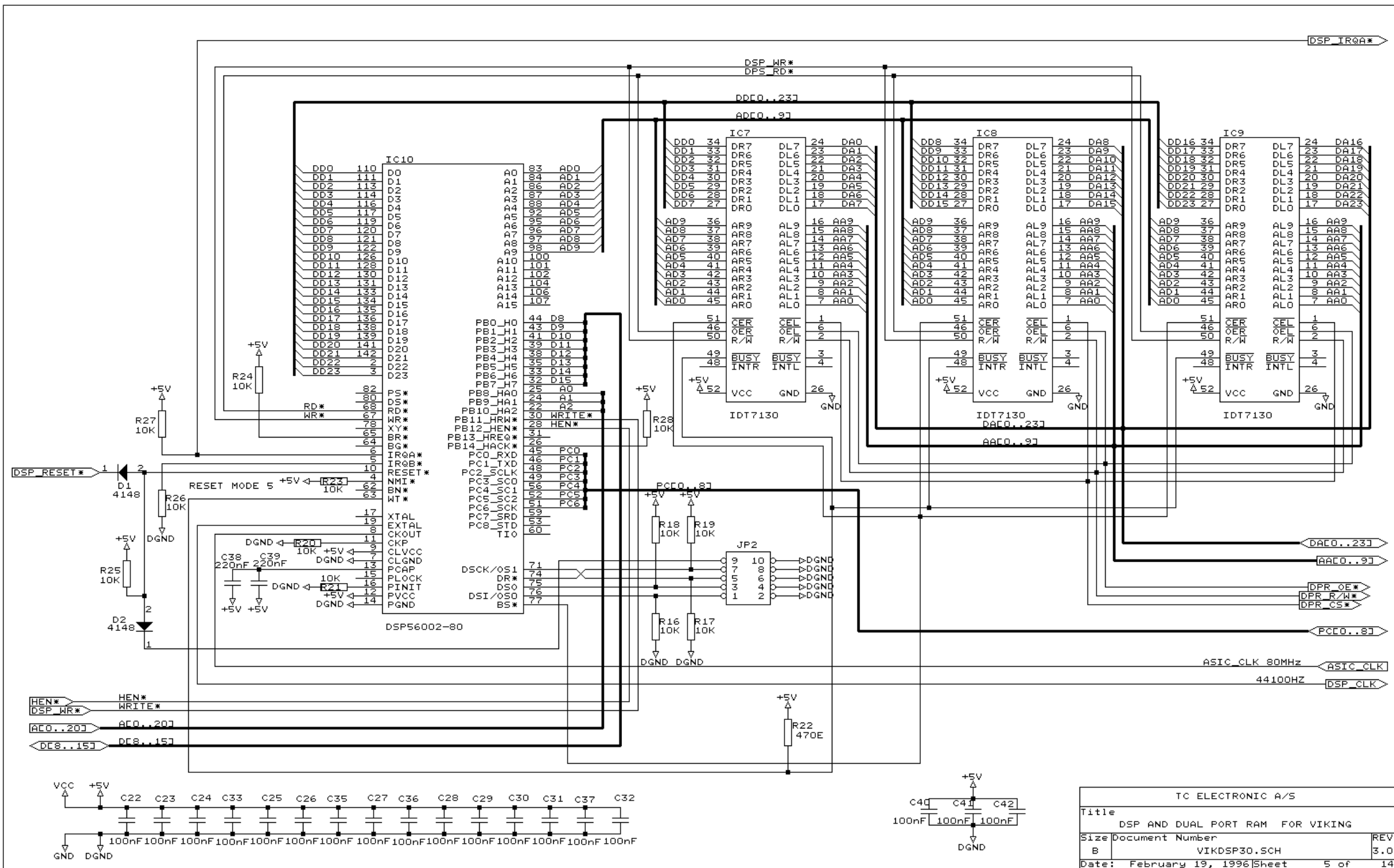


TC ELECTRONIC A/S		
Title AES/EBU AND SPDIF FOR VIKING		
Size	Document Number	REV
B	VIKAES30.SCH	3.0
Date:	February 19, 1996	Sheet 2 of 14

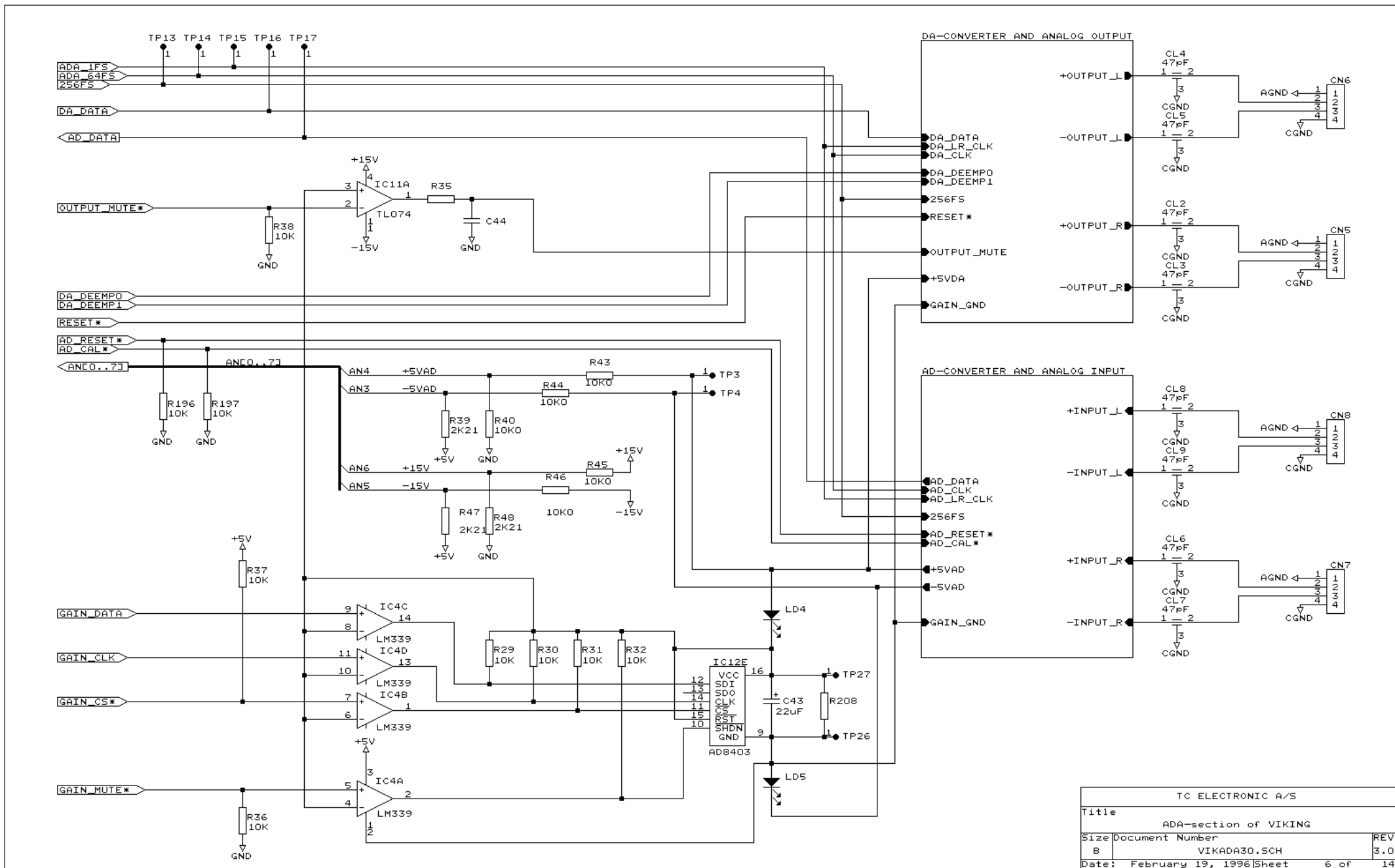


TC ELECTRONIC A/S		
Title		
MEMORY FOR DSP FOR VIKING		
Size	Document Number	REV
A	VIKDSM30.SCH	3.0
Date:	February 19, 1996	Sheet 3 of 14

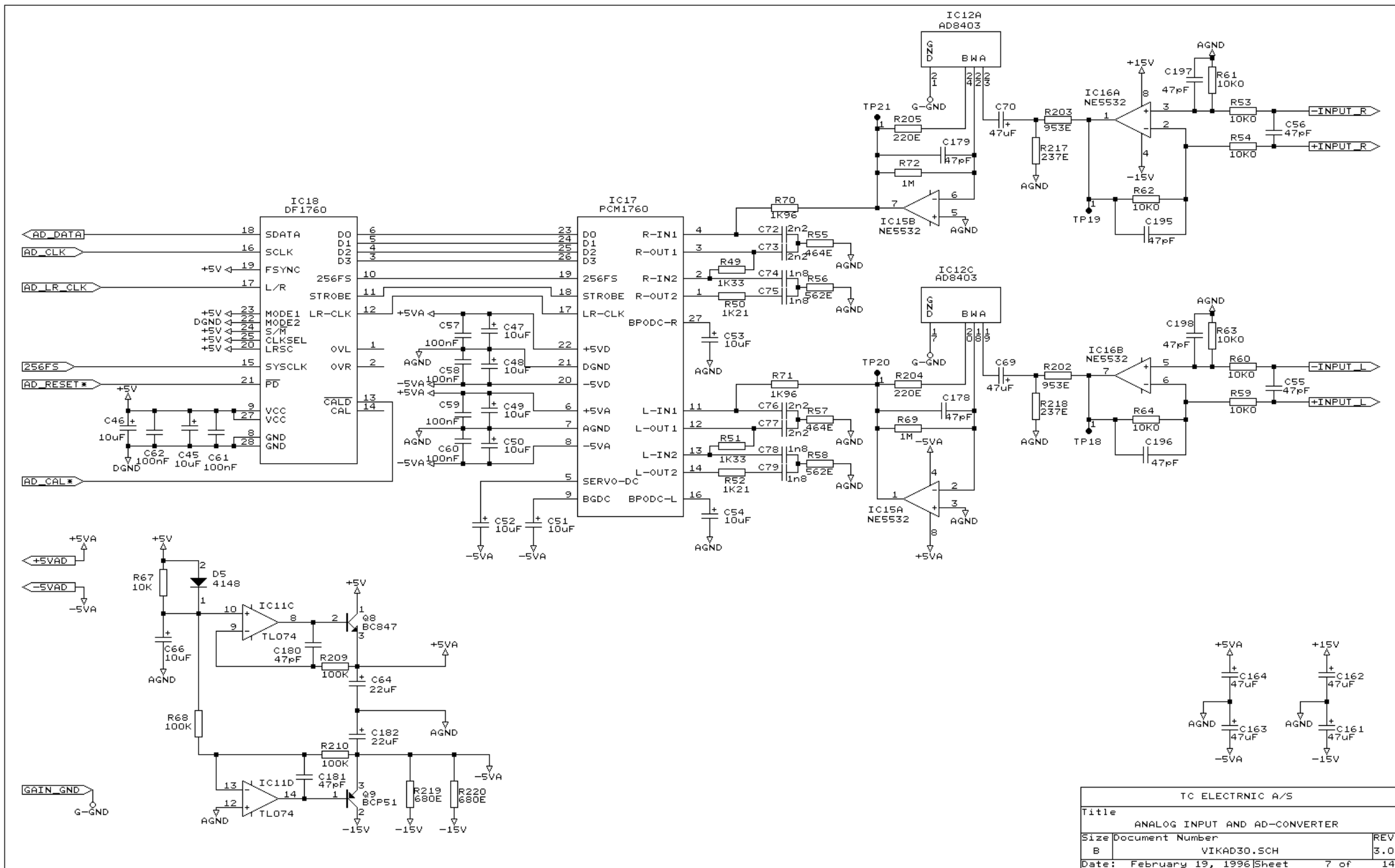




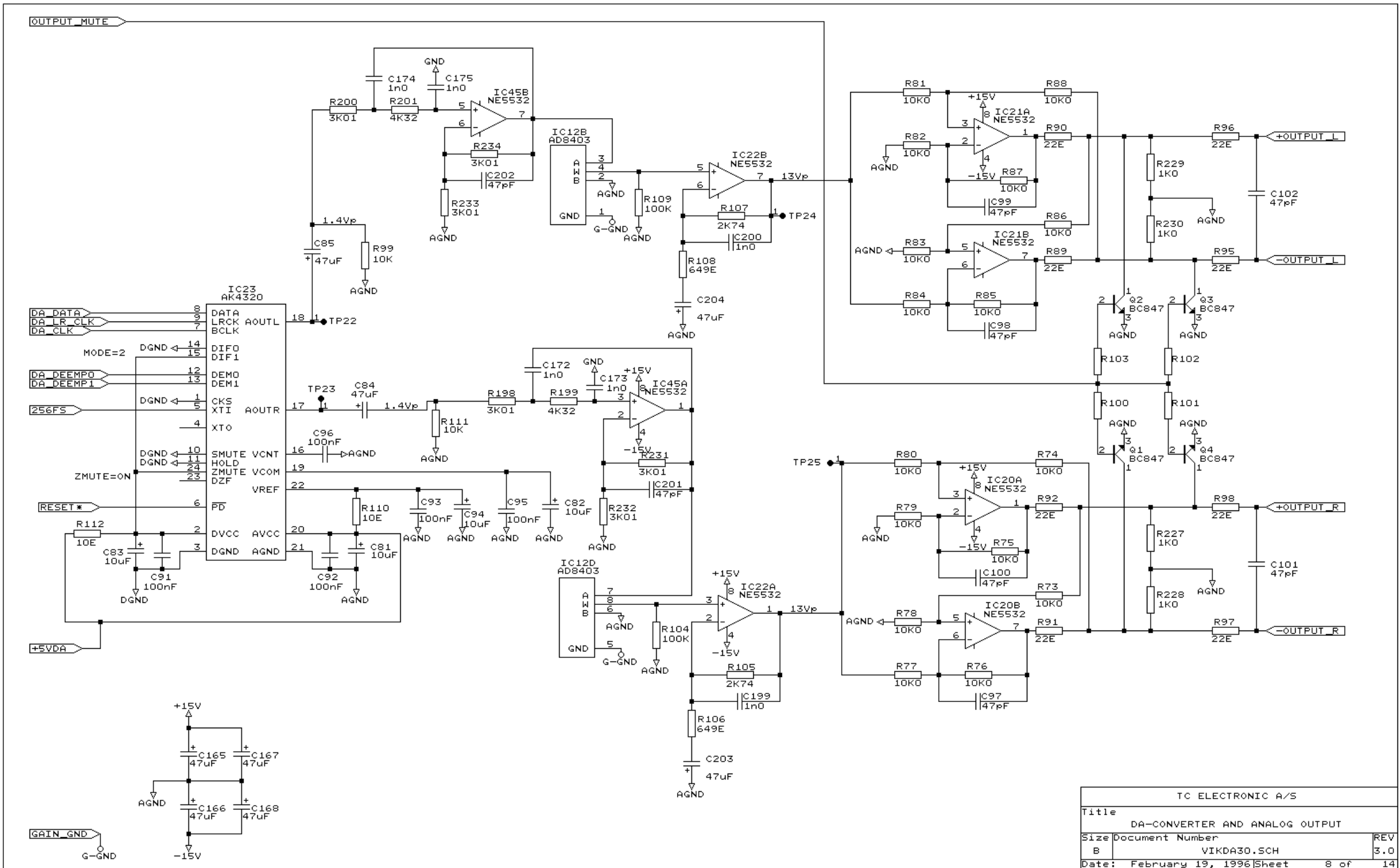
TC ELECTRONIC A/S		
Title DSP AND DUAL PORT RAM FOR VIKING		
Size	Document Number	REV
B	VIKDSP30.SCH	3.0
Date:	February 19, 1996	Sheet 5 of 14



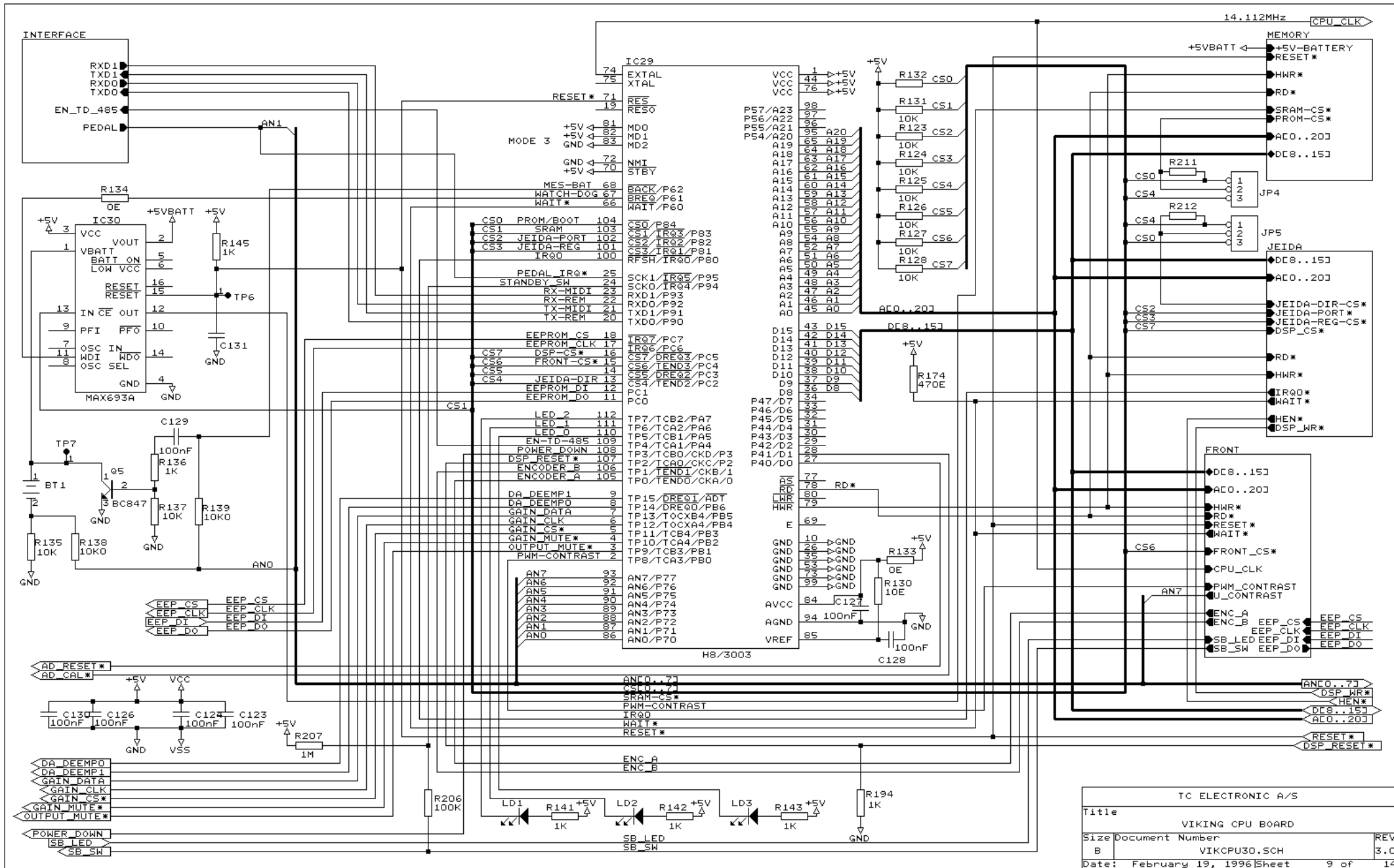
TC ELECTRONIC A/S		
Title ADA-section of VIKING		
Size	Document Number	REV
B	VIKADA30.SCH	3.0
Date:	February 19, 1996	Sheet 6 of 14



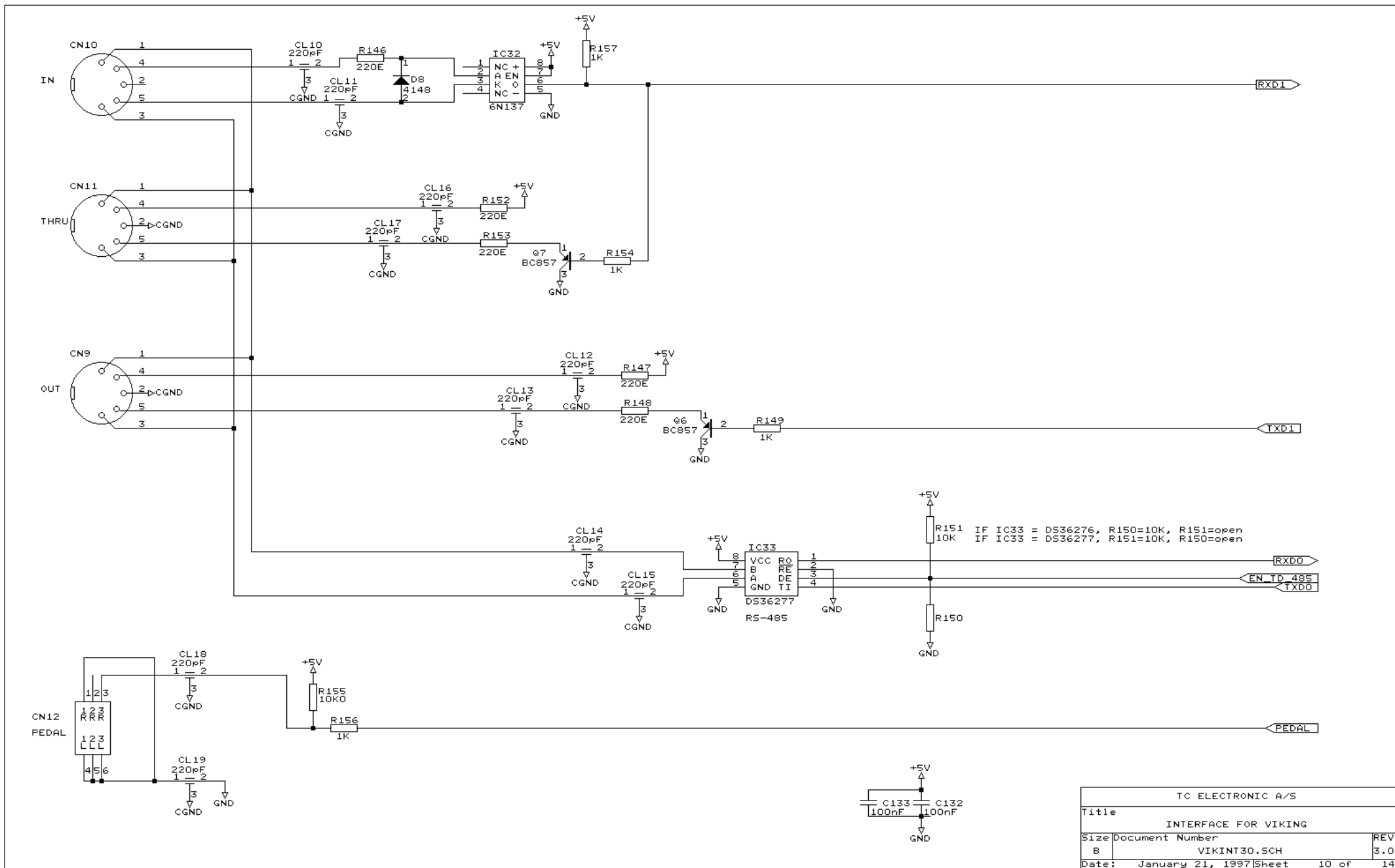
TC ELECTRONIC A/S		
Title ANALOG INPUT AND AD-CONVERTER		
Size	Document Number	REV
B	VIKAD30.SCH	3.0
Date:	February 19, 1996	Sheet 7 of 14



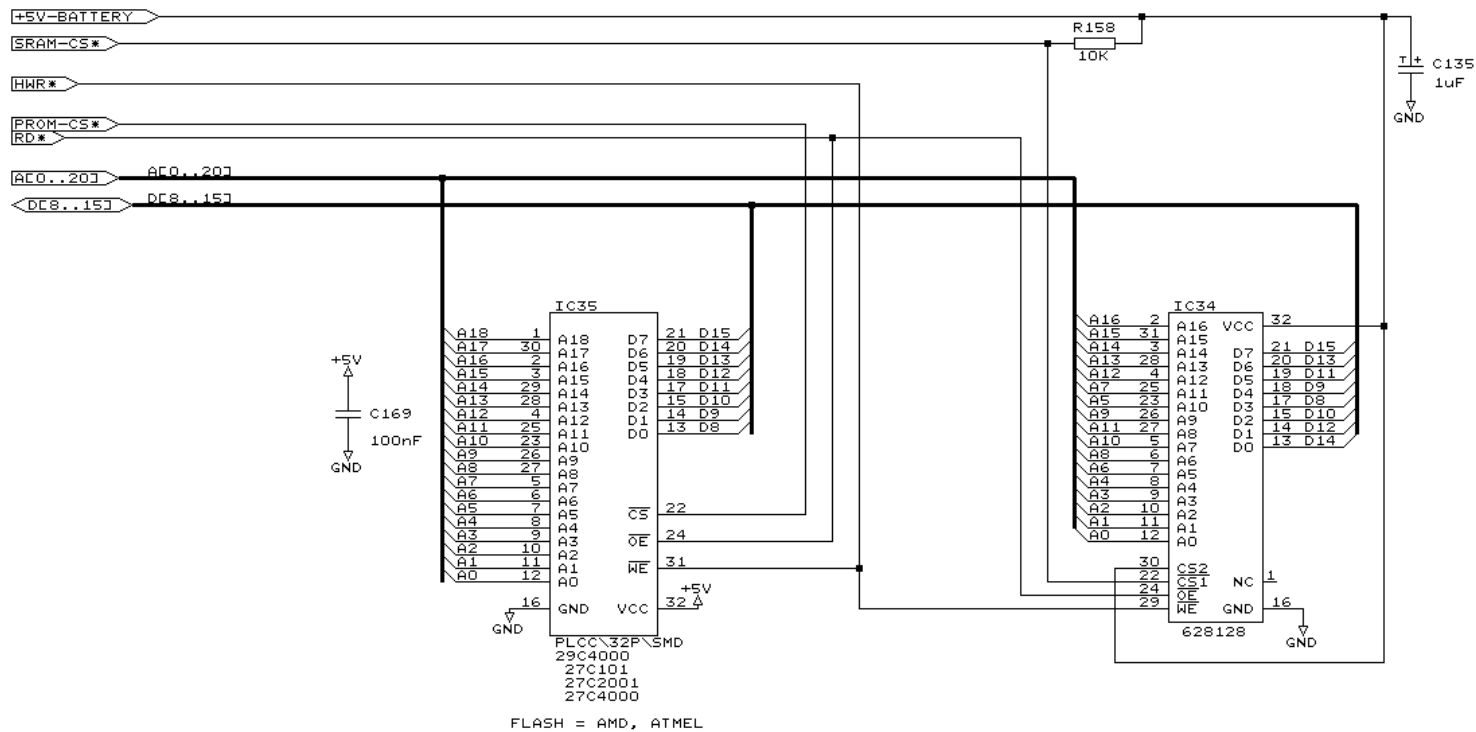
TC ELECTRONIC A/S		
Title DA-CONVERTER AND ANALOG OUTPUT		
Size B	Document Number VIKDA30.SCH	REV 3.0
Date: February 19, 1996	Sheet 8 of	14

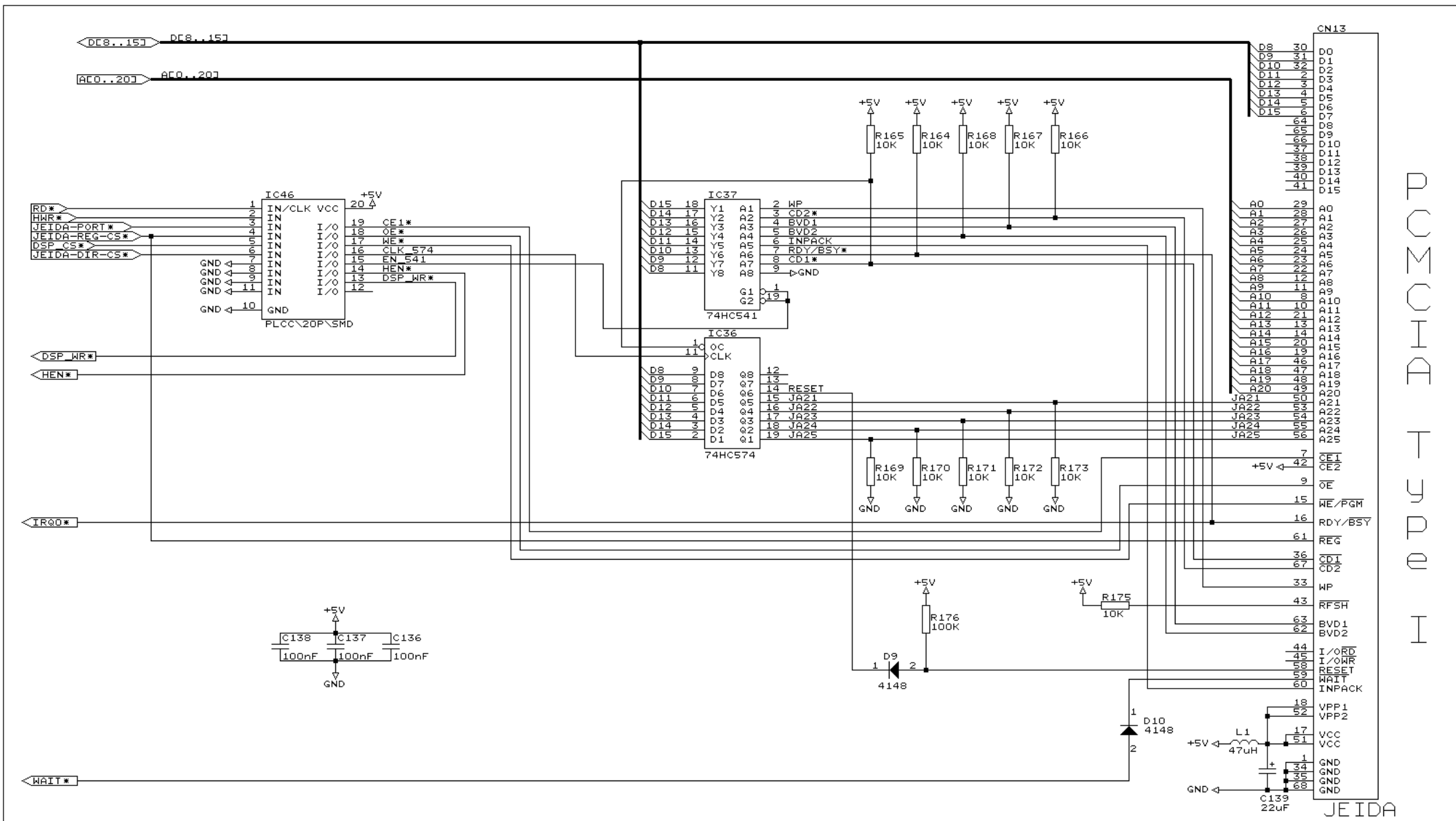


TC ELECTRONIC A/S		
Title VIKING CPU BOARD		
Size	Document Number	REV
B	VIKCPU30.SCH	3.0
Date:	February 19, 1996	Sheet 9 of 14



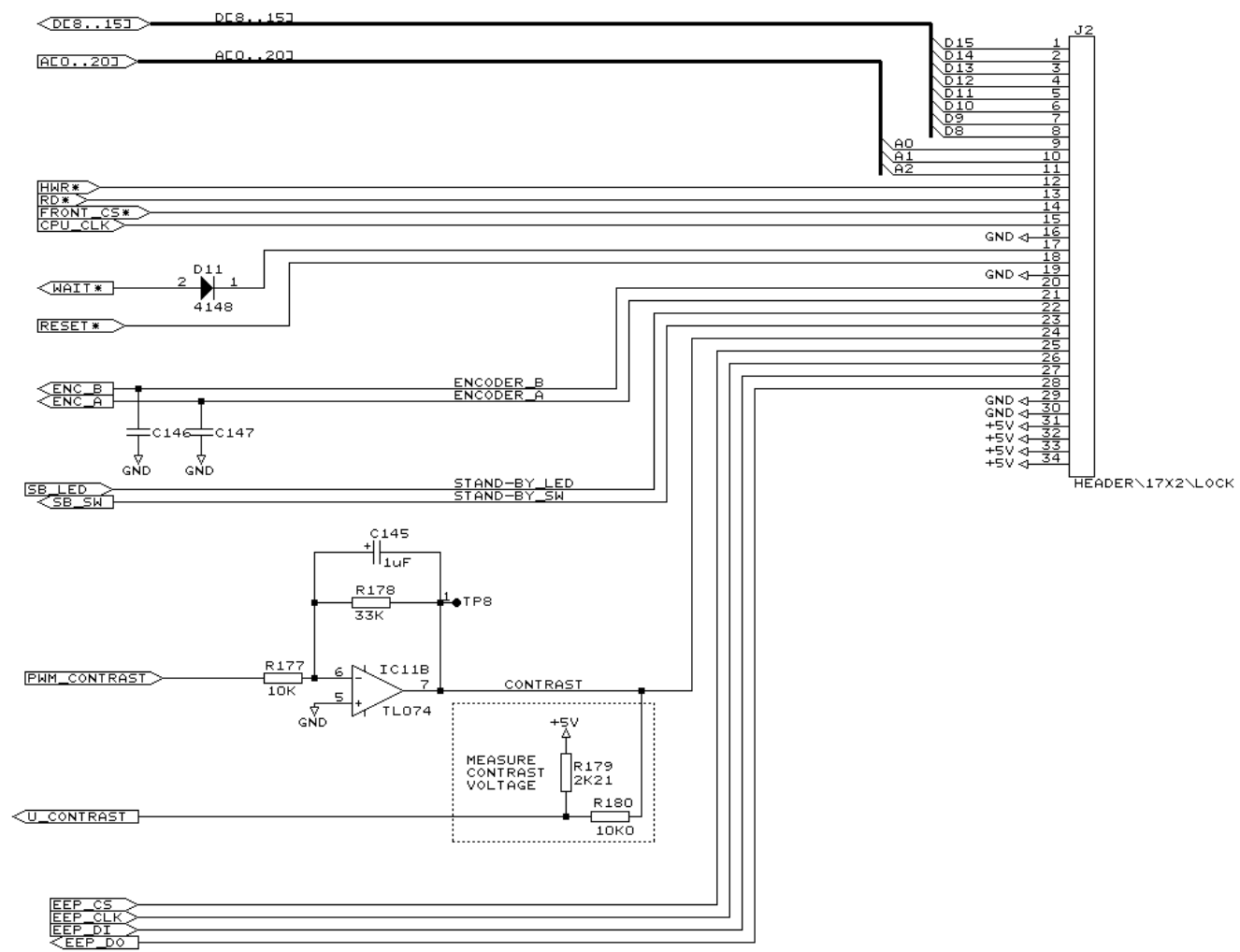
TC ELECTRONIC A/S		
Title		
INTERFACE FOR VIKING		
Size	Document Number	REV
B	VIKINT30.SCH	3.0
Date:	January 21, 1997	Sheet 10 of 14



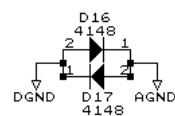
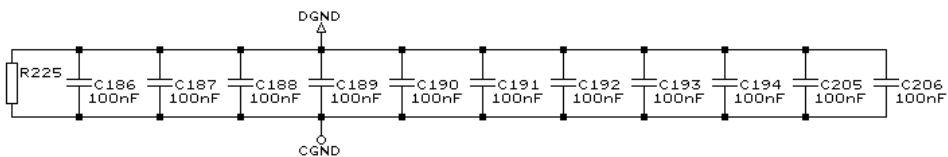
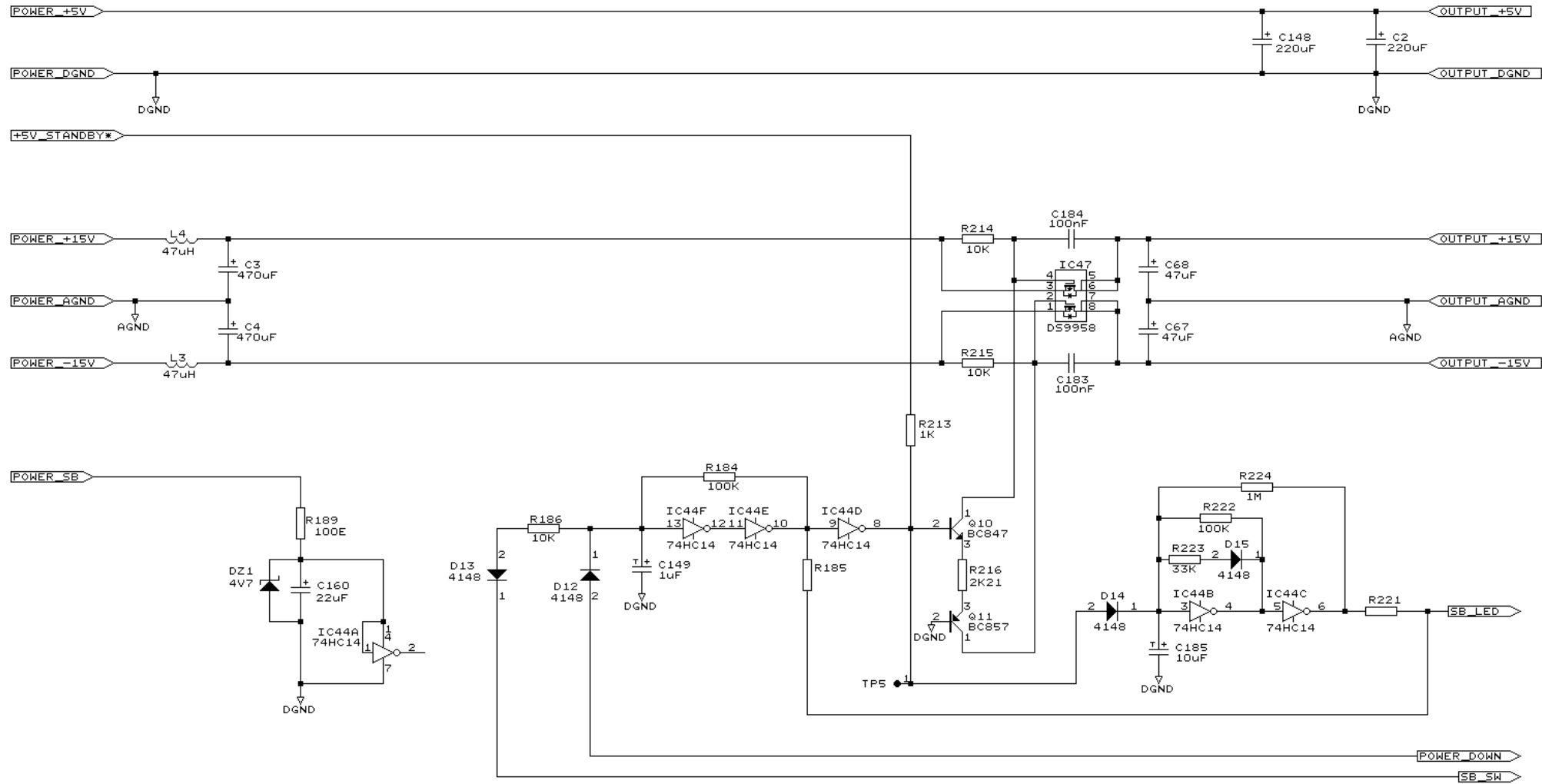


A H O M O P A T Y I

TC ELECTRONIC A/S		
Title JEIDA CONNECTOR FOR VIKING		
Size B	Document Number VIKJEI30.SCH	REV 3.0
Date: February 19, 1996	Sheet 12 of	14



TC ELECTRONIC A/S			
Title			
CONNECTION TO FRONT PCB FOR VIKING			
Size	Document Number	REV	
B	VIKFNT30.SCH	3.0	
Date:	February 19, 1996	Sheet	13 of 14



TC ELECTRONIC A/S		
Title	POWER SUPPLY AND STANDBY FOR VIKING	
Size	Document Number	REV
B	VIKPOH30.SCH	3.0
Date:	February 19, 1996	Sheet 14 of 14