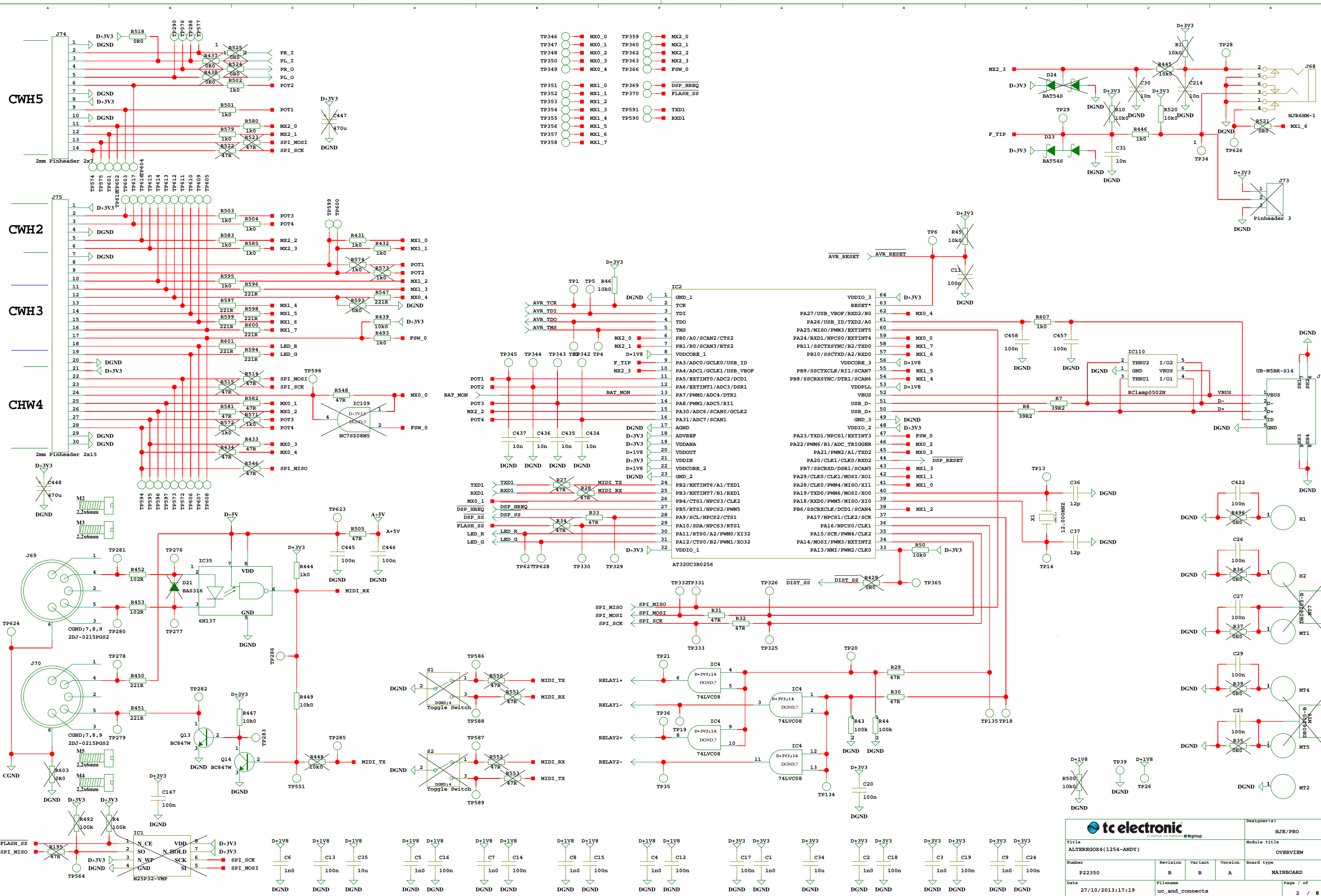
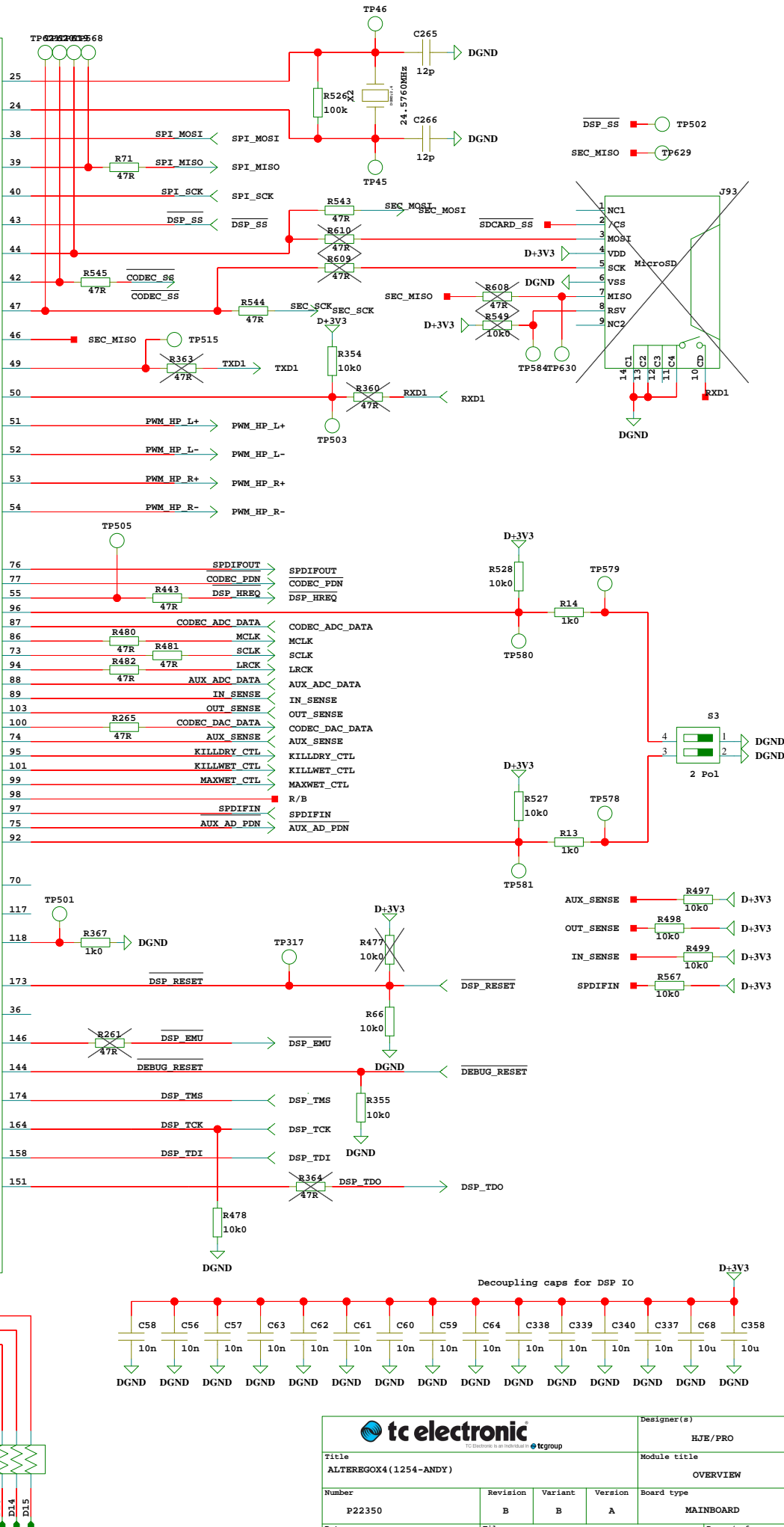
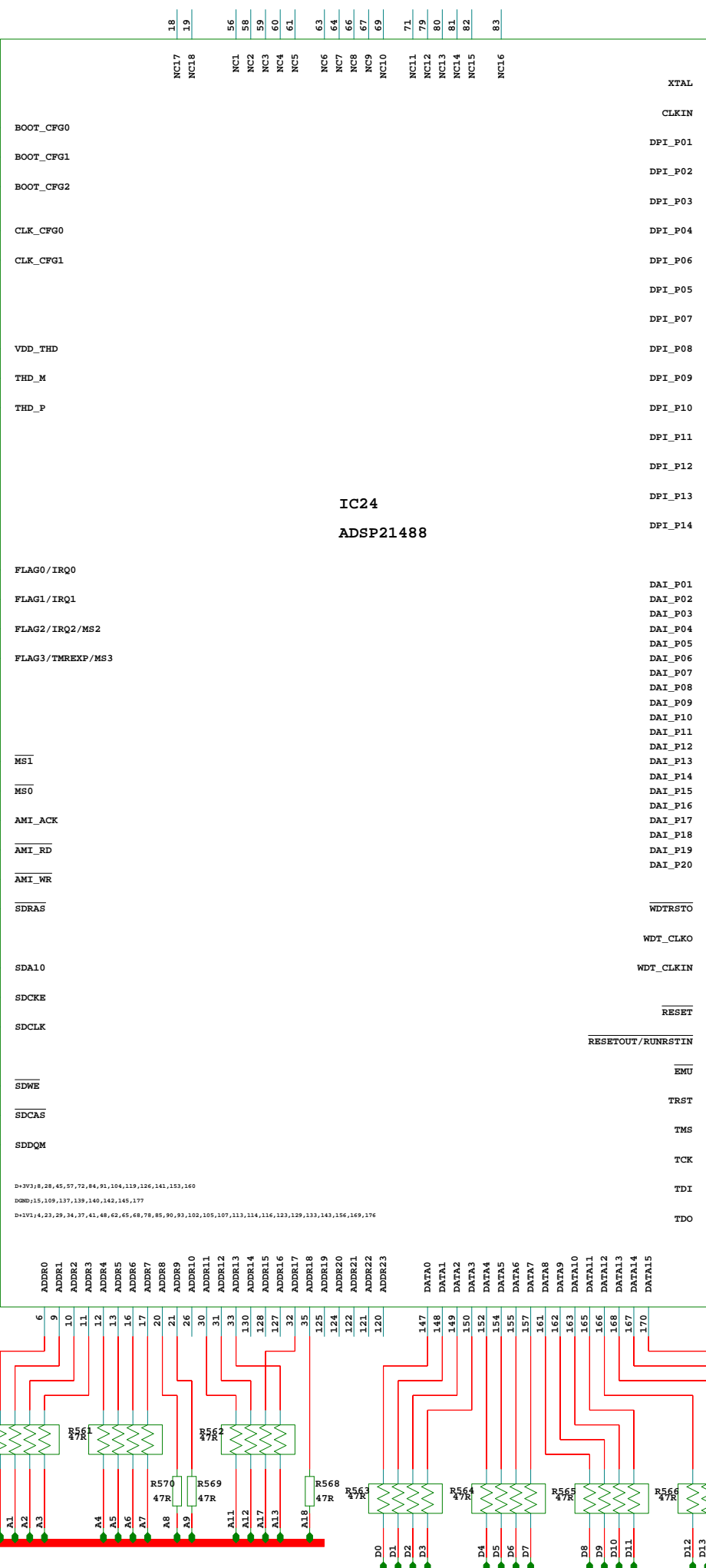
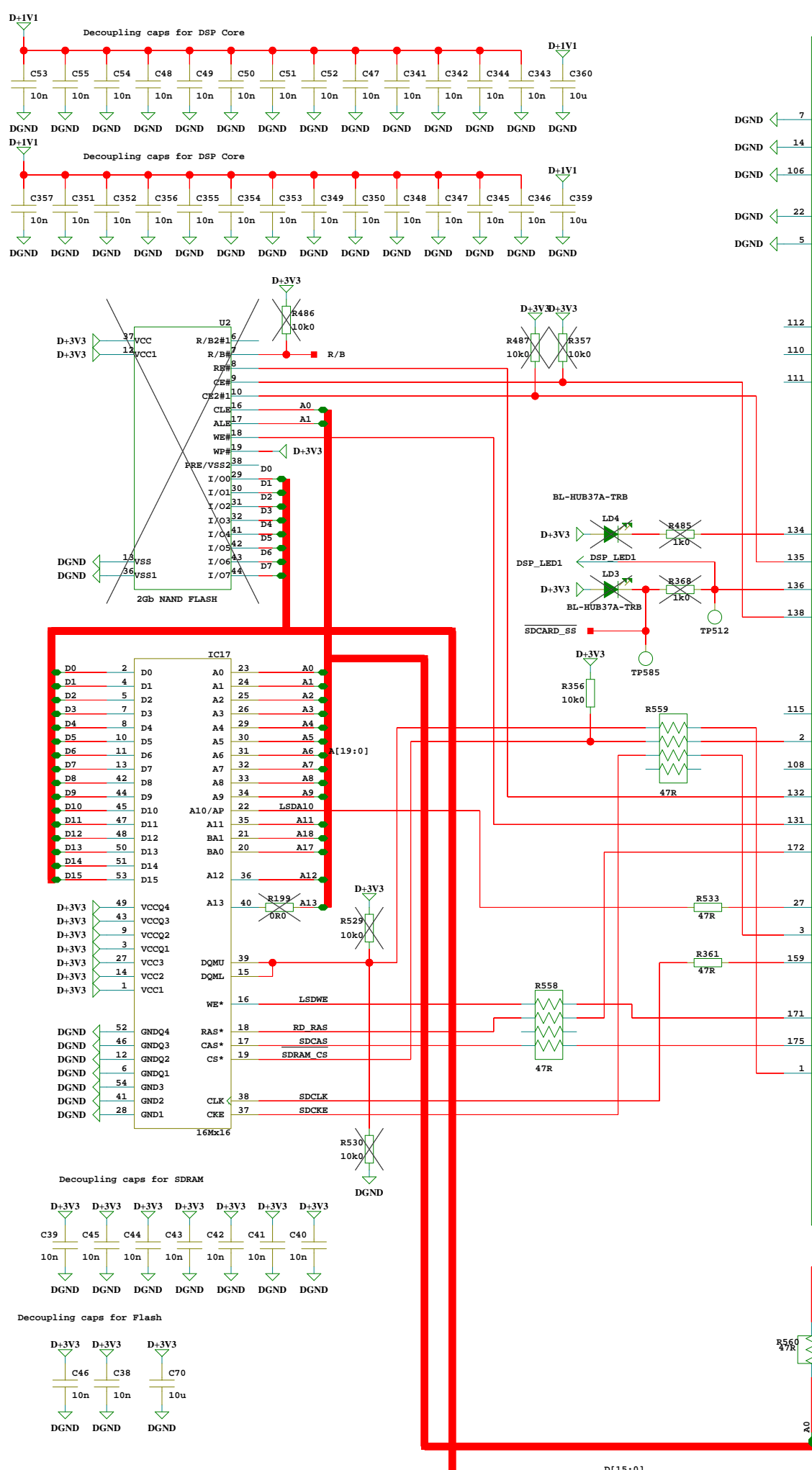


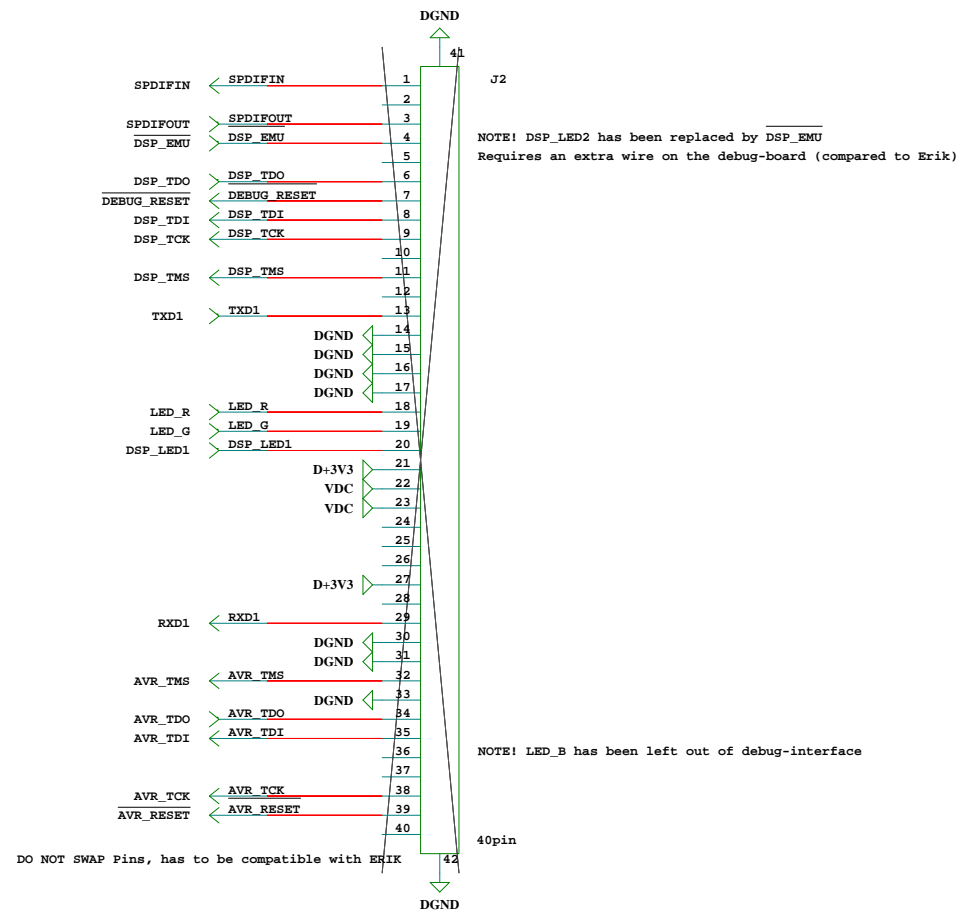
pcb  
M1  
P22350-B

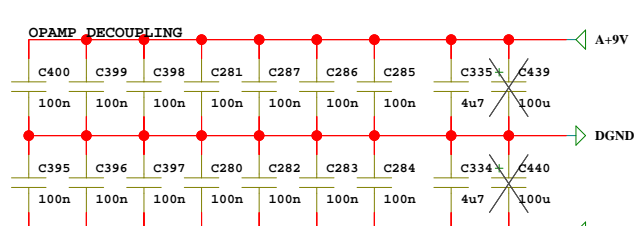
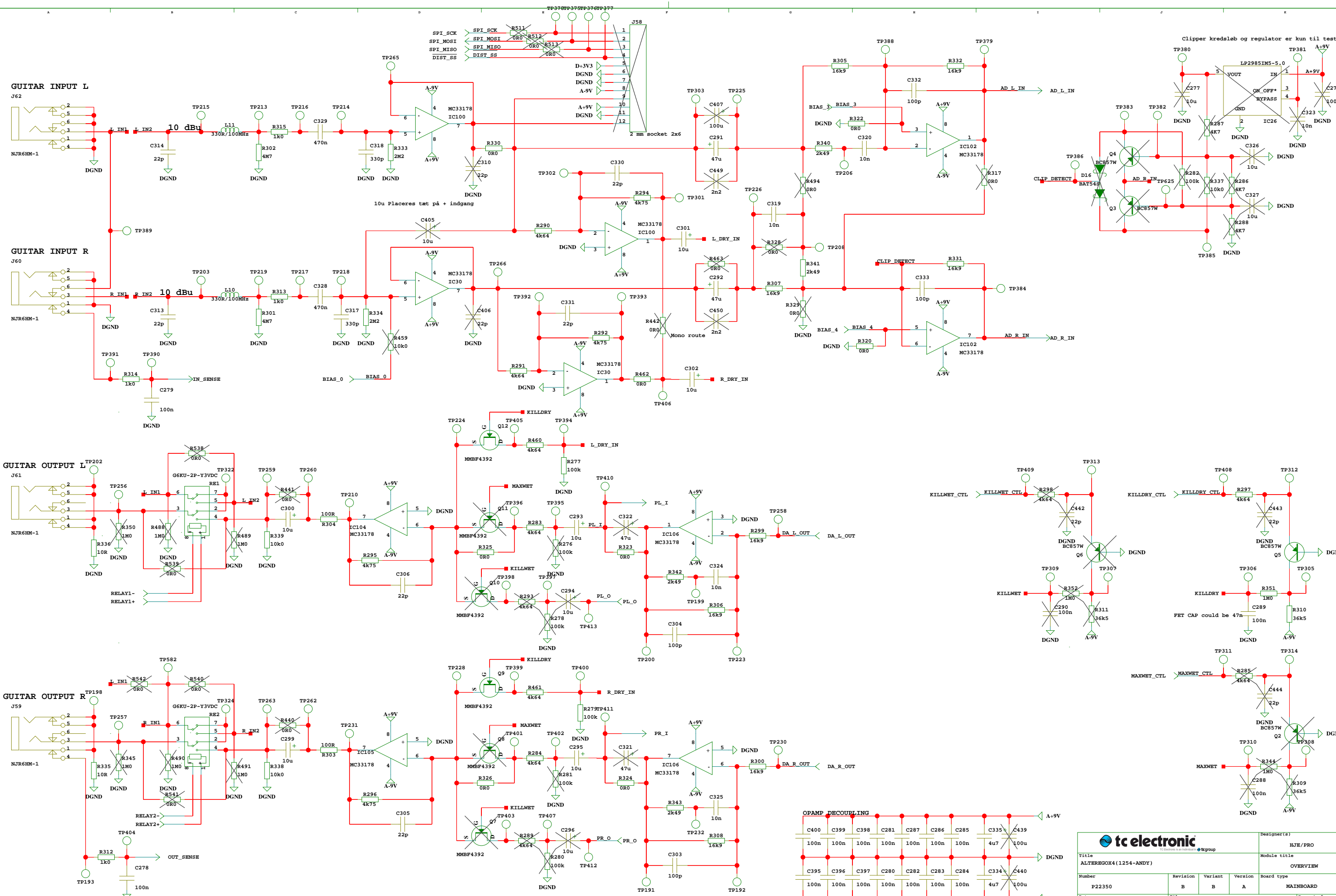
		Designer(s) HJE/PRO	
Title ALTERREGOX4(1254-ANDY)		Module title OVERVIEW	
Number P22350	Revision B	Variant B	Version A
Date 27/10/2013:17:18	Filename P22350-B	Board type MAINBOARD	
		Page / of 1 / 8	



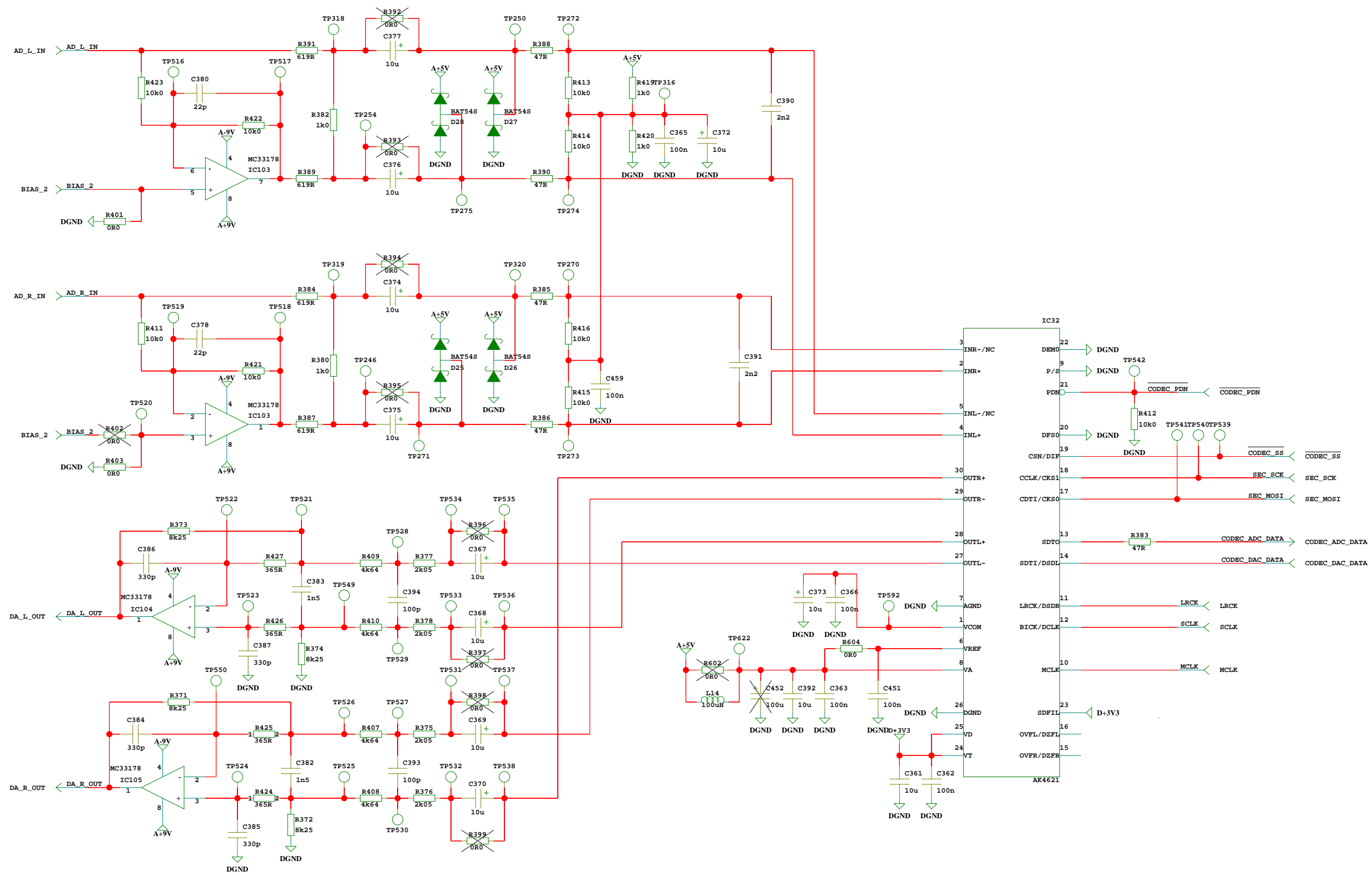
<b>tc electronic</b>		Designer(s)	
Title		HJE/PRO	
ALTERREGGX4(1254-ANDY)		Module title	
Number		OVERVIEW	
F22350	Revision	Variant	Version
	B	B	A
Date	Filename	Board type	
27/10/2013:17:19	uc_and_connects	MAINBOARD	
	Page / of		
	2 / 8		

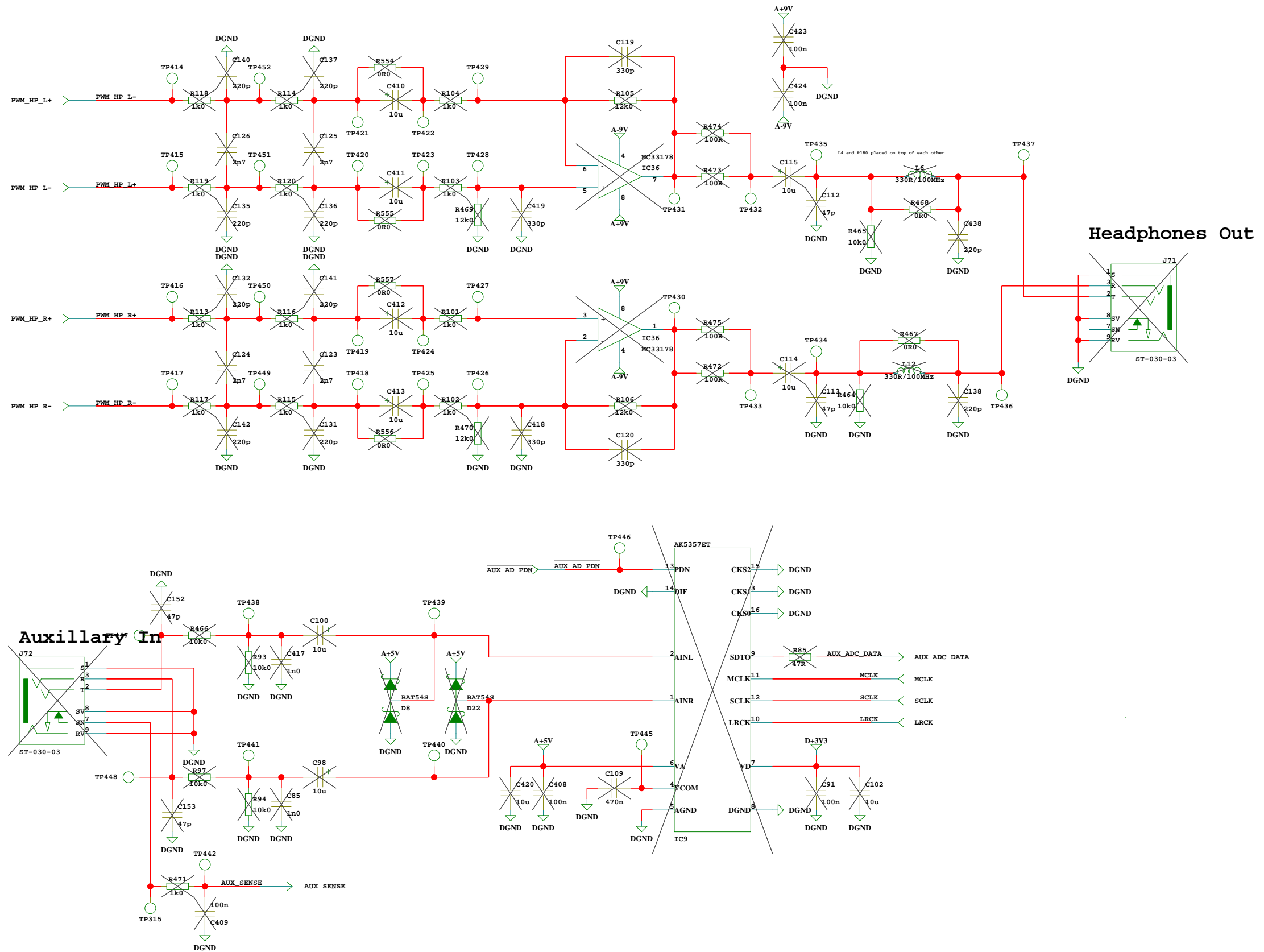






<b>tc electronic</b> <small>TC Electronic is a member of tkgroup</small>				Designer(s)	HJE/PRO
Title ALTERREGOX4(1254-ANDY)				Module title OVERVIEW	
Number P22350	Revision B	Variant B	Version A	Board type MAINBOARD	
Date 27/10/2013:17:19	Filename analog			Page / of 5 / 8	





		Designer(s)		HJE/PRO
Title		Revision		Module title
ALTERREGOX4(1254-ANDY)		B	B	OVERVIEW
Number	Revision	Variant	Version	Board type
F22350	B	B	A	MAINBOARD
Date	Filename	Page / of		
27/10/2013:17:20	phones_aux	7 / 8		

