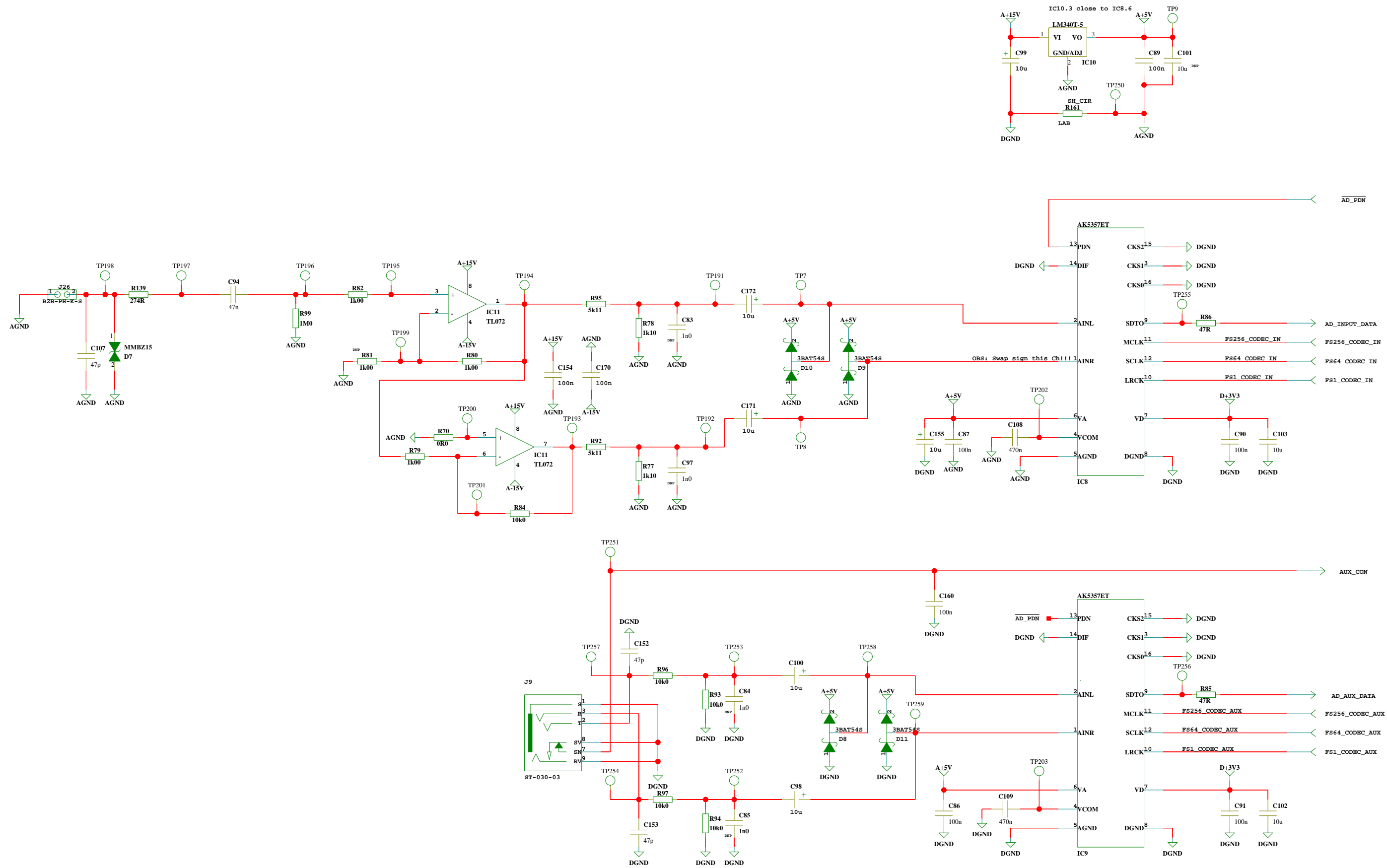
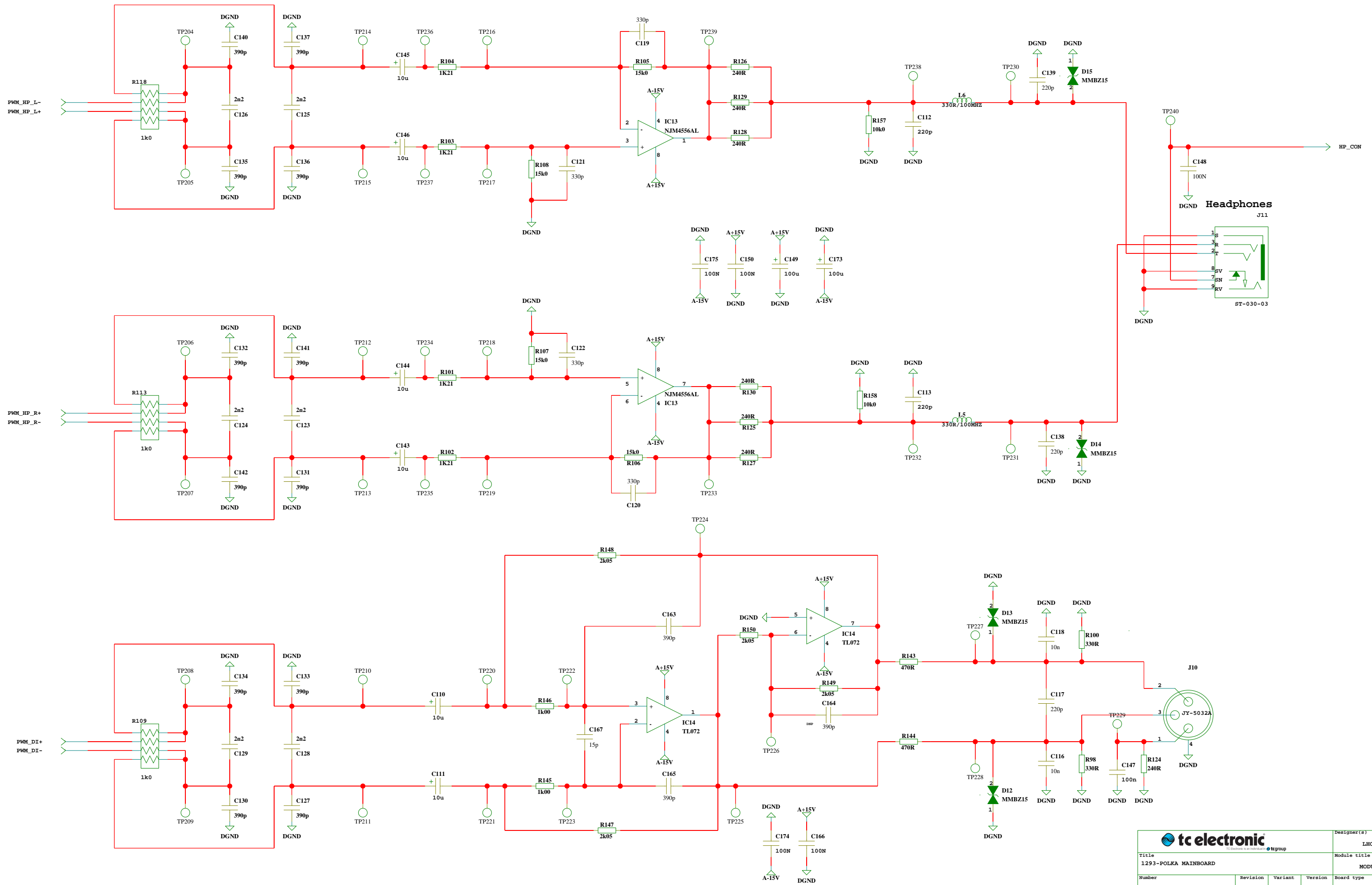


M1
P18121-B

tc electronic <small>TC Electronic is a member of tgroup</small>				Designer(s) LHO/PECOR	
Title 1293-POLKA MAINBOARD				Module title MODULE TITLE	
Number P18121	Revision B	Variant A	Version D	Board type MAINBOARD	
Date 30/07/2014:16:10	Filename P18121_a	Page / of 1 / 7			

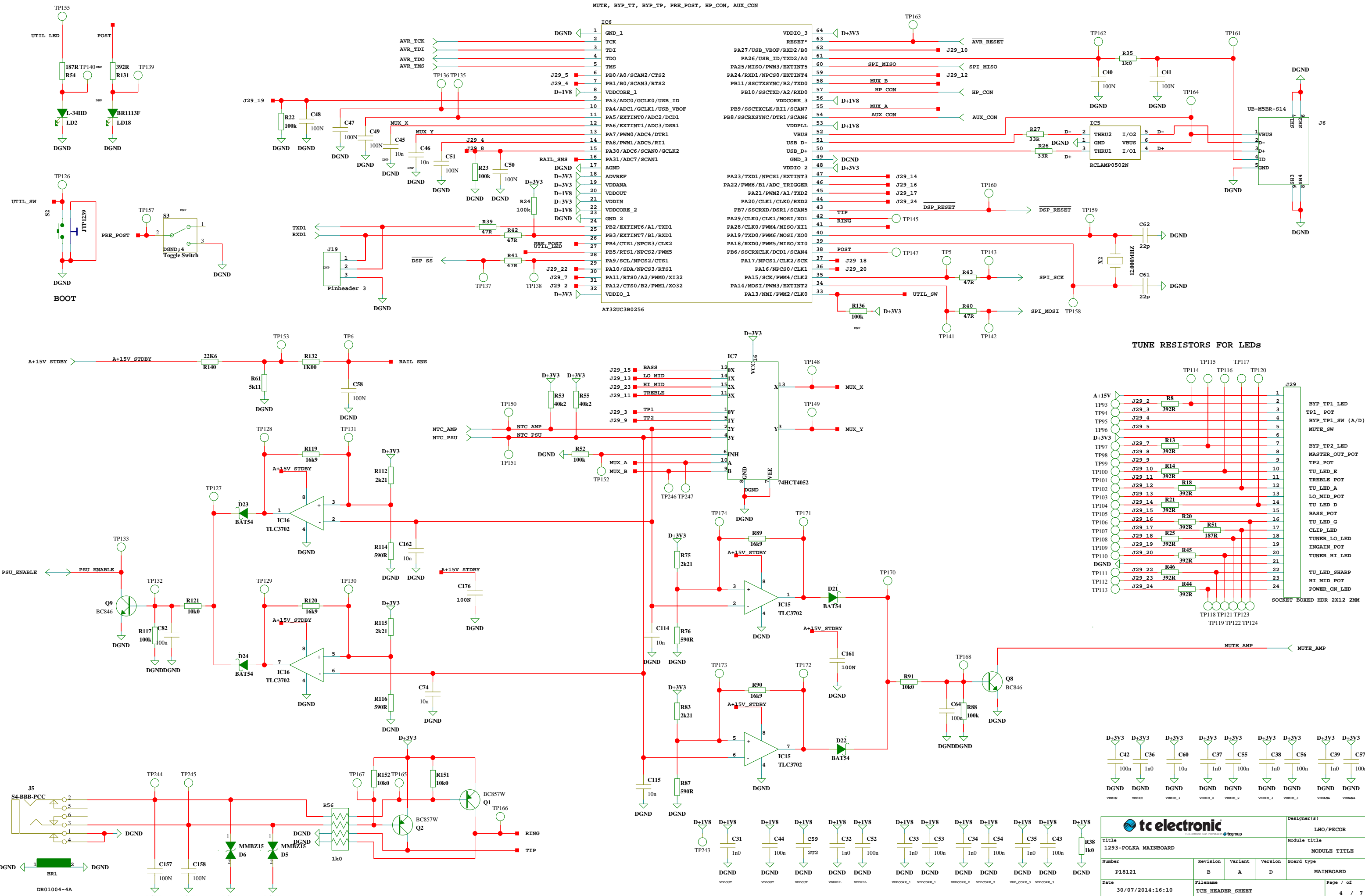




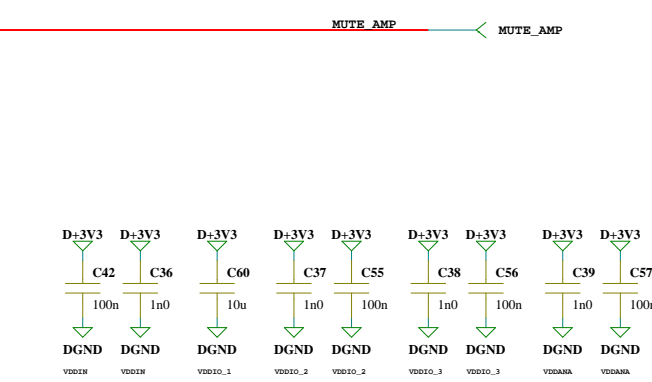
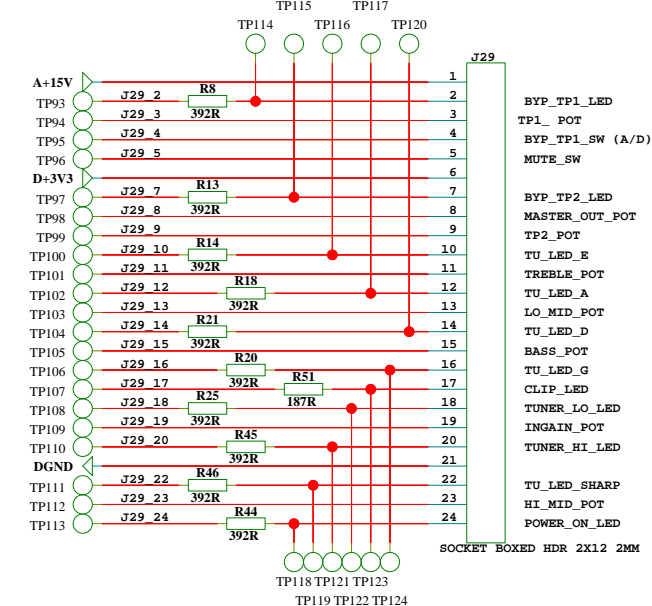
				Designer(s)	
Title				LHO/PECOR	
1293-POLKA MAINBOARD				Module title	
Number				MODULE TITLE	
F18121				Board type	
Date				MAINBOARD	
30/07/2014:16:10				Filename	
TCE_HEADER_SHEET				Page / of	
				7 / 7	

REMEMBER PULL:

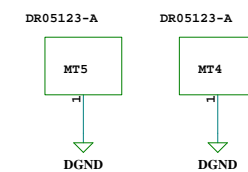
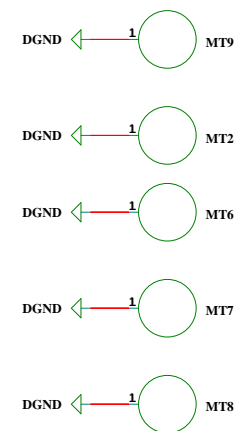
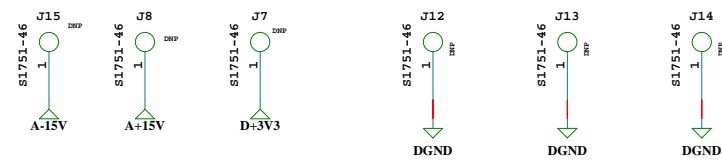
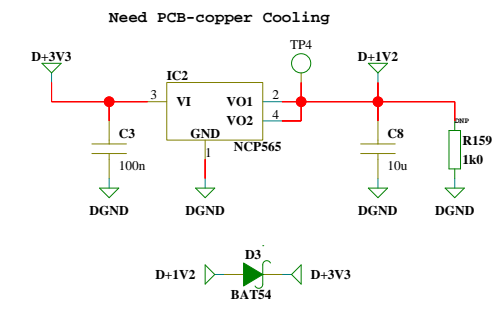
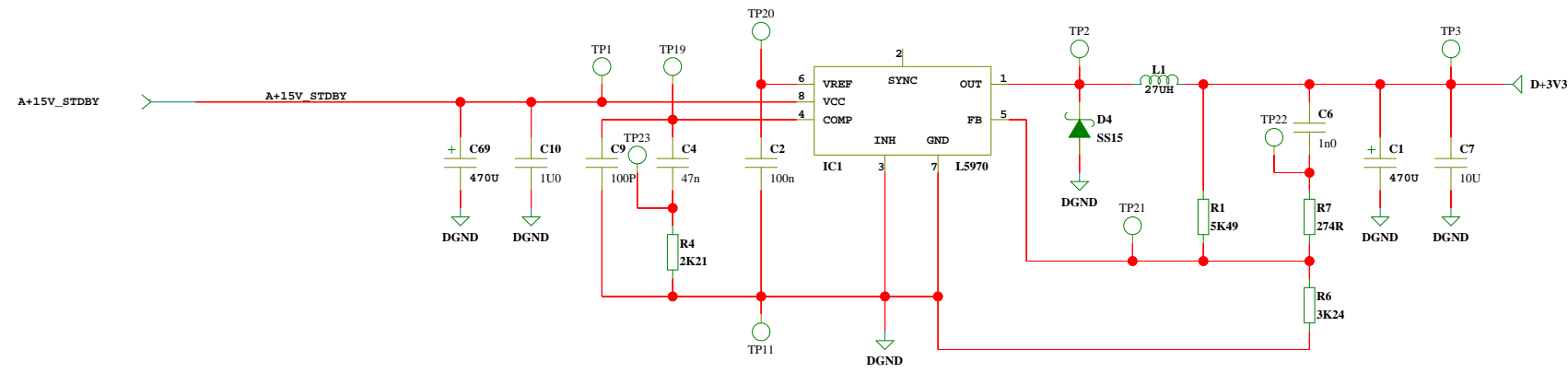
MUTE, BYP_TP, BYP_TP, PRE_POST, HP_CON, AUX_CON



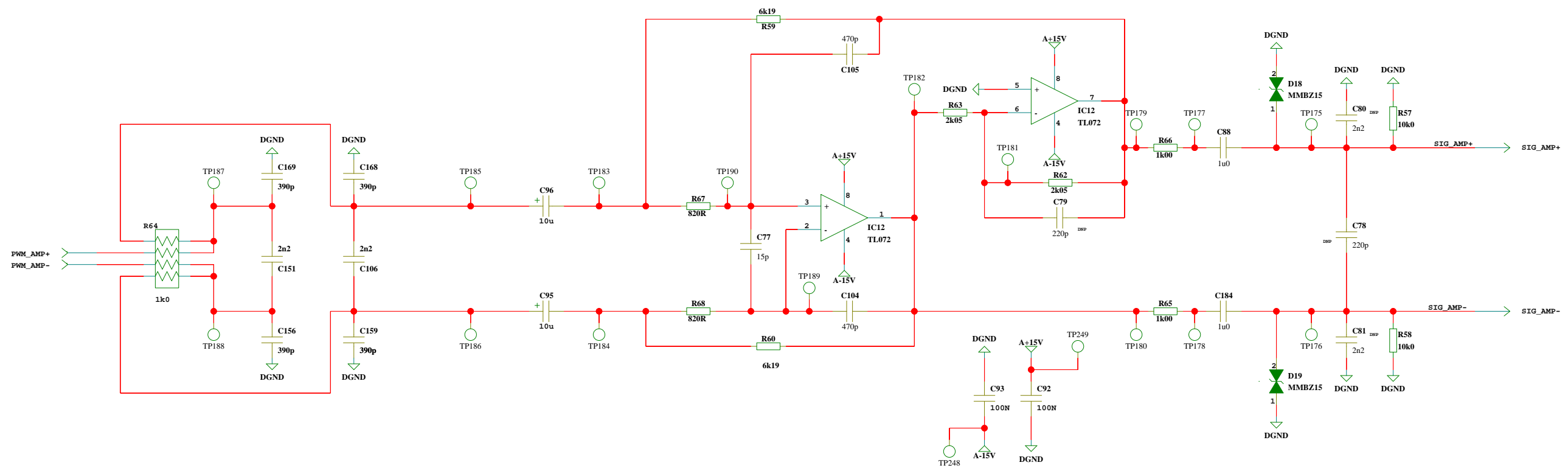
TUNE RESISTORS FOR LEDs



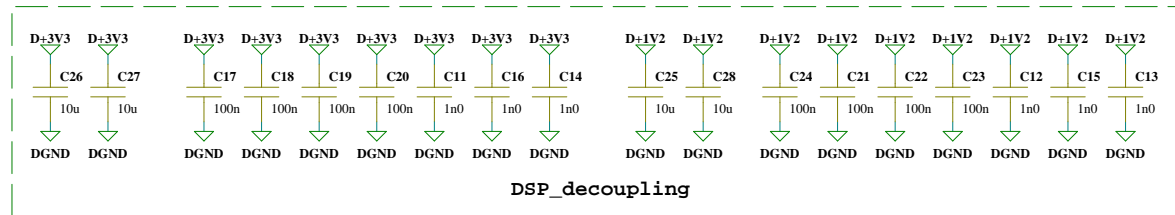
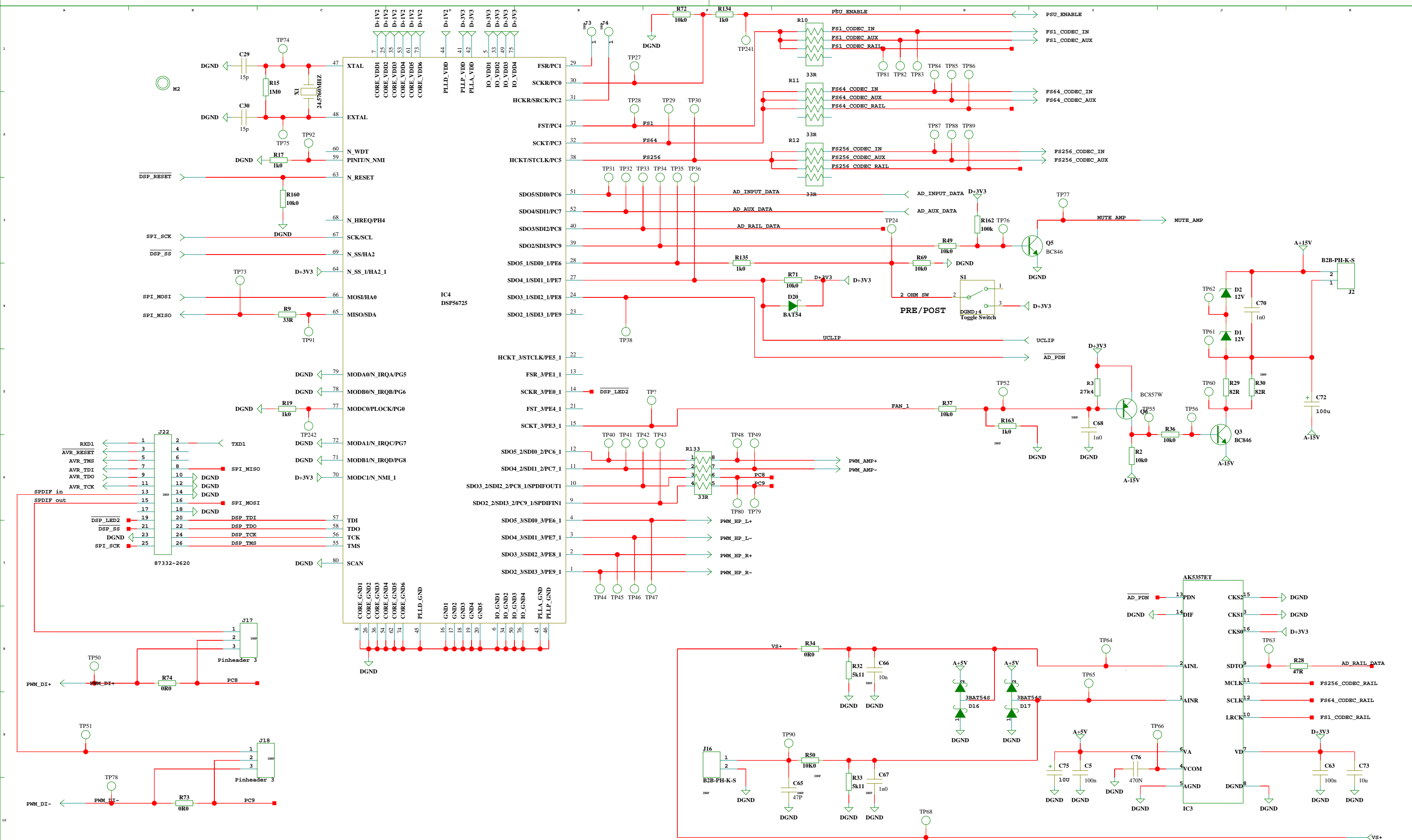
tc electronic				Designer(s)	
Title				LHO/PECOR	
1293-POLKA MAINBOARD				Module title	
Number				Board type	
F18121				MAINBOARD	
Date				Page / of	
30/07/2014:16:10				4 / 7	
Revision				Filename	
B A D				TCE_HEADER_SHEET	
Variant				Version	
A				D	



				Designer(s)	
				LHO/PECOR	
Title				Module title	
1293-POLKA MAINBOARD				MODULE TITLE	
Number	Revision	Variant	Version	Board type	
F18121	B	A	D	MAINBOARD	
Date	Filename			Page / of	
30/07/2014:16:10	supply			2 / 7	



				Designer(s)	
				LHO/PECOR	
Title				Module title	
1293-POLKA MAINBOARD				MODULE TITLE	
Number	Revision	Variant	Version	Board type	
F18121	B	A	D	MAINBOARD	
Date	Filename			Page / of	
30/07/2014:16:10	TCE_HEADER_SHEET			5 /	



				Designer(s) LHO/PECOR	
Title 1293-POLKA MAINBOARD				Module title MODULE TITLE	
Number F18121		Revision B	Variant A	Version D	Board type MAINBOARD
Date 30/07/2014:16:10	Filename TCE_HEADER_SHEET	Page / of		3 / 7	