

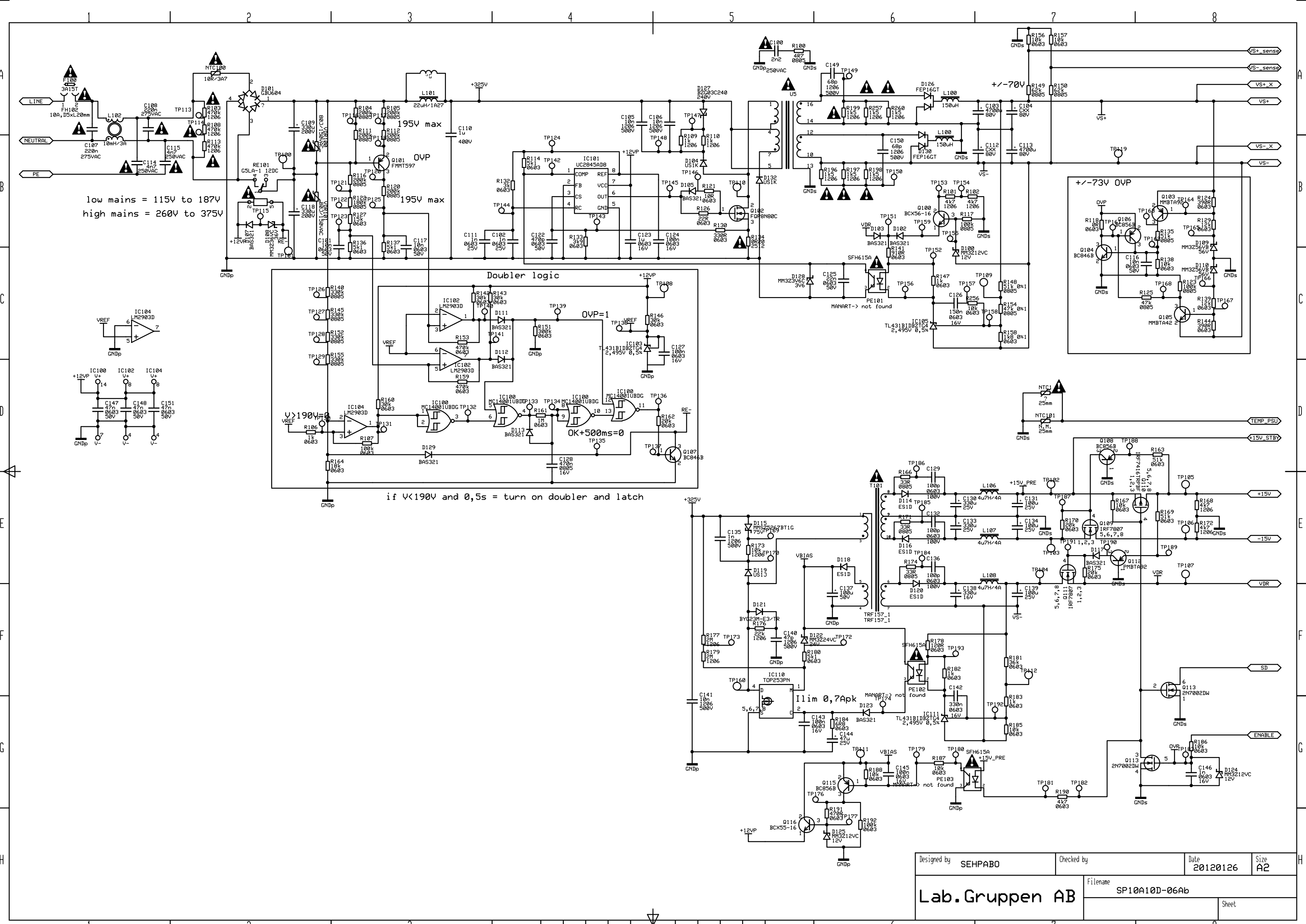
Designed by SEHPABO	Checked by	Date 20120126	Size A3
Lab. Gruppen AB		Filename SP10A10D-06Ab	
		Sheet	

ACC4 SPBA70.27A STICKER PBA70.27A UL RECOGNIZED FOR SP10A10D-XXAX

F

F

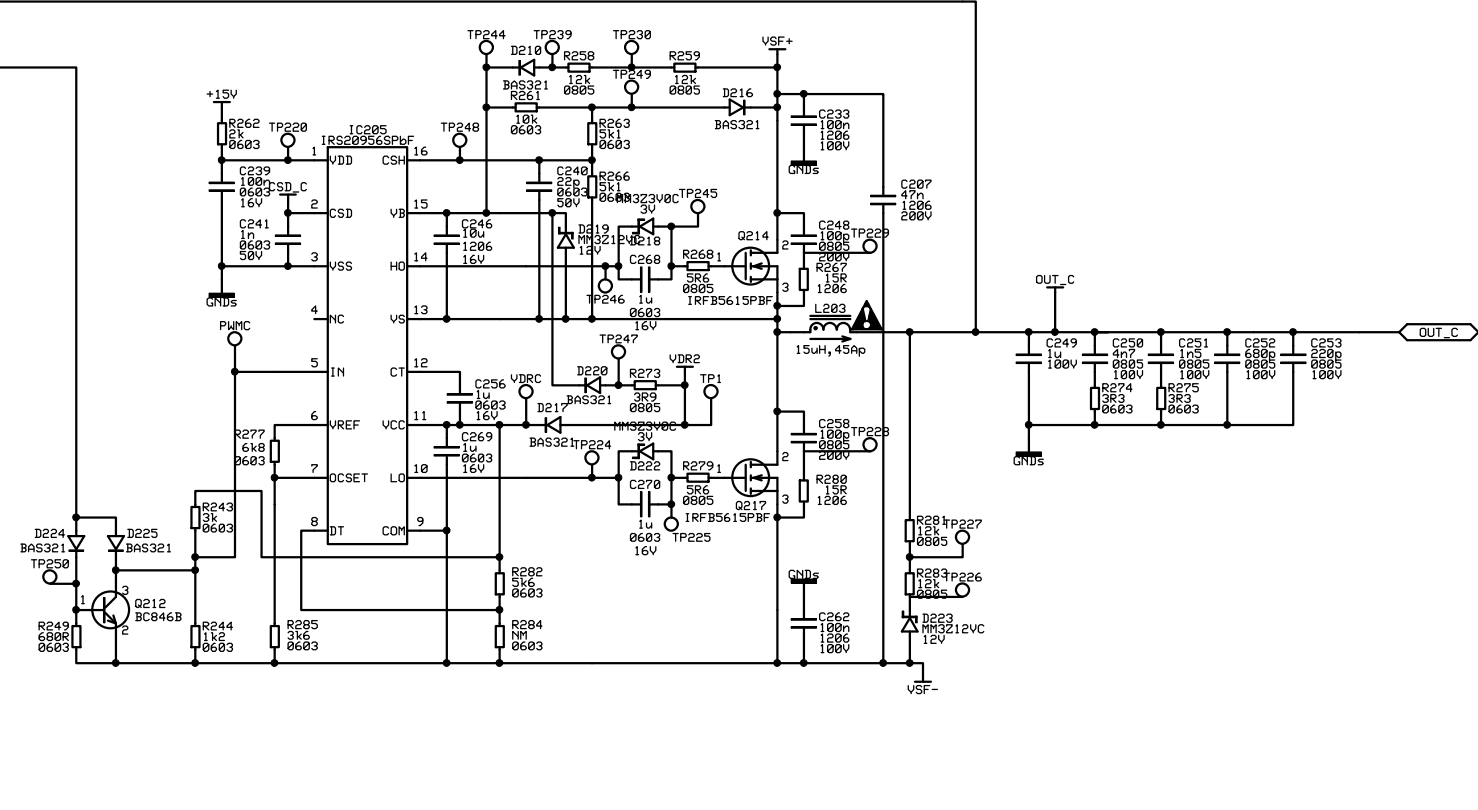
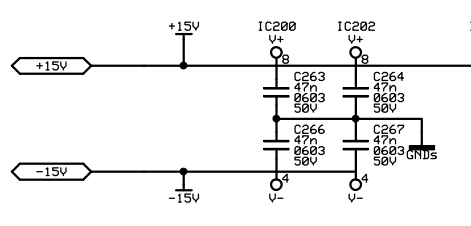
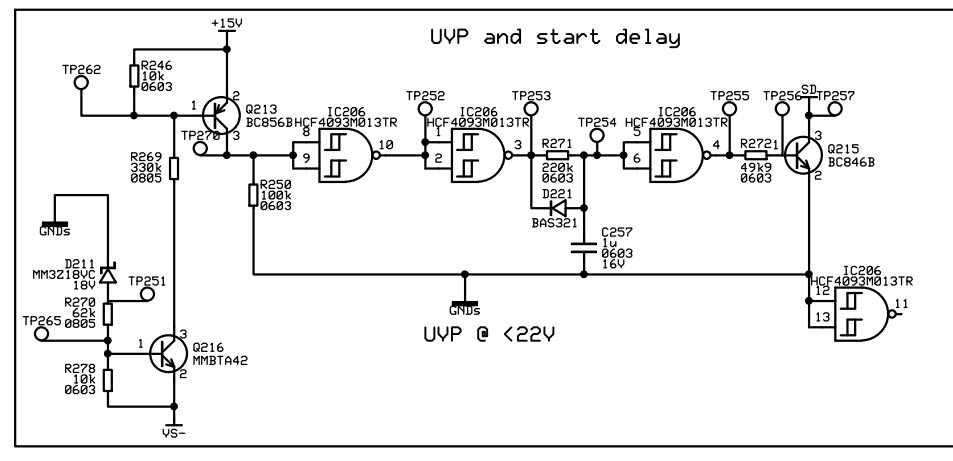
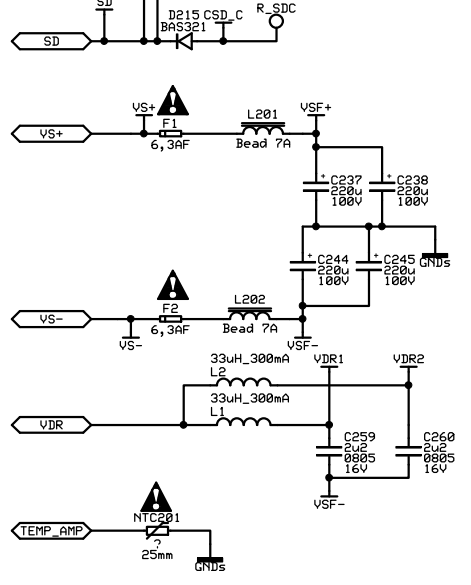
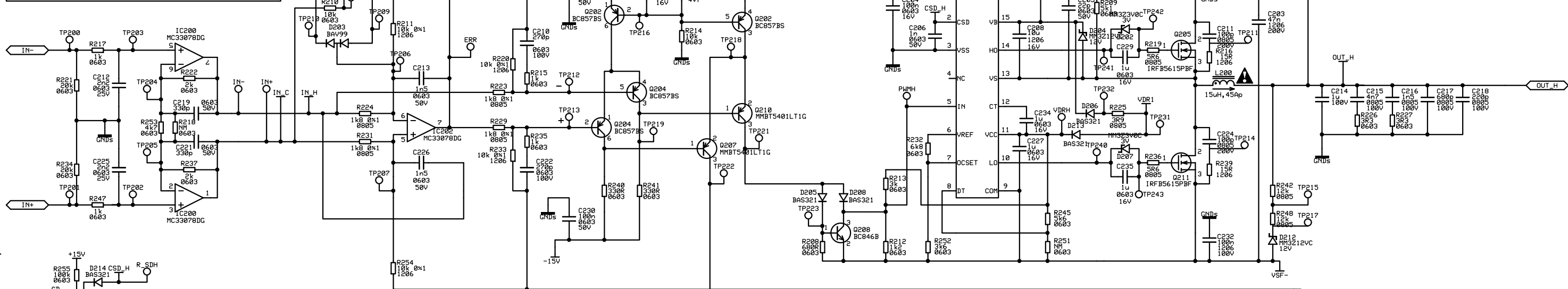
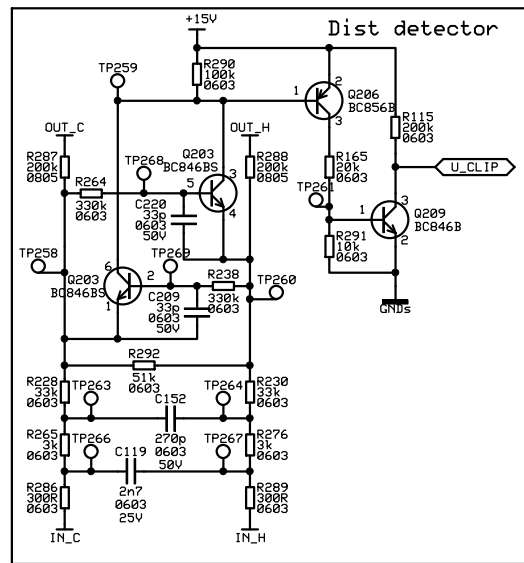
1 2 3 4 5 6 7 8



low mains = 115V to 187V
high mains = 260V to 375V

if $V < 190V$ and $0,5s =$ turn on doubler and latch

Designed by	SEHPABO	Checked by		Date	20120126	Size	A2
Lab. Gruppen AB		Filename		SP10A10D-06Ab			
				Sheet			



Designed by	SEHPABO	Checked by		Date	20120126	Size	A2
Lab. Gruppen AB		Filename		SP10A10D-06Ab			
				Sheet			