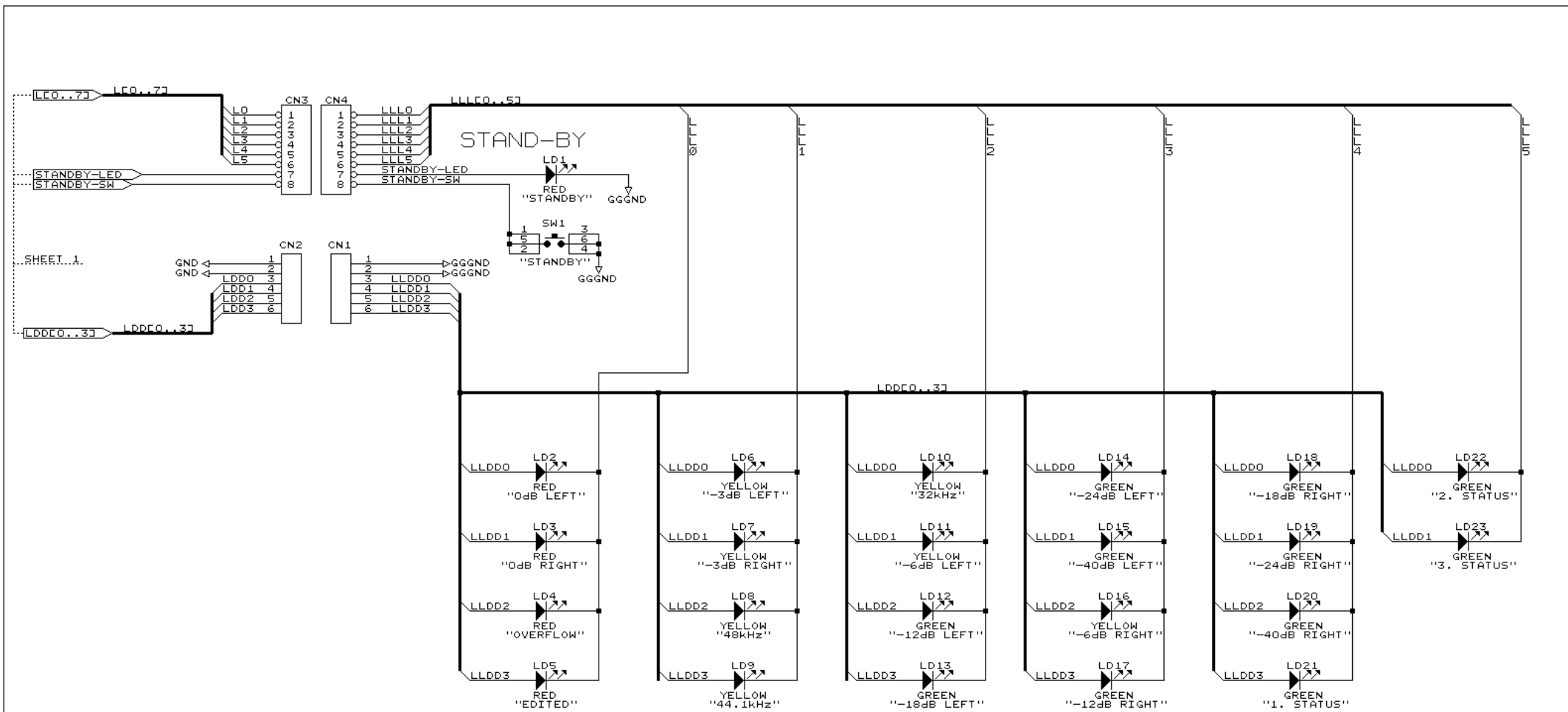
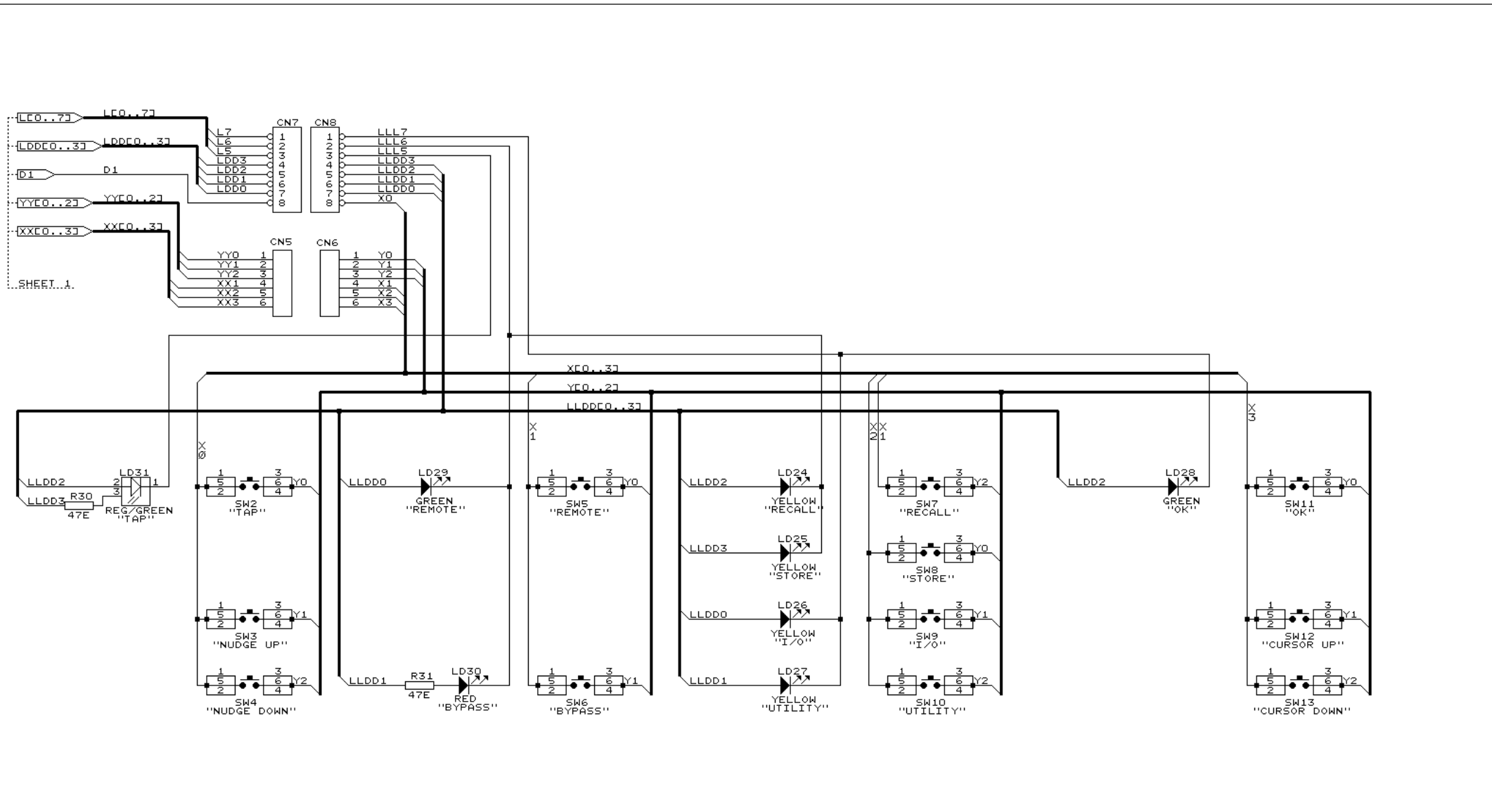


TC ELECTRONIC A/S		
PCB Name: PC12510-2		
Title "D22 FRONT"		
CONNECTION TO FRONT PCB FOR VIKING 10		
Size	Document Number	REV
B	P1251020.SCH	2.0
Date:	January 28, 2000	Sheet 1 of 3



(#) : NOT USED

TC ELECTRONIC A/S		
PCB Name: PC12510-2		
Title "D22 FRONT"		
LEFT FRONT PCB FOR VIKING 10		
Size	Document Number	REV
B	VK10LF20.SCH	2.0
Date:	January 14, 2000	Sheet 2 of 3



SHEET 1

(#) : NOT USED

TC ELECTRONIC A/S		
PCB Name: PC12510-2		
Title "D22 FRONT"		
RIGHT FRONT PCB FOR VIKING 10		
Size	Document Number	REV
B	VK10RF20.SCH	2.0
Date:	January 14, 2000	Sheet 3 of 3