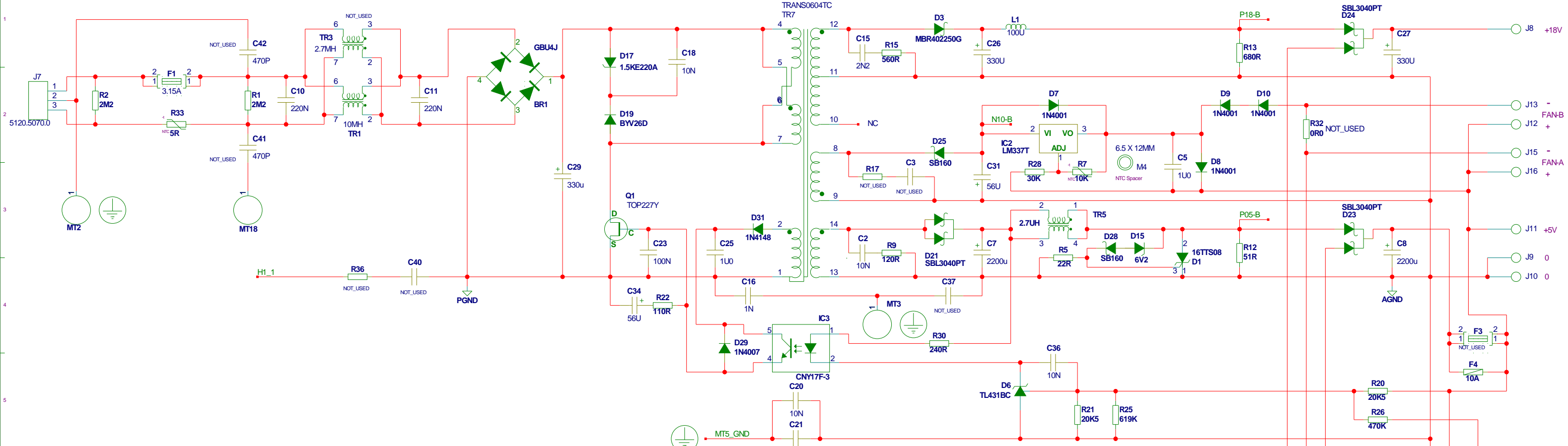
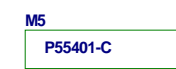
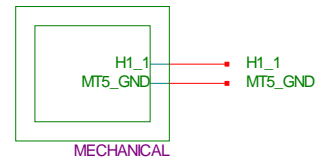
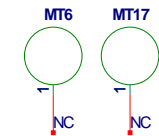
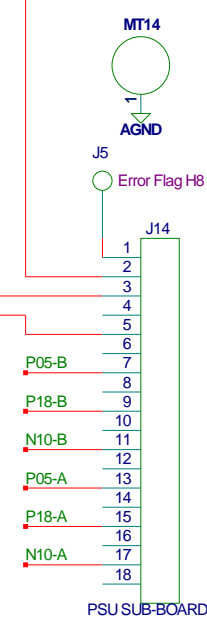
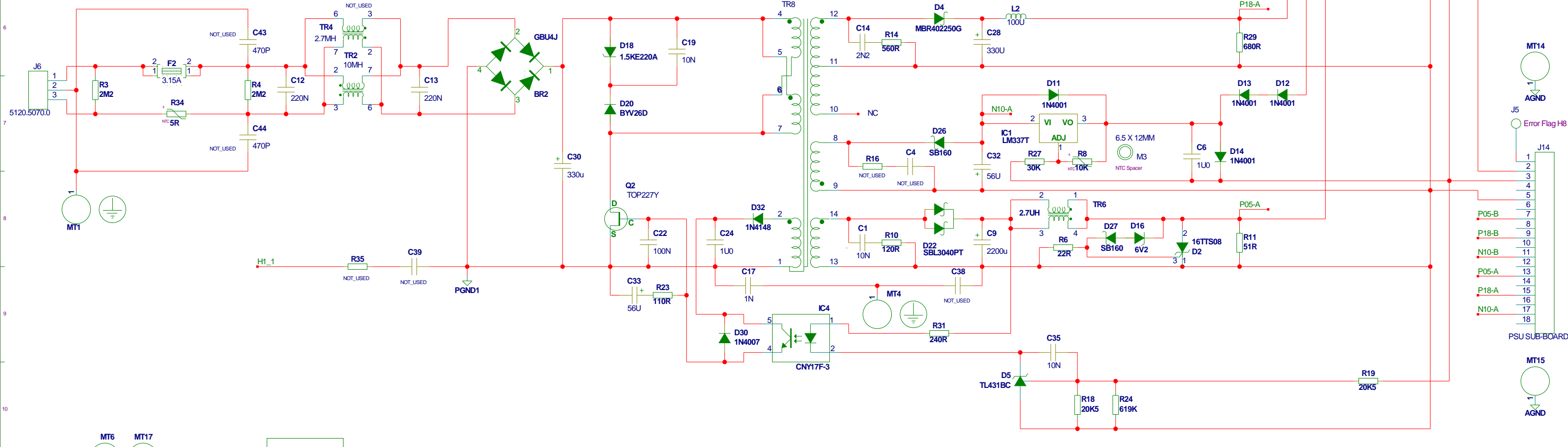


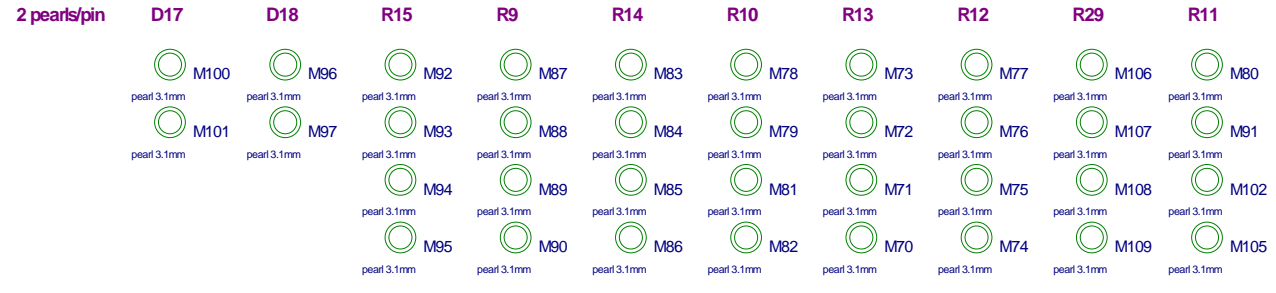
PWR B



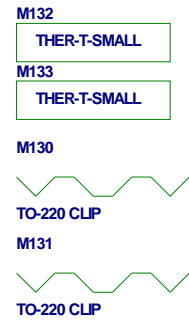
PWR A



<b>TC Electronic A/S</b>		Designer SAK
Title S6K REDUNDANT SMPS	Module title TOP	
Number P55401	Revision CAB	Previous page XX
Date 3-14-2011_10:26	Filename P55401_C	Page / of 1 / 2



Q1/Q2 attachment



D1/D2 attachment



IC1/IC2 attachment



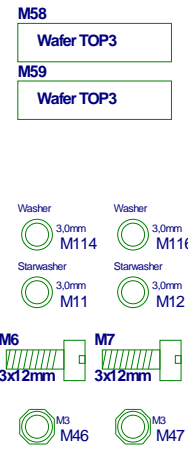
D23/D24 attachment



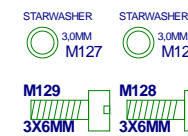
D3/D4 attachment



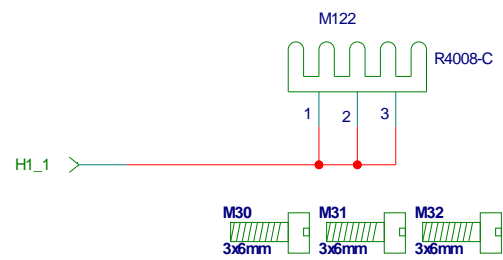
D21/D22 attachment



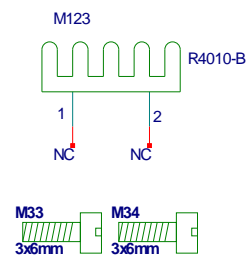
Sub-board attachment (MT14/MT15)



Q1/Q2 heatsink H1



D1/D2/IC1/IC2/D23/D24 heatsink H3



D3/D4/D21/D22 heatsink H2

