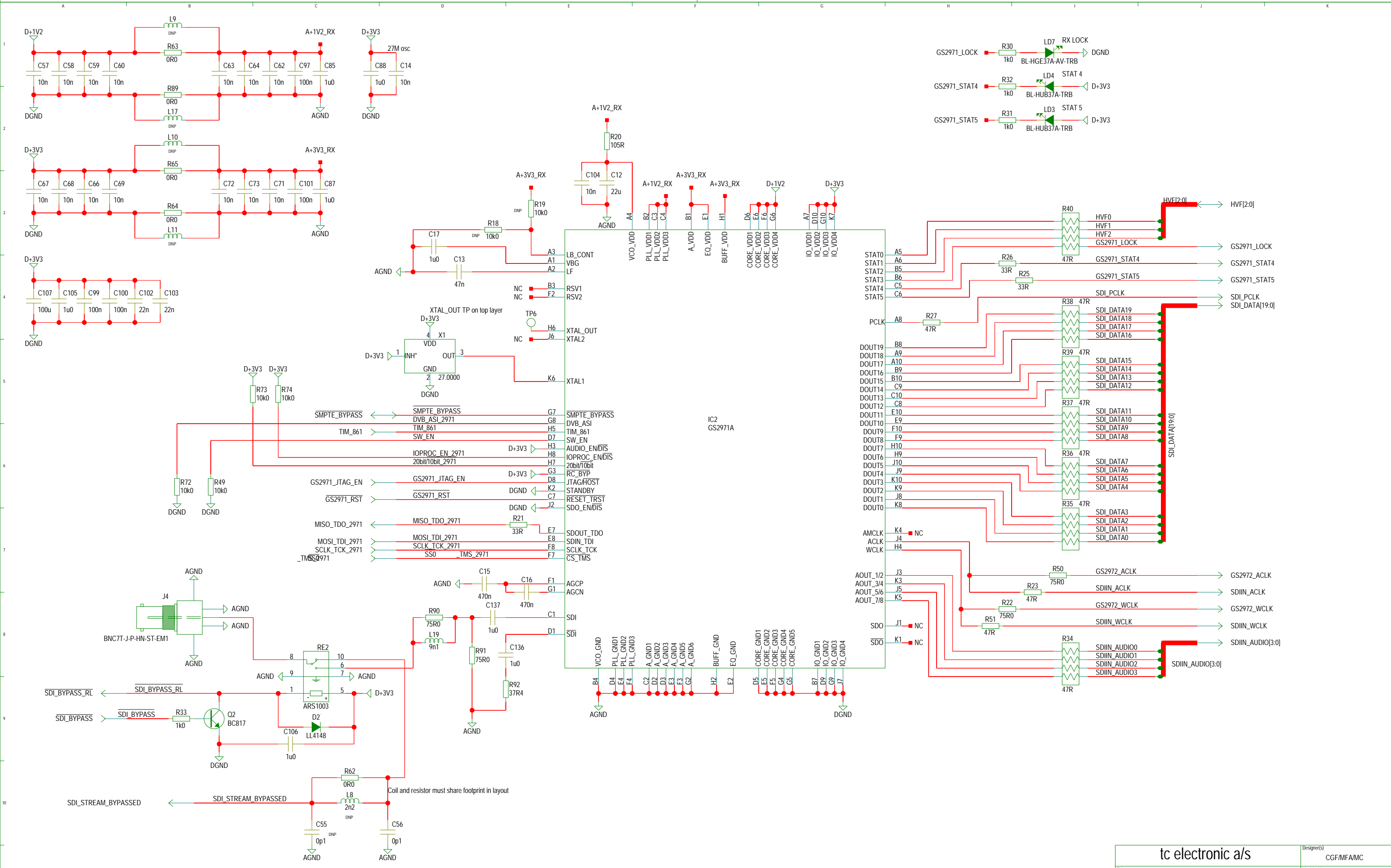
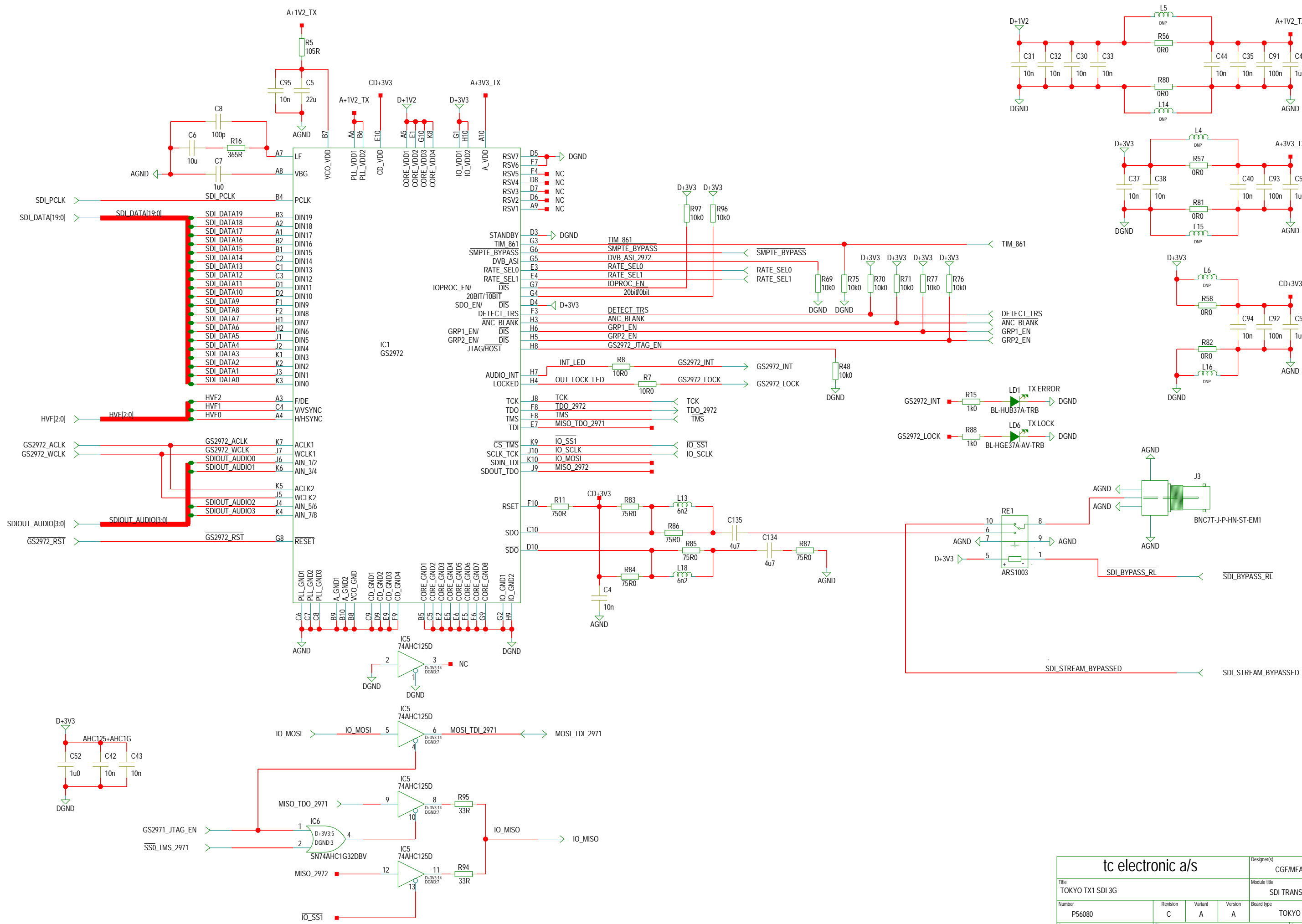


M1
P56080-C

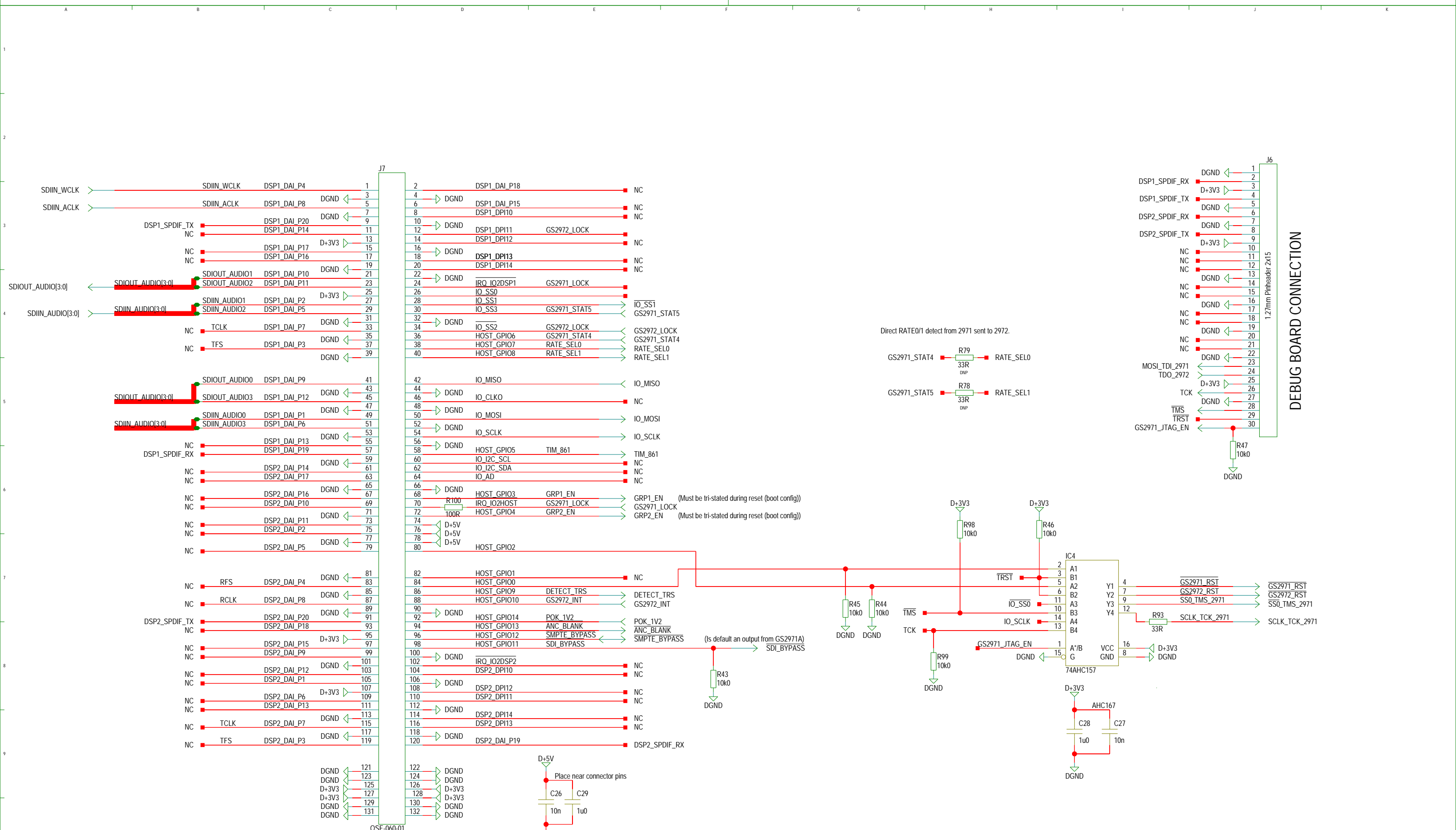
tc electronic a/s				Designer(s) CGF/MFAMC	
Title TOKYO TX1 SDI 3G				Module title TOP	
Number P56080	Revision C	Variant A	Version A	Board type TOKYO I/O	
Date 08-01-2013_08:51	Filename			Page / of 1 / 5	



tc electronic a/s				Designer(s)	CGF/MF/AMC
TOKYO TX1 SDI 3G				Module title	SDI RECEIVER
Number	Revision	Variant	Version	Board type	TOKYO I/O
P56080	C	A	A		
Date	Filename	Page / of			
08-01-2013_08:51	SDI_IN	2 / 5			

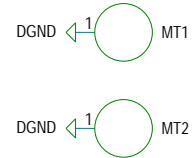


tc electronic a/s				Designer(s)	CGF/MFAMC
Title TOKYO TX1 SDI 3G				Module title SDI TRANSMITTER	
Number P56080	Revision C	Variant A	Version A	Board type TOKYO I/O	
Date 08-01-2013_08:51	Filename SDI_OUT	Page / of 3 / 5			



MAINBOARD CONNECTION

DEBUG BOARD CONNECTION



tc electronic a/s				Designer(s) CGF/MF/AMC
Title TOKYO TX1 SDI 3G				Module title MAINBOARD I/F
Number P56080	Revision C	Variant A	Version A	Board type TOKYO I/O
Date 08-01-2013_08:51	Filename MAINBOARD_CONN		Page / of 4 / 5	

