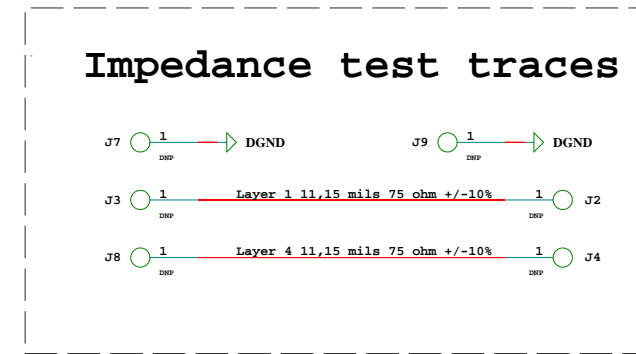
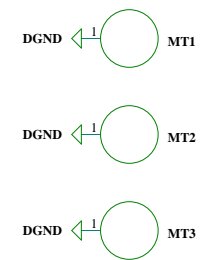
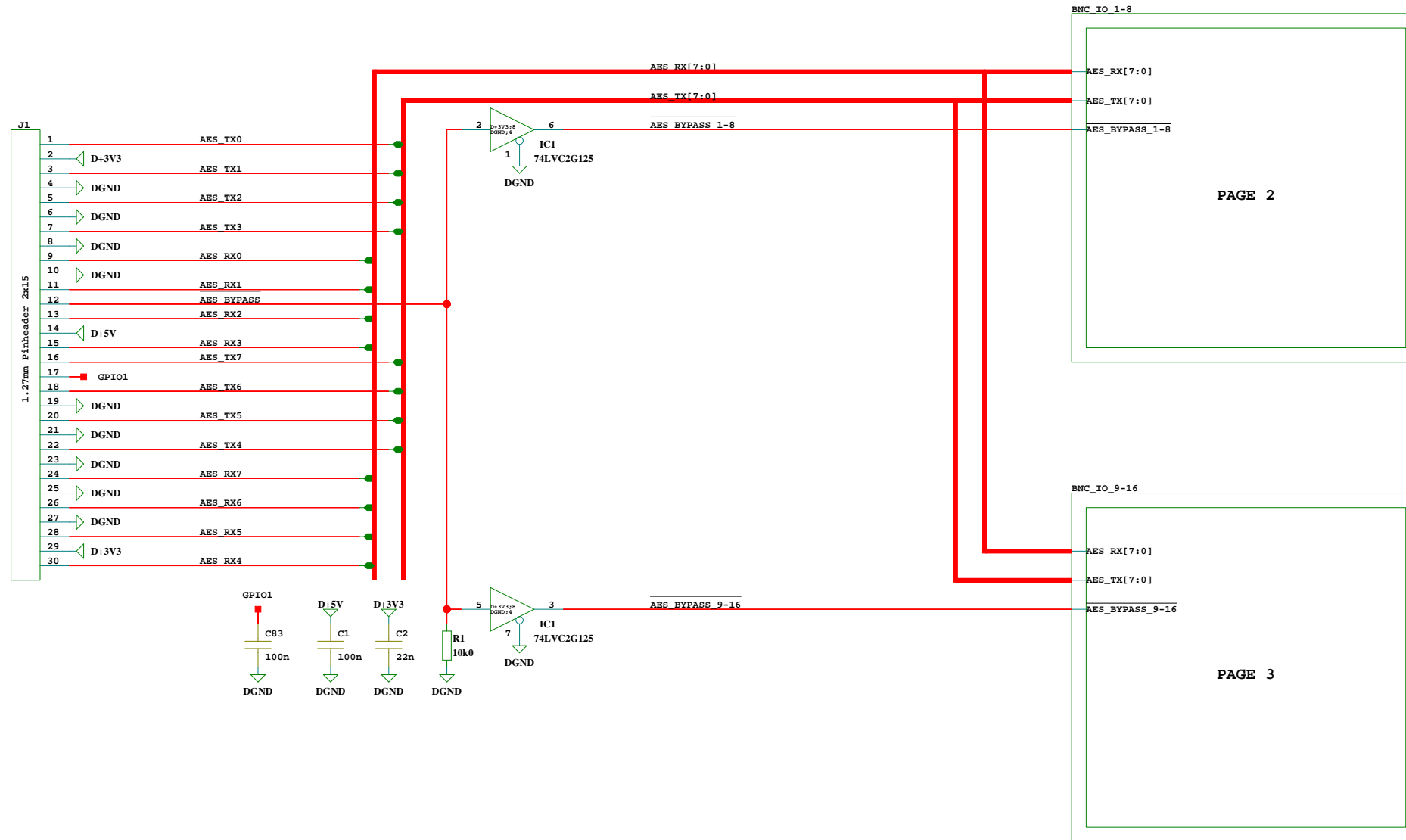
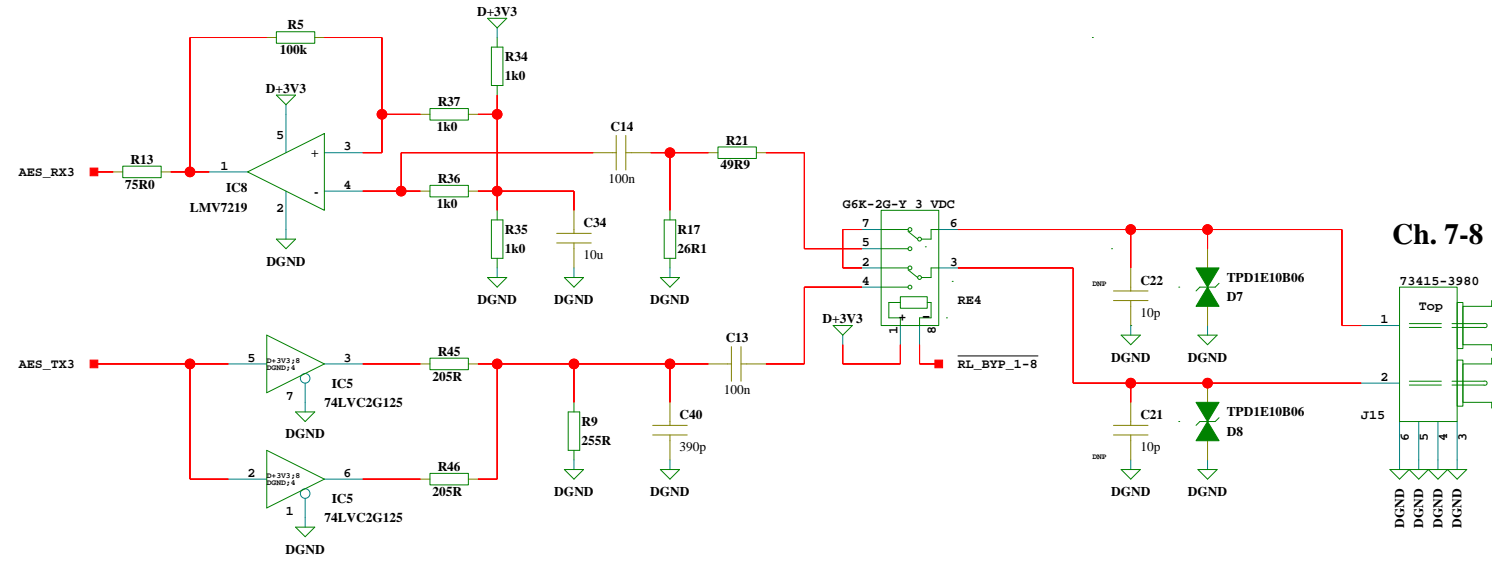
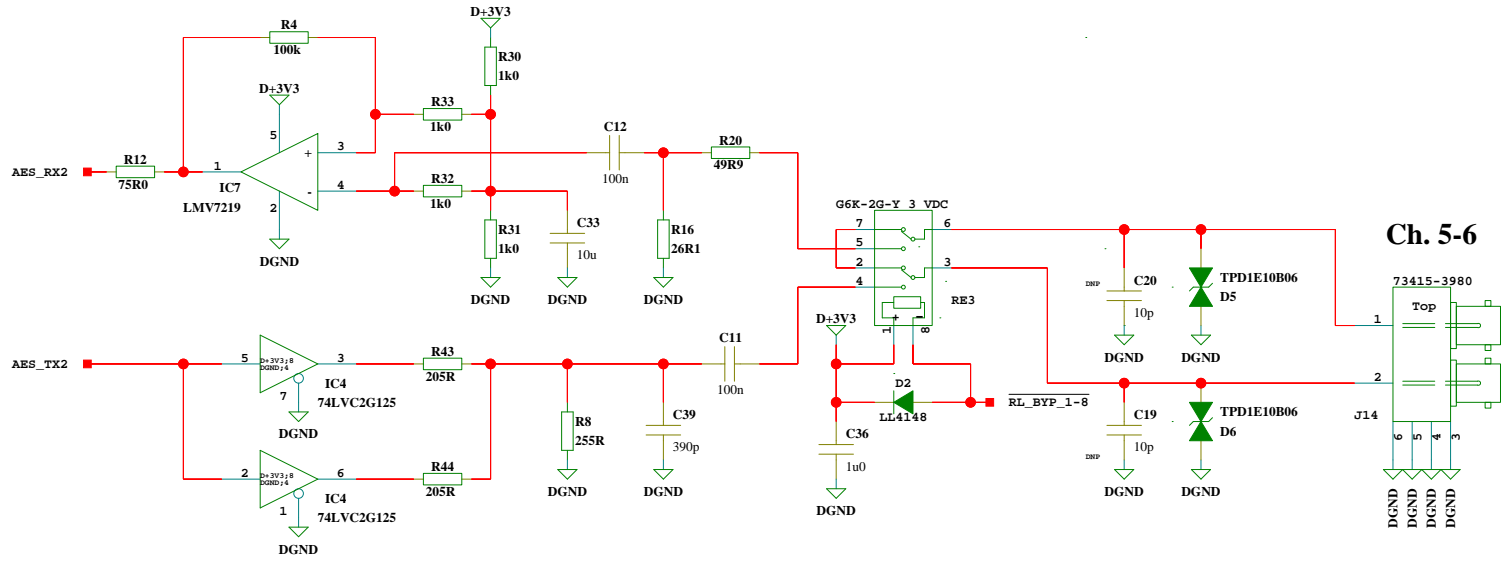
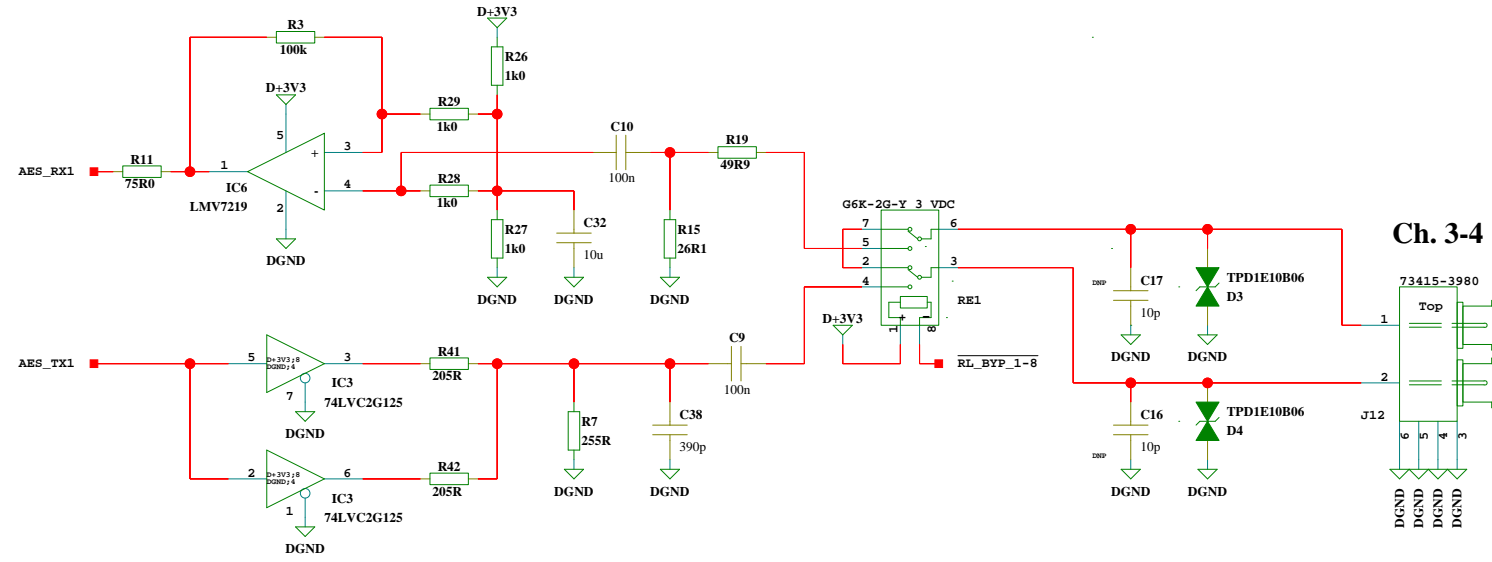
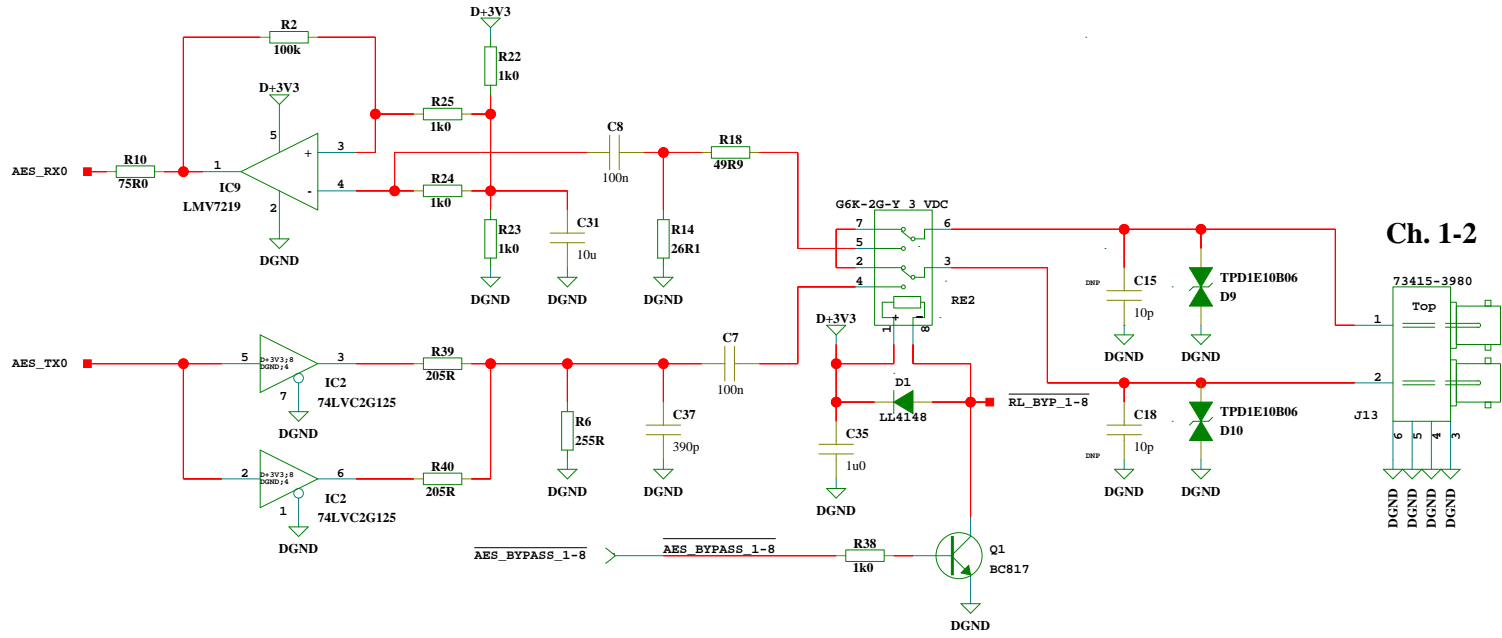


FPGA BOARD CONNECTION



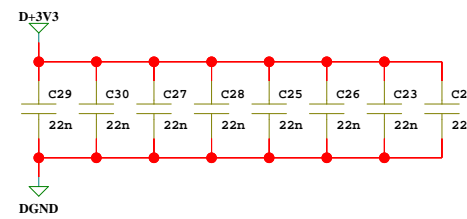
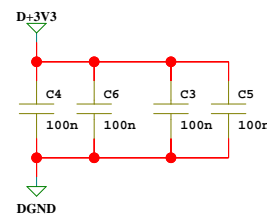
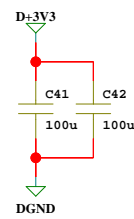
M1  
P56083-B

<b>tc electronic</b> <small>TC Electronic is an Avnet company</small>				Designer(s) CGP/MFA/MC	
Title 1247 - METRO 16 CH. BNC FRONT-END				Module title TOP	
Number P56083	Revision B	Variant A	Version A	Board type TOKYO I/O	
Date 05/02/2014:14:55	Filename P56083-A			Page / of 1 / 3	

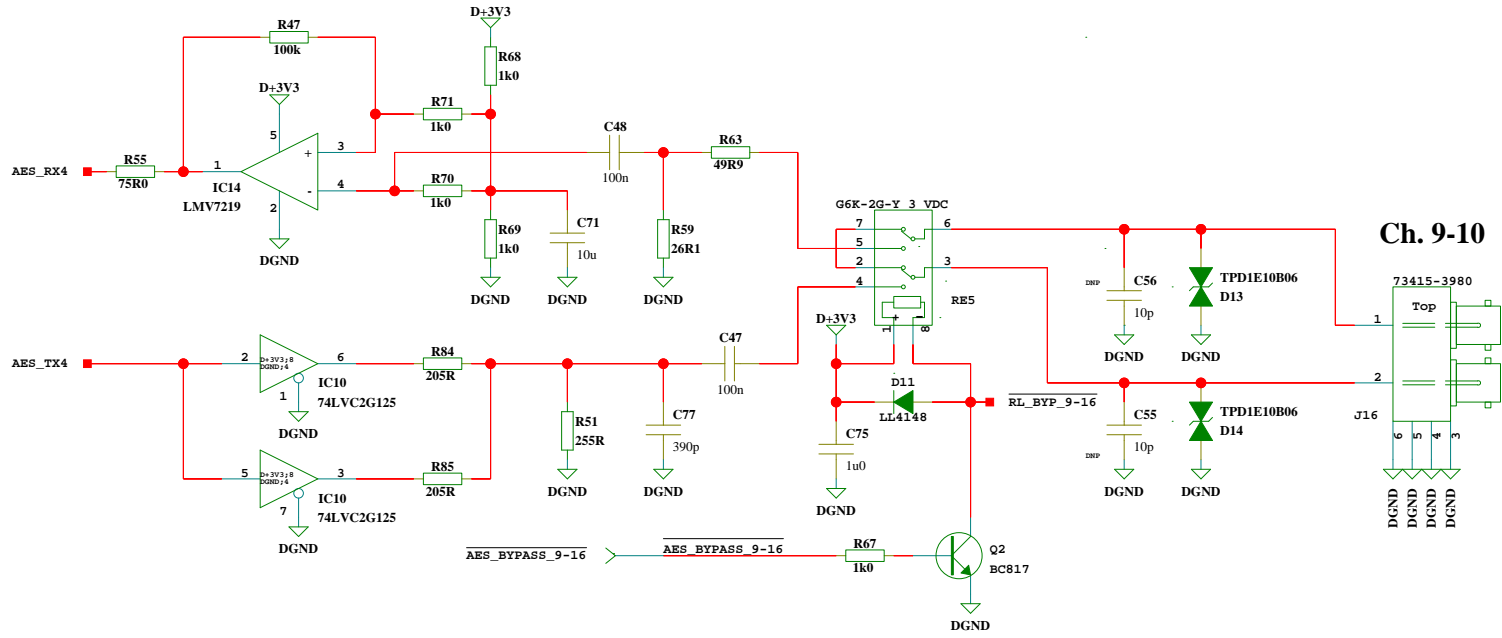


AES\_RX[7:0] ← AES\_RX[7:0]

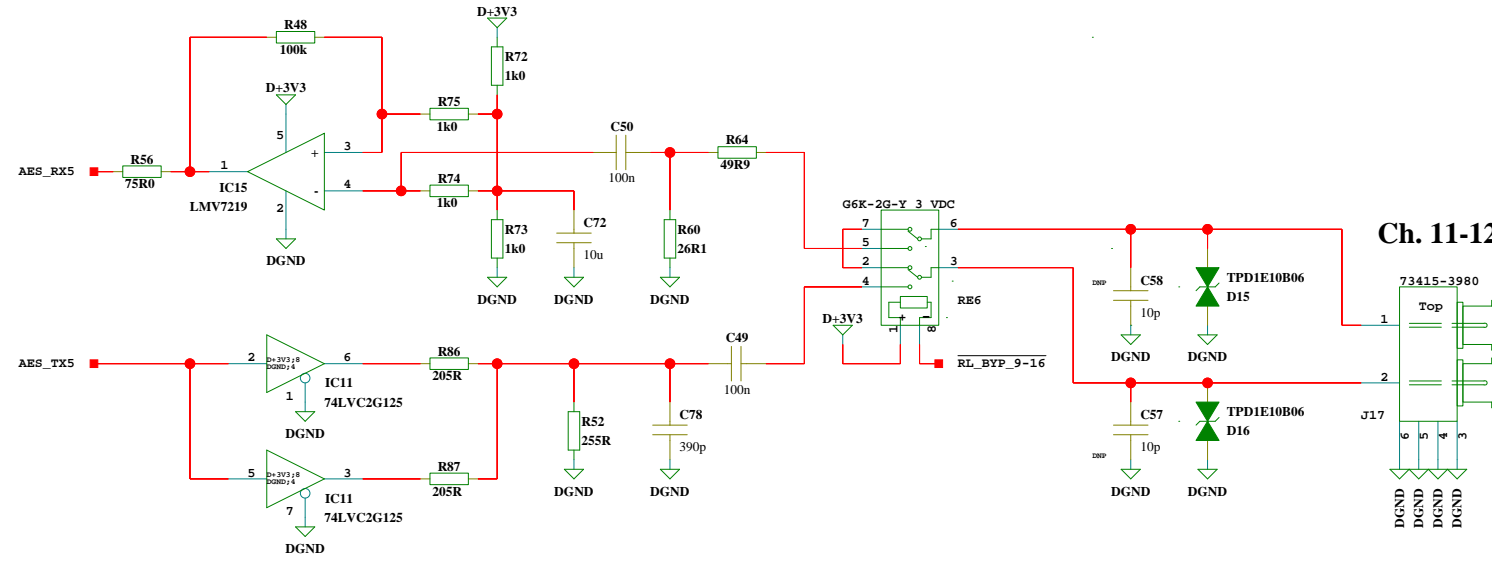
AES\_TX[7:0] → AES\_TX[7:0]



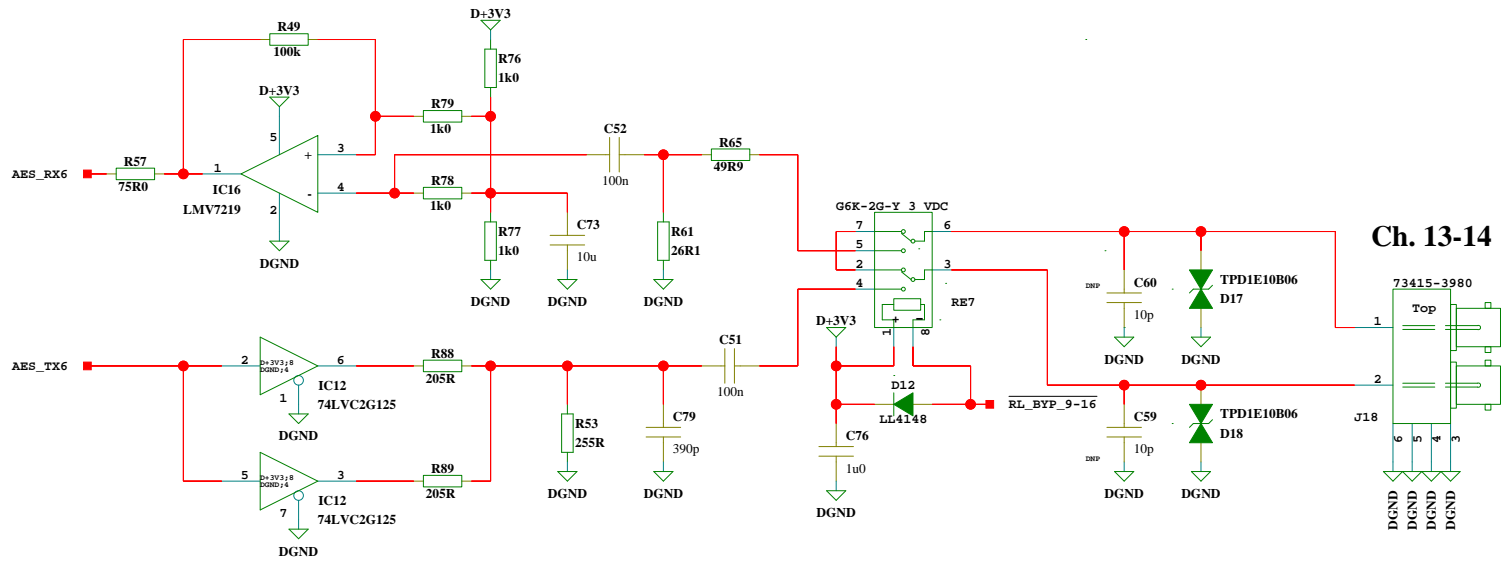
		Designer(s)	
		CGP/MFA/MC	
Title		Module title	
1247 - METRO 16 CH. BNC FRONT-END		BNC I/O CH. 1-8	
Number	Revision	Variant	Version
	B	A	A
P56083	Board type		TOKYO I/O
Date	Filename	Page / of	
05/02/2014:14:54	BNC_IO_1-8	2 / 3	



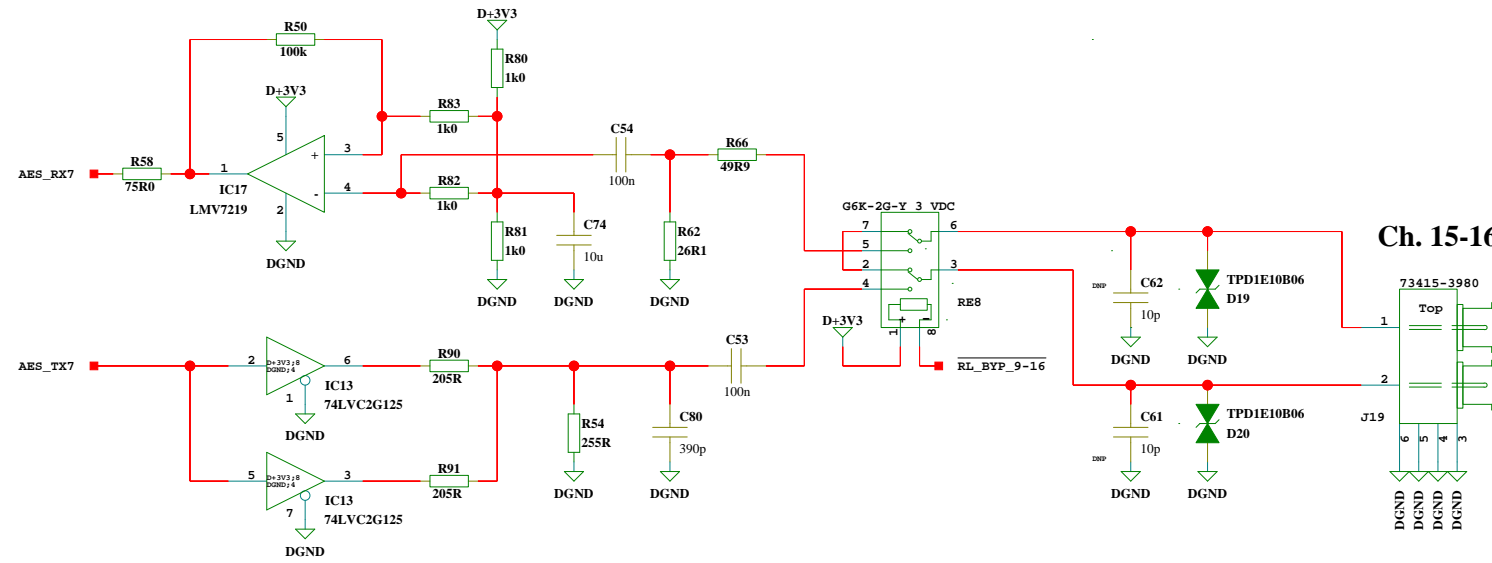
Ch. 9-10



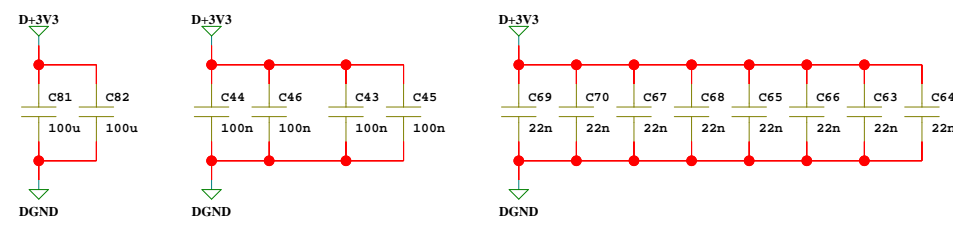
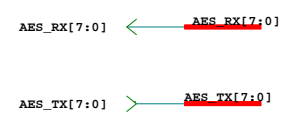
Ch. 11-12



Ch. 13-14



Ch. 15-16



		Designer(s)	
		CGP/MFA/MC	
Title		Module title	
1247 - METRO 16 CH. BNC FRONT-END		BNC I/O CH. 9-16	
Number	Revision	Variant	Version
	P56083	B	A
Date	Filename	Board type	
05/02/2014:14:55	BNC_IO_9-16	TOKYO I/O	
		Page / of	
		3 / 3	