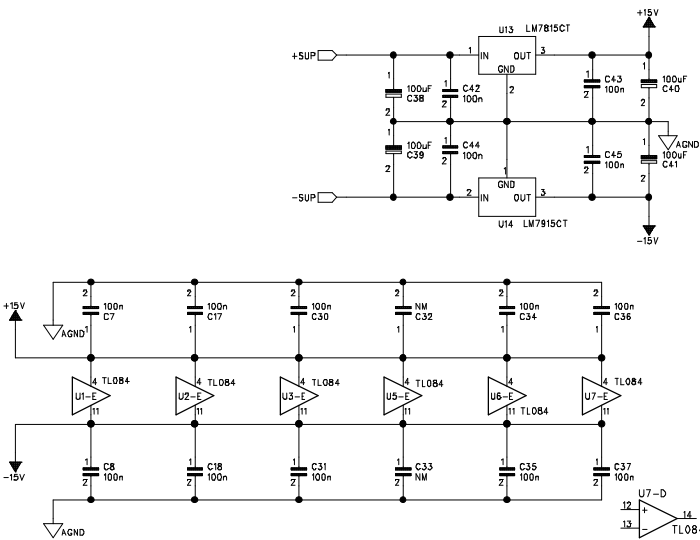
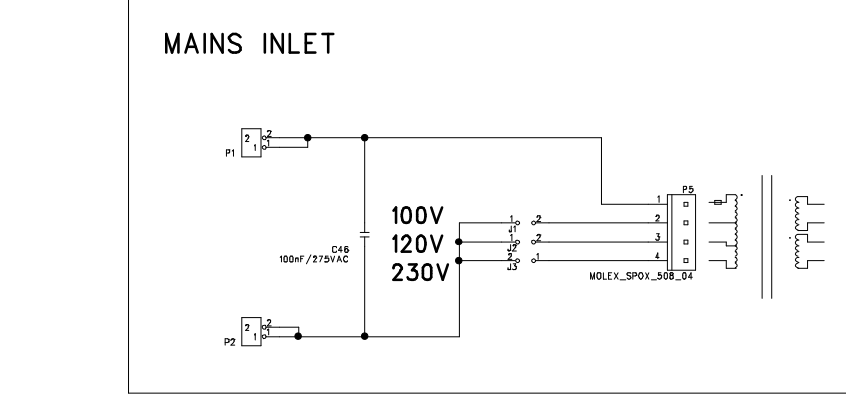
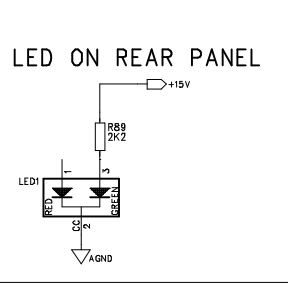
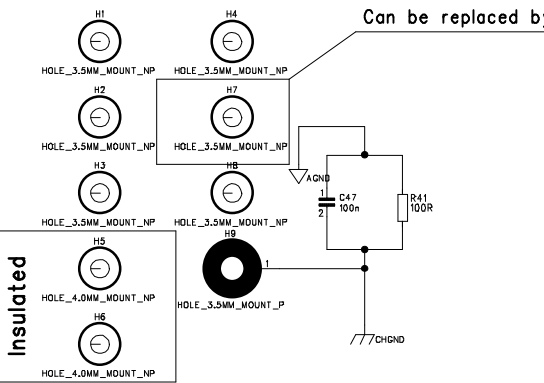
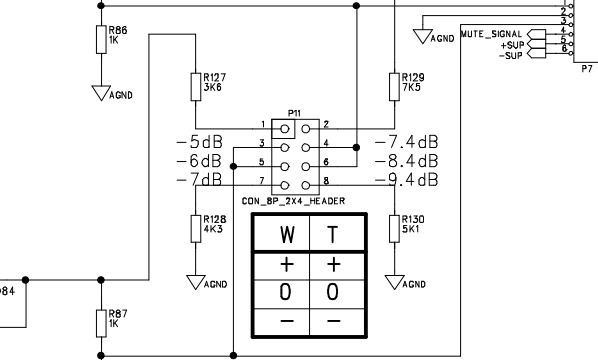
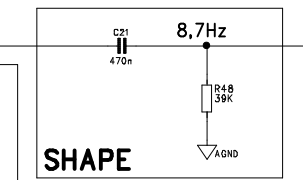
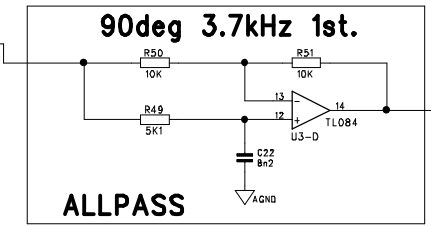
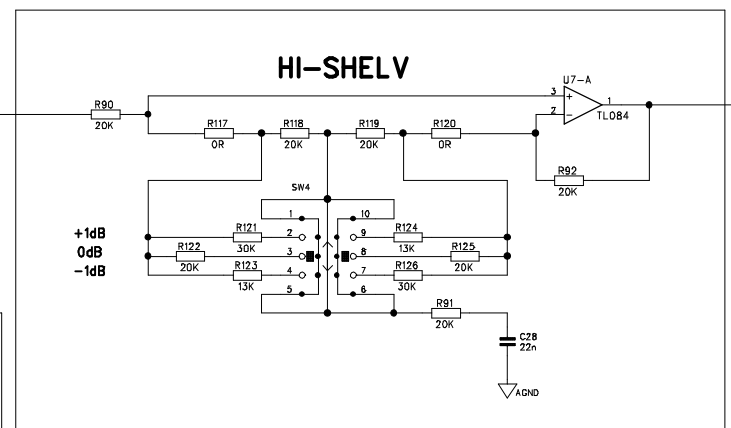
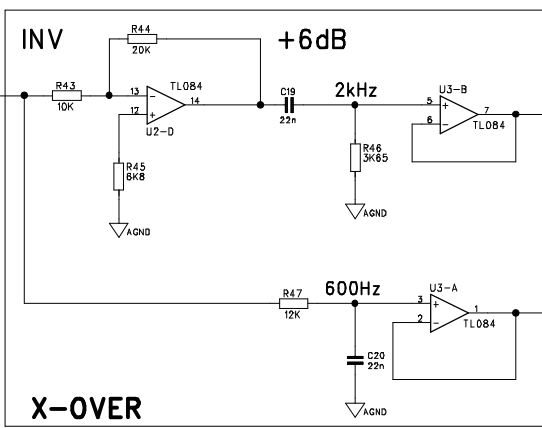
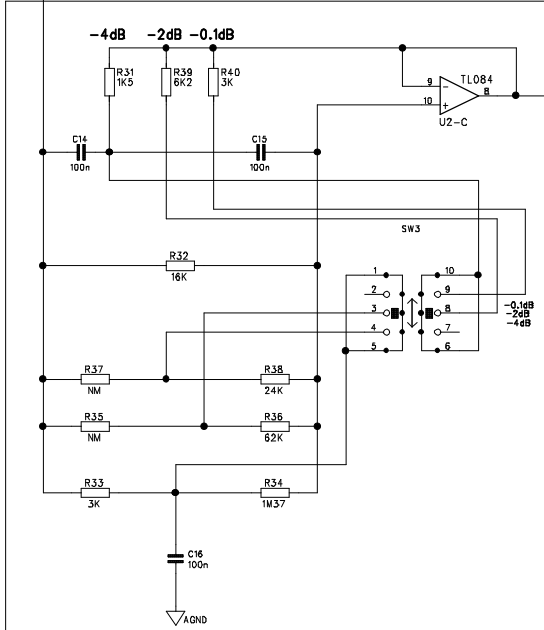
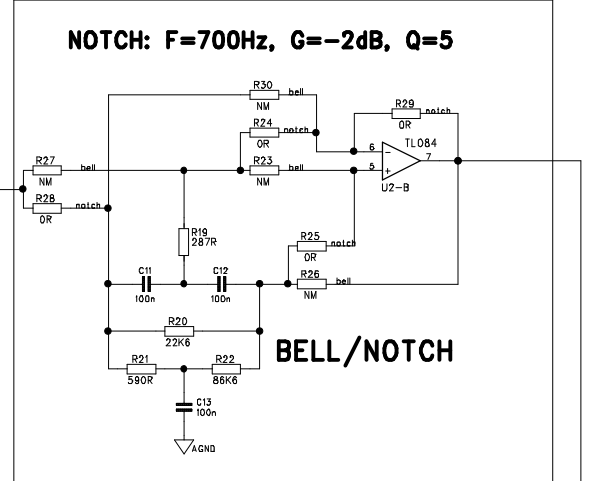
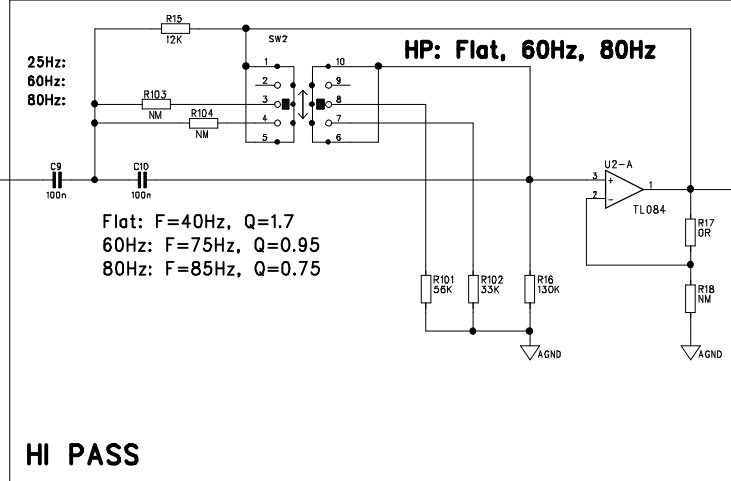
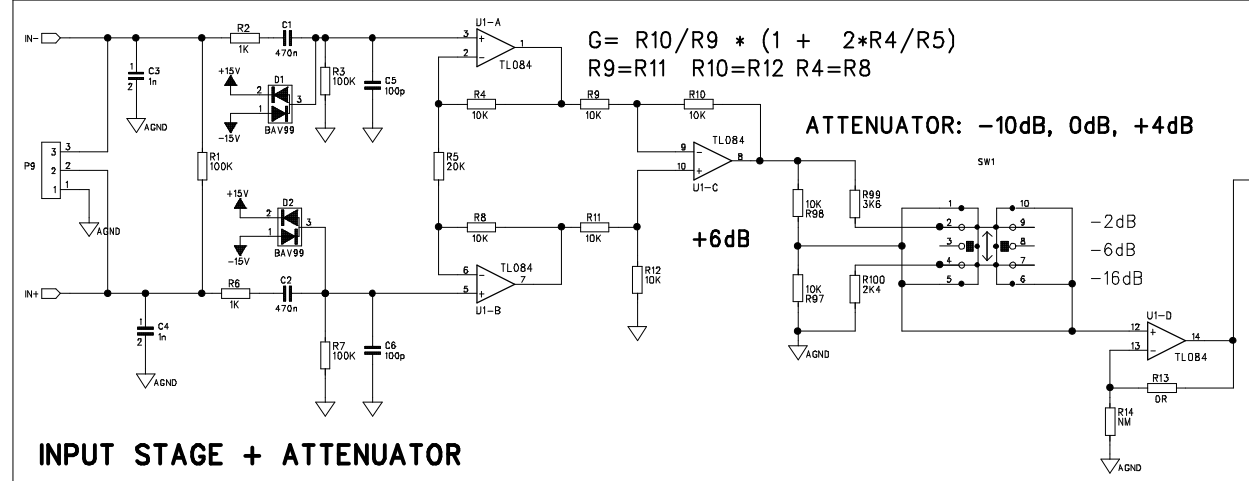
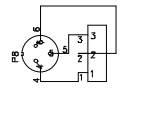
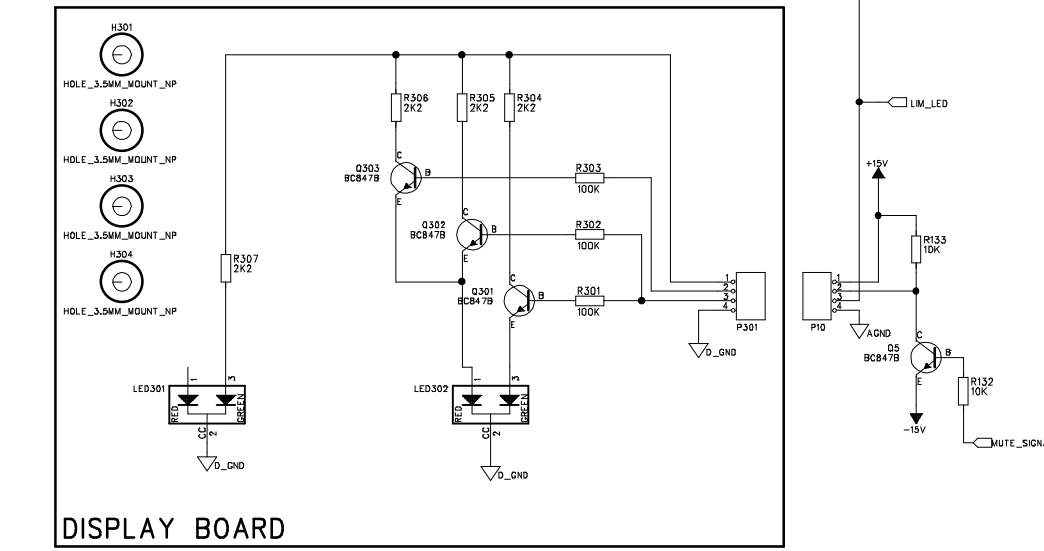


INPUT CONNECTOR



- S1 Transformer 0-100-120-230V // 22-0V + 22-0V 160VA
- S2 Mains switch Mains switch, rocker type
- S3 Mains inlet Mains inlet w. primary fuse
- S4 Cable Primary harness
- S5 Cable Preamp-poweramp, 10cm twisted
- S6 Cable Preamp-display, 40cm
- S7 Gasket Rear panel sealing, 0.8mm thick, 10mm wide
- S8 Gasket Airtight sealing for SW1-5
- S9 Damper Damping material to replace H7 spacer. 1x2cm at H7.
- S10 PCB See 451 476 top document
- S11 HEATSINK 220x65x37mm, 8 ribs 30mm, base 7mm, For U200-3, SW201

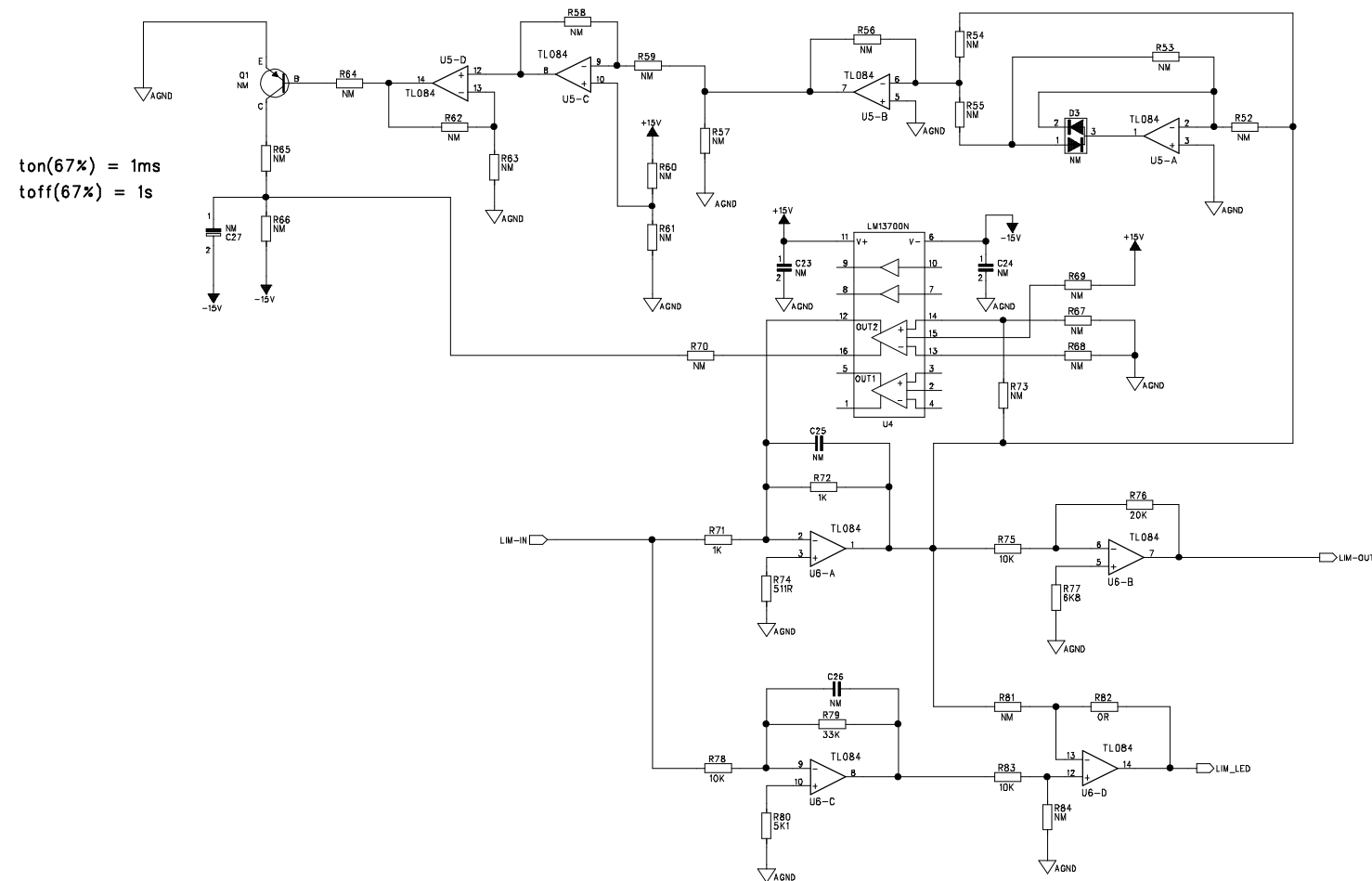


RoHS compliant

NOTE: The preamp use the same PCB as BM5A family: 4514006A_P769_001_010_amplifier.pcb
The circuit is dimensioned for project 492 and the poweramp section is replaced by a new poweramp.

EDITION	DESCRIPTION	ECR
8	R71=R72=1K, R74=511R	2875
CHANGED BY	2007-03-09/JBD	DESIGNED/JBD 2006-12-20 DRAWN: JBD 2006-12-20
DATE/CORR.	2007-03-09/JBD	CONTR./APPR. JBD / JM / LSK / AL
CONTR./APPR.	JBD / JM / LSK / AL	CONTR. JBD / JM APPR. LSK
FILENAME	45147801B.sch	SIZE A1 SHEET 1 OF 2

Limiter disabled by not mounting components (NM)



ton(67%) = 1ms
toff(67%) = 1s

LIM_LED output adjusted to fully turn-on LED at 5-10% THDN

EDITION	DESCRIPTION	ECR
1	See page 1	
CHANGED BY	2007-03-09/JBG	DESIGNED: JBG 2006-12-20 DRAWN: JBG 2006-12-20
DATE/CORR.	2007-03-09/JBG	CDNTR. APPR. Signed on page 1
CONTR./APPR.	See page 1	Signed on page 1
SUBJECT: PROJECT 492 / Pre amp (BM12A)		DRAWING NO. 451 478 01
EDITION	B	
FILENAME	45147801B.sch	SIZE A1 SHEET 2 OF 2