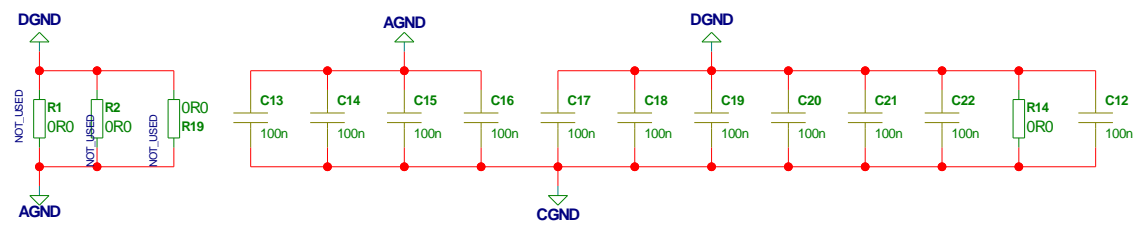
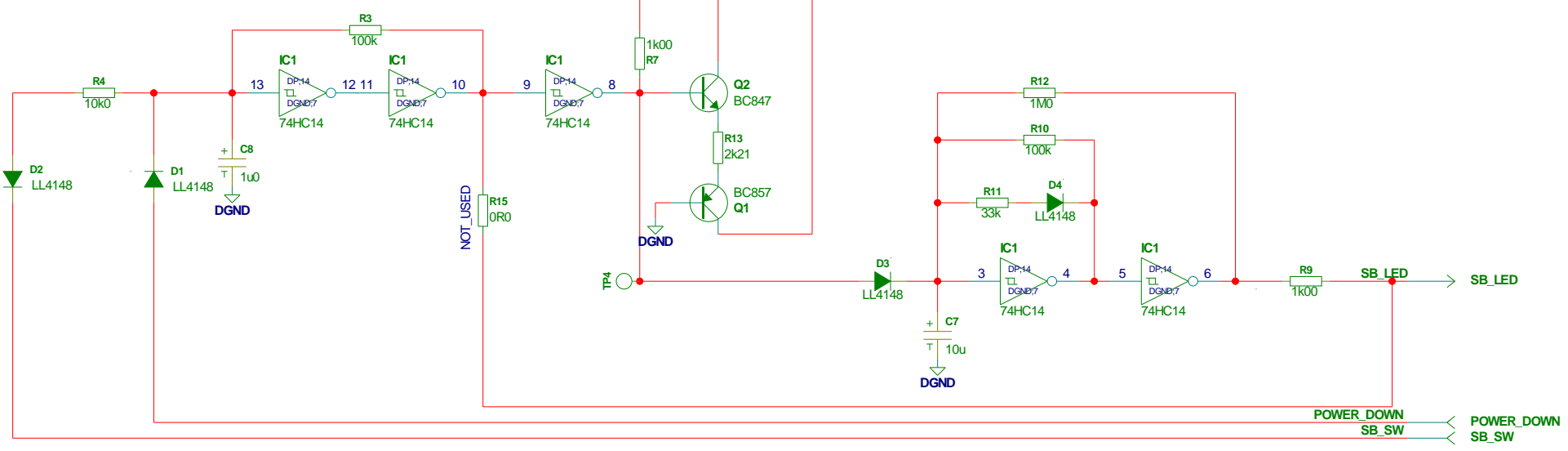
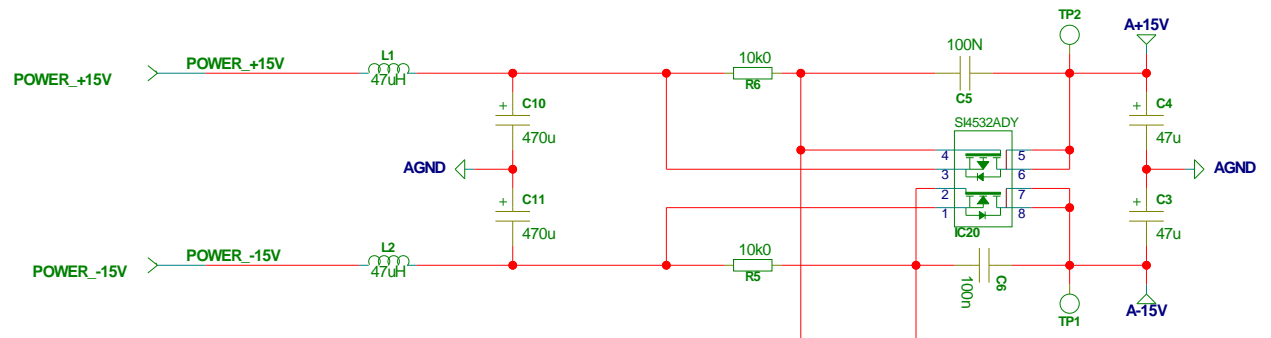
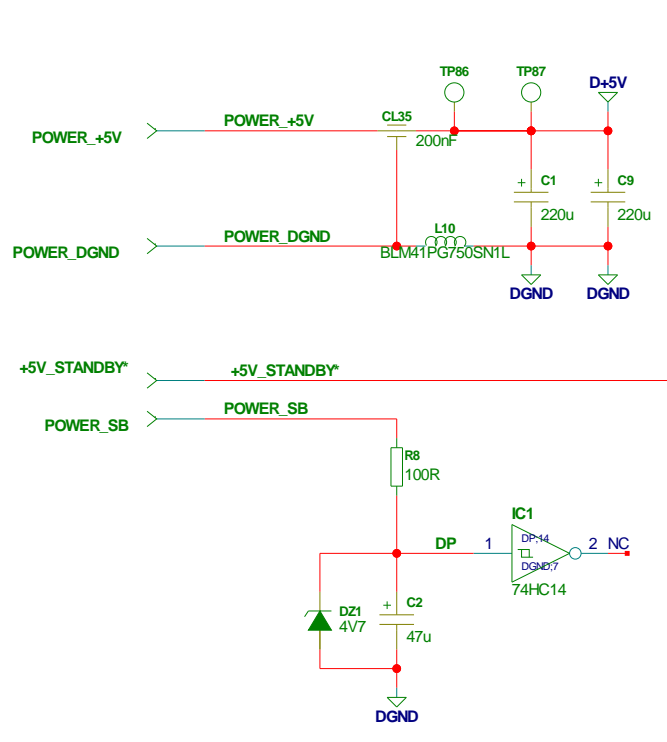
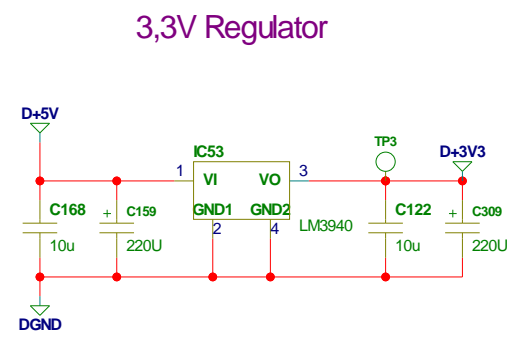
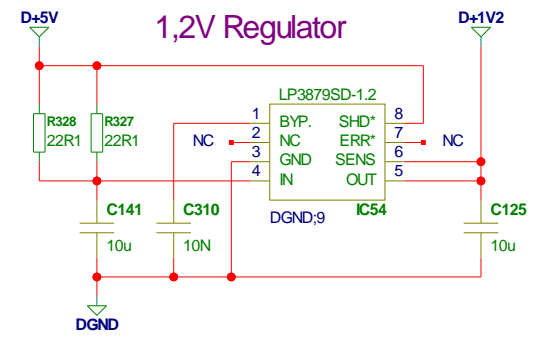
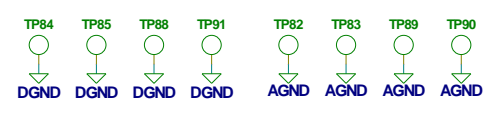
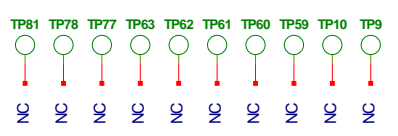


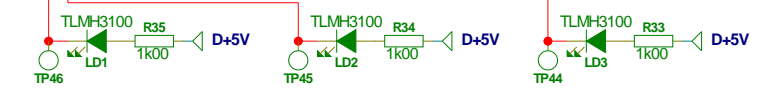
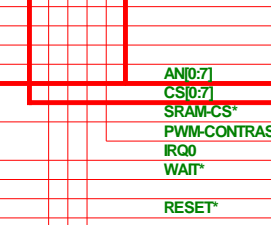
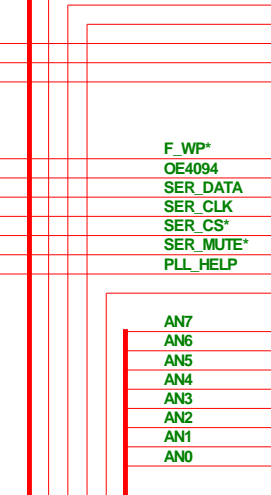
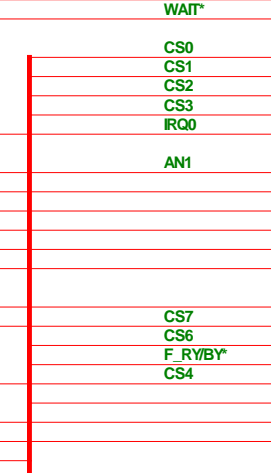
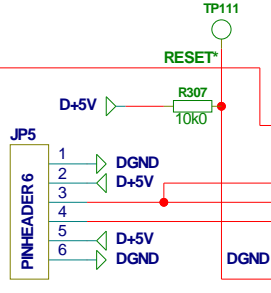
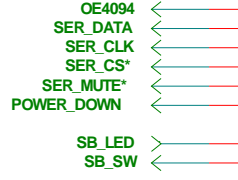
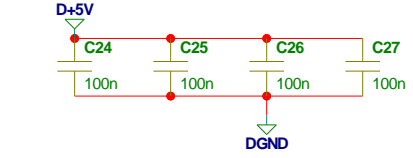
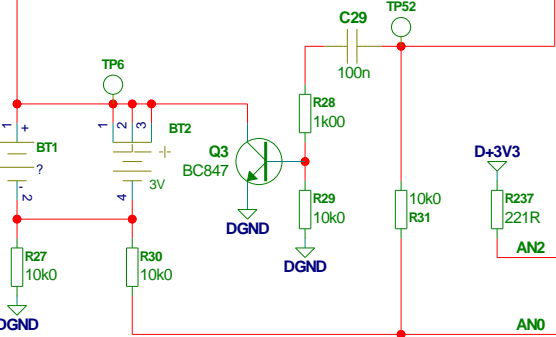
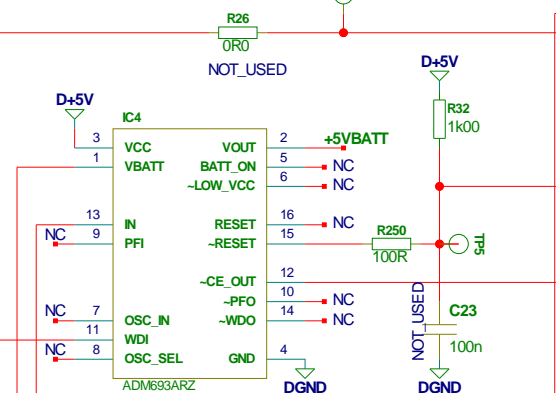
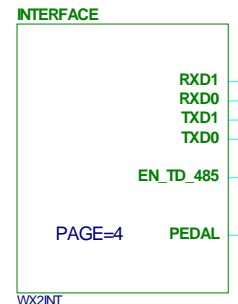
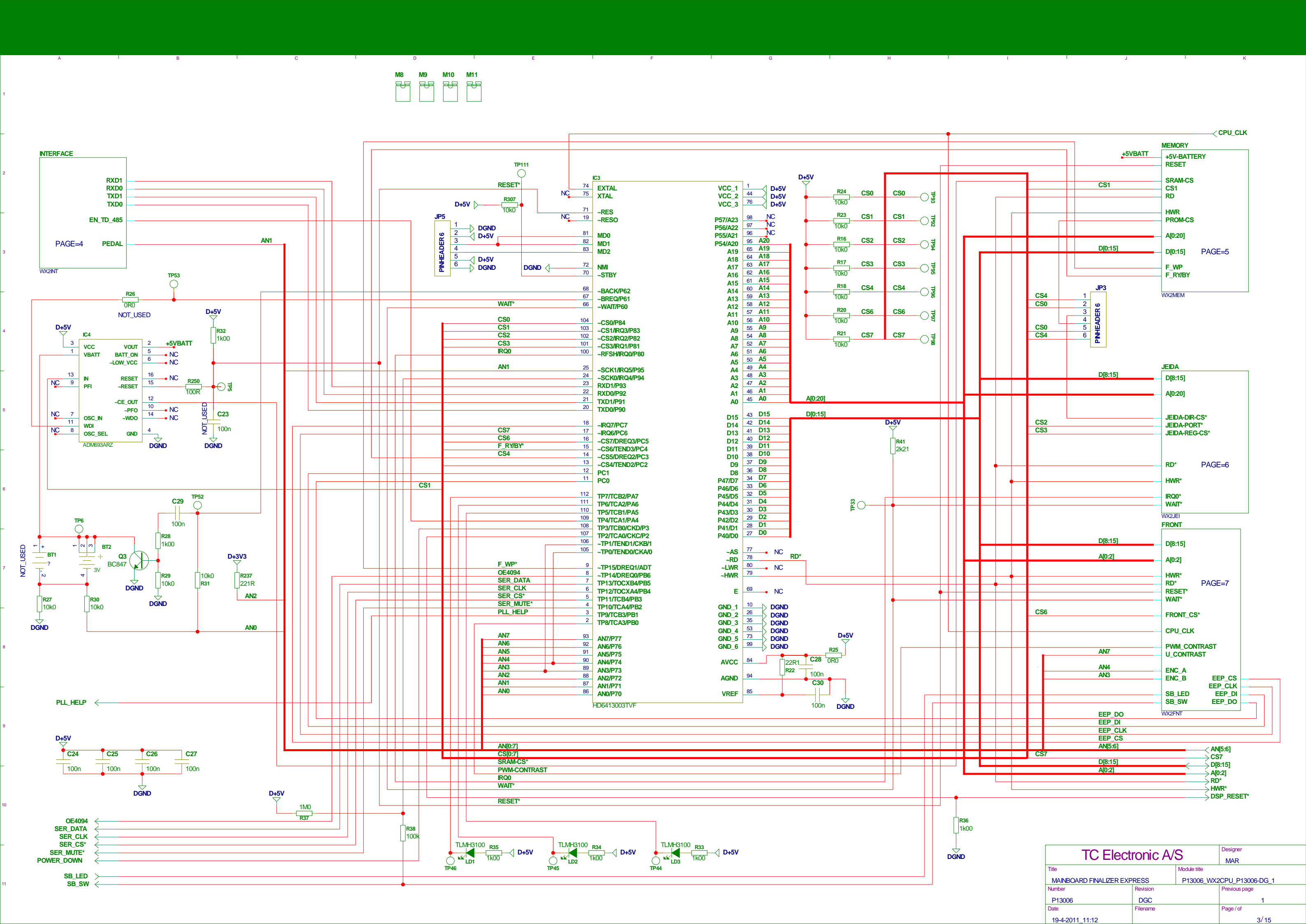
<b>TC Electronic A/S</b>		Designer MAR
Title MAINBOARD FINALIZER EXPRESS	Module title P13006-D_P13006-DG	
Number P13006	Revision DGC	Previous page 1
Date 19-4-2011_11:21	Filename	Page / of 1 / 15



Unused Testpoints



<b>TC Electronic A/S</b>		Designer MAR
Title MAINBOARD FINALIZER EXPRESS	Module title P13006_WX2POW_P13006-DG_1	
Number P13006	Revision DGC	Previous page 1
Date 19-4-2011_11:10	Filename P13006_WX2POW_P13006-DG_1	Page / of 2 / 15



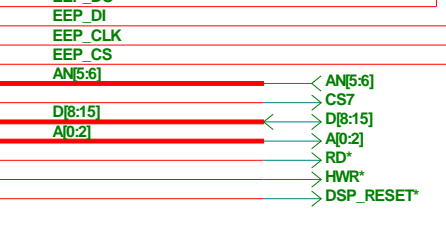
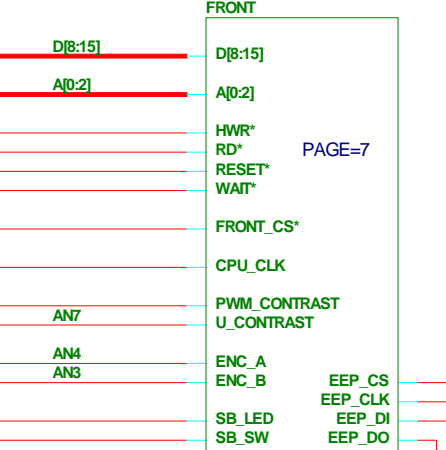
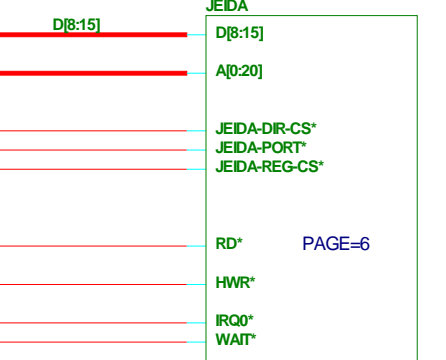
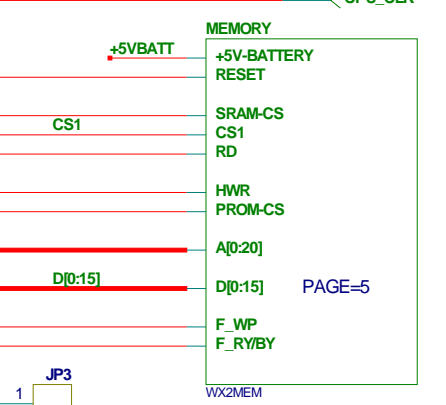
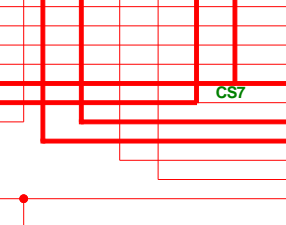
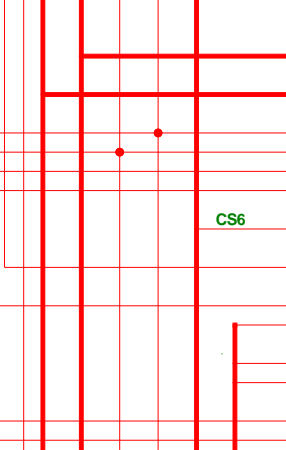
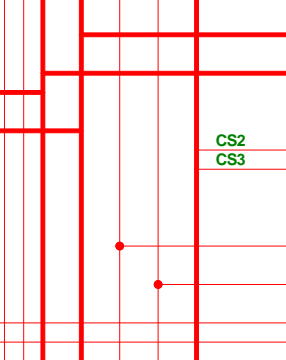
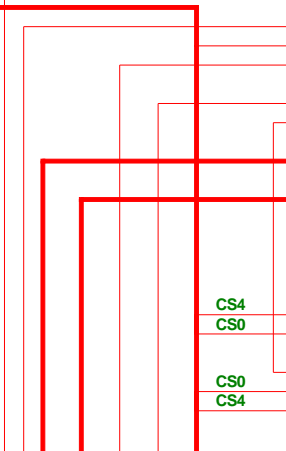
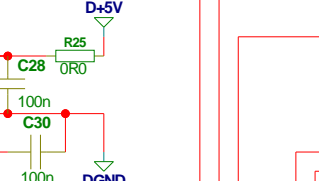
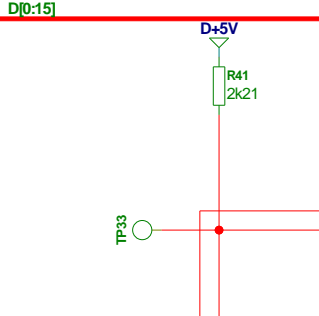
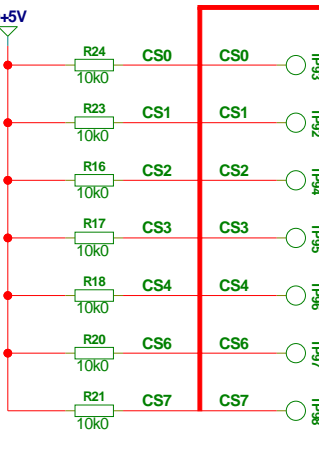
**IC3**

74	EXTAL
75	XTAL
71	-RES
19	-RESO
81	MD0
82	MD1
83	MD2
72	NMI
70	-STBY
68	-BACK/P62
67	-BREQ/P61
66	-WAIT/P60
104	-CS0/P84
103	-CS1/IRQ3/P83
102	-CS2/IRQ2/P82
101	-CS3/IRQ1/P81
100	-RFSH/IRQ0/P80
25	-SCK1/IRQ5/P95
24	-SCK0/IRQ4/P94
23	RXD1/P93
22	RXD0/P92
21	TXD1/P91
20	TXD0/P90
18	-IRQ7/PC7
17	-IRQ6/PC6
16	-CS7/DREQ3/PC5
15	-CS6/TEND3/PC4
14	-CS5/DREQ2/PC3
13	-CS4/TEND2/PC2
12	PC1
11	PC0
112	TP7/TCB2/PA7
111	TP6/TCA2/PA6
110	TP5/TCB1/PA5
109	TP4/TCA1/PA4
108	TP3/TCB0/CKD/P3
107	TP2/TCA0/CKC/P2
106	-TP1/TEND1/CKB/1
105	-TP0/TEND0/CKA/0
9	-TP15/DREQ1/ADT
8	-TP14/DREQ0/PB6
7	TP13/TOCXB4/PB5
6	TP12/TOCXA4/PB4
5	TP11/TCB4/PB3
4	TP10/TCA4/PB2
3	TP9/TCB3/PB1
2	TP8/TCA3/PB0
93	AN7/P77
92	AN6/P76
91	AN5/P75
90	AN4/P74
89	AN3/P73
88	AN2/P72
87	AN1/P71
86	AN0/P70

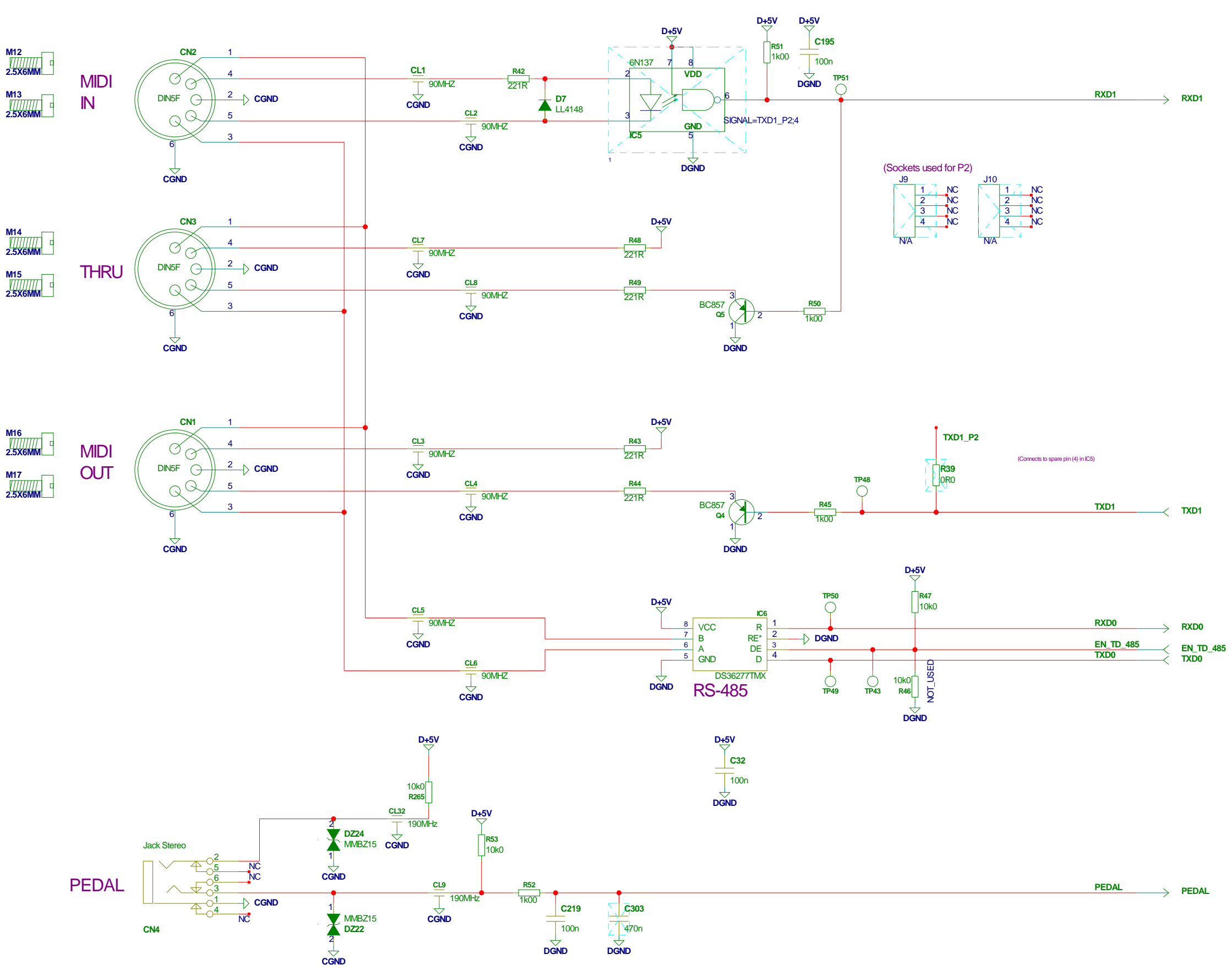
HD6413003TVF

**IC4**

1	VCC_1
44	VCC_2
76	VCC_3
98	NC
97	NC
96	NC
95	A20
65	A19
64	A18
63	A17
62	A16
61	A15
60	A14
59	A13
58	A12
57	A11
56	A10
55	A9
54	A8
52	A7
51	A6
50	A5
49	A4
48	A3
47	A2
46	A1
45	A0
43	D15
42	D14
41	D13
40	D12
39	D11
38	D10
37	D9
36	D8
34	D7
33	D6
32	D5
31	D4
30	D3
29	D2
28	D1
27	D0
77	-AS
78	-RD
80	-LWR
79	-HWR
69	NC
10	GND_1
26	GND_2
35	GND_3
53	GND_4
73	GND_5
99	GND_6
84	AVCC
94	AGND
85	VREF



<b>TC Electronic A/S</b>		Designer MAR
Title MAINBOARD FINALIZER EXPRESS	Module title P13006_WX2CPU_P13006-DG_1	
Number P13006	Revision DGC	Previous page 1
Date 19-4-2011_11:12	Filename	Page / of 3 / 15

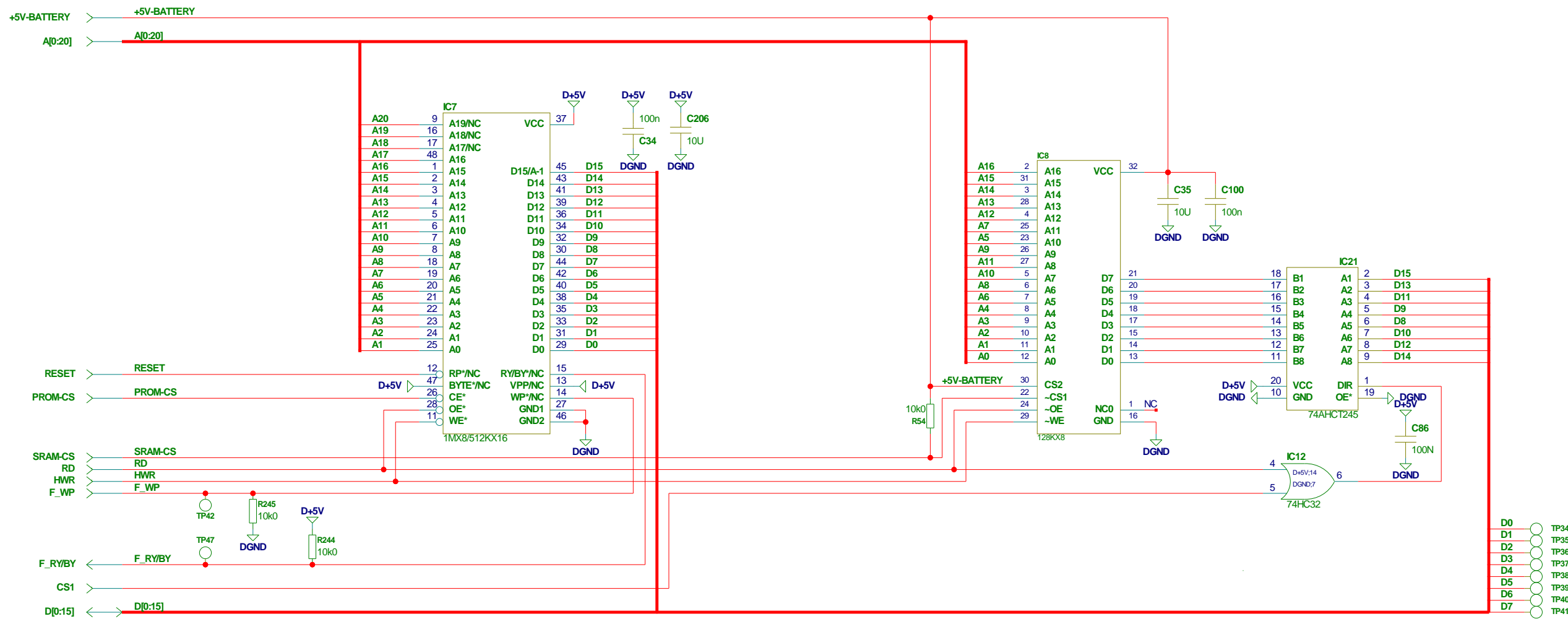


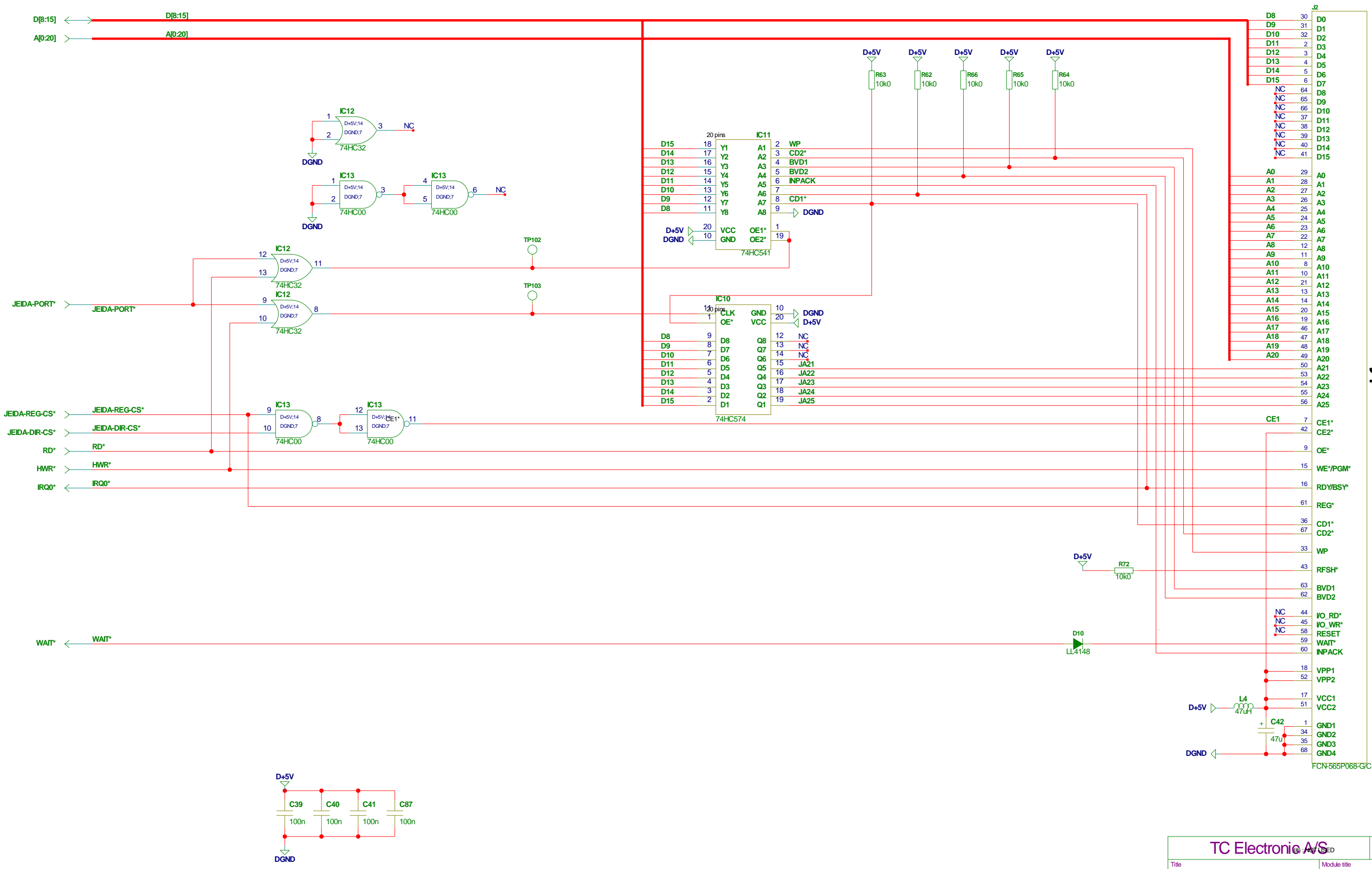
MIDI IN

THRU

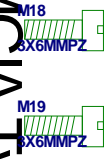
MIDI OUT

PEDAL



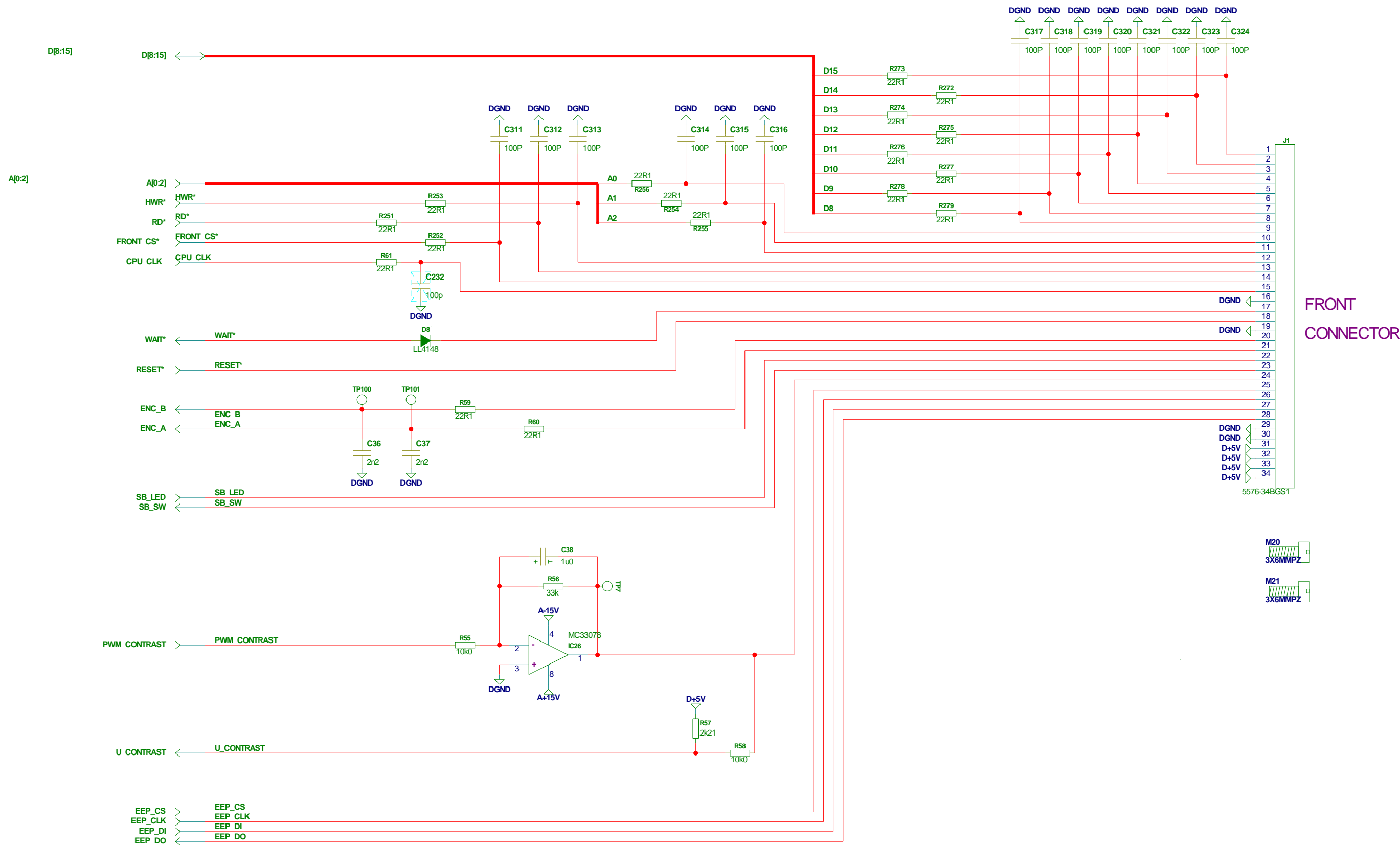


PCMCIA Type I

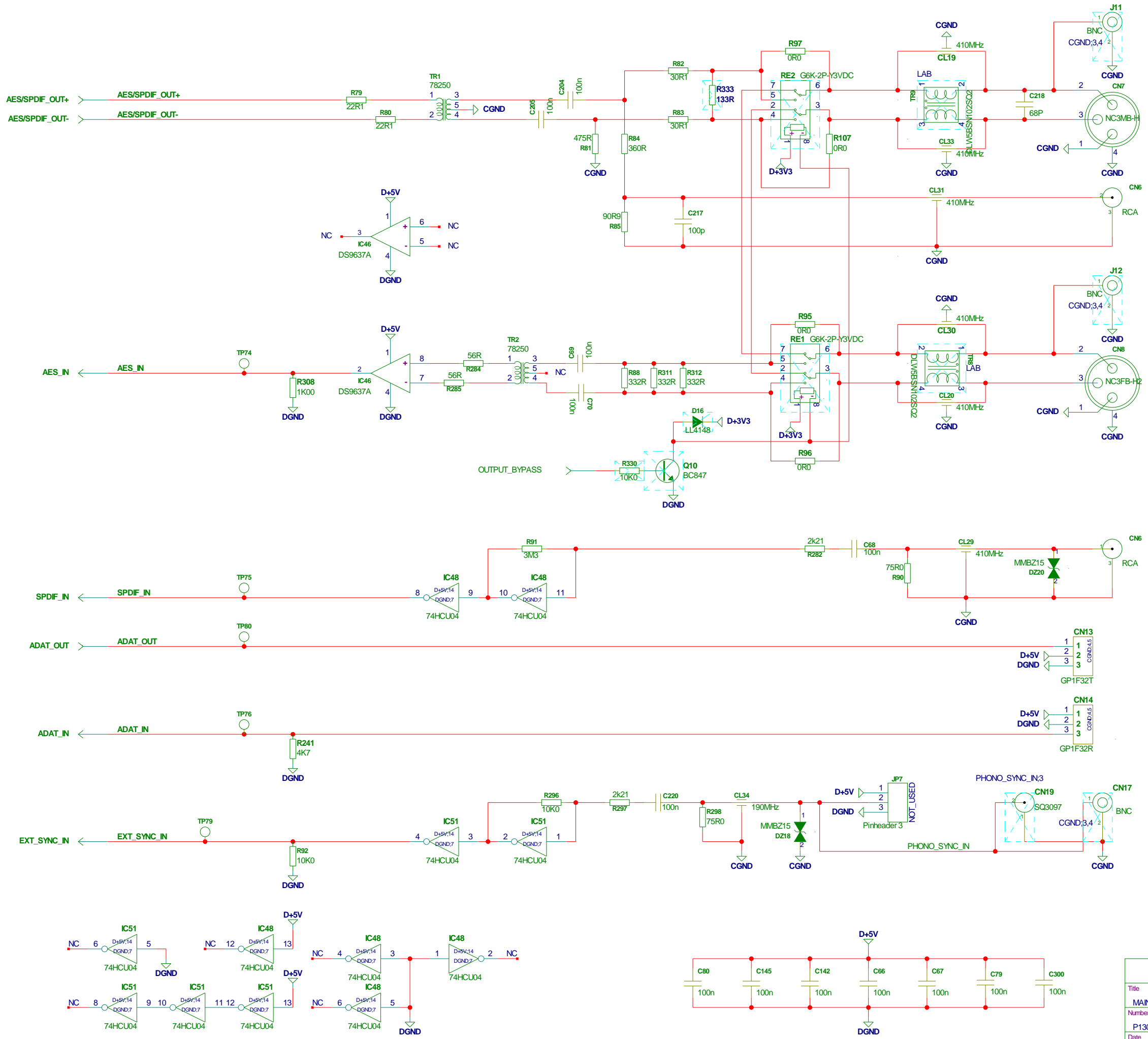


FCN-565P068-GC-V4

<b>TC Electronic AS</b>		Designer MAR
Title MAINBOARD FINALIZER EXPRESS	Module title P13006_WX2JEL_P13006-DG_1	
Number "DBMAX MAIN BOARD" P13006	Revision DGC	Previous page 3
Date 19-4-2011_11:11	Filename	Page / of 6 / 15



<b>TC Electronic A/S</b>		Designer MAR
Title MAINBOARD FINALIZER EXPRESS	Module title P13006_WX2FNT_P13006-DG_1	
Number P13006	Revision DGC	Previous page 3
Date 19-4-2011_11:12	Filename	Page / of 7 / 15



Optional AES3id  
BNC OUT

AES/EBU  
XLR OUT

S/PDIF  
RCA PHONO OUT

Optional AES3id  
BNC IN

AES/EBU  
XLR IN

S/PDIF  
RCA PHONO IN

ADAT  
OPTO OUT

ADAT  
OPTO IN

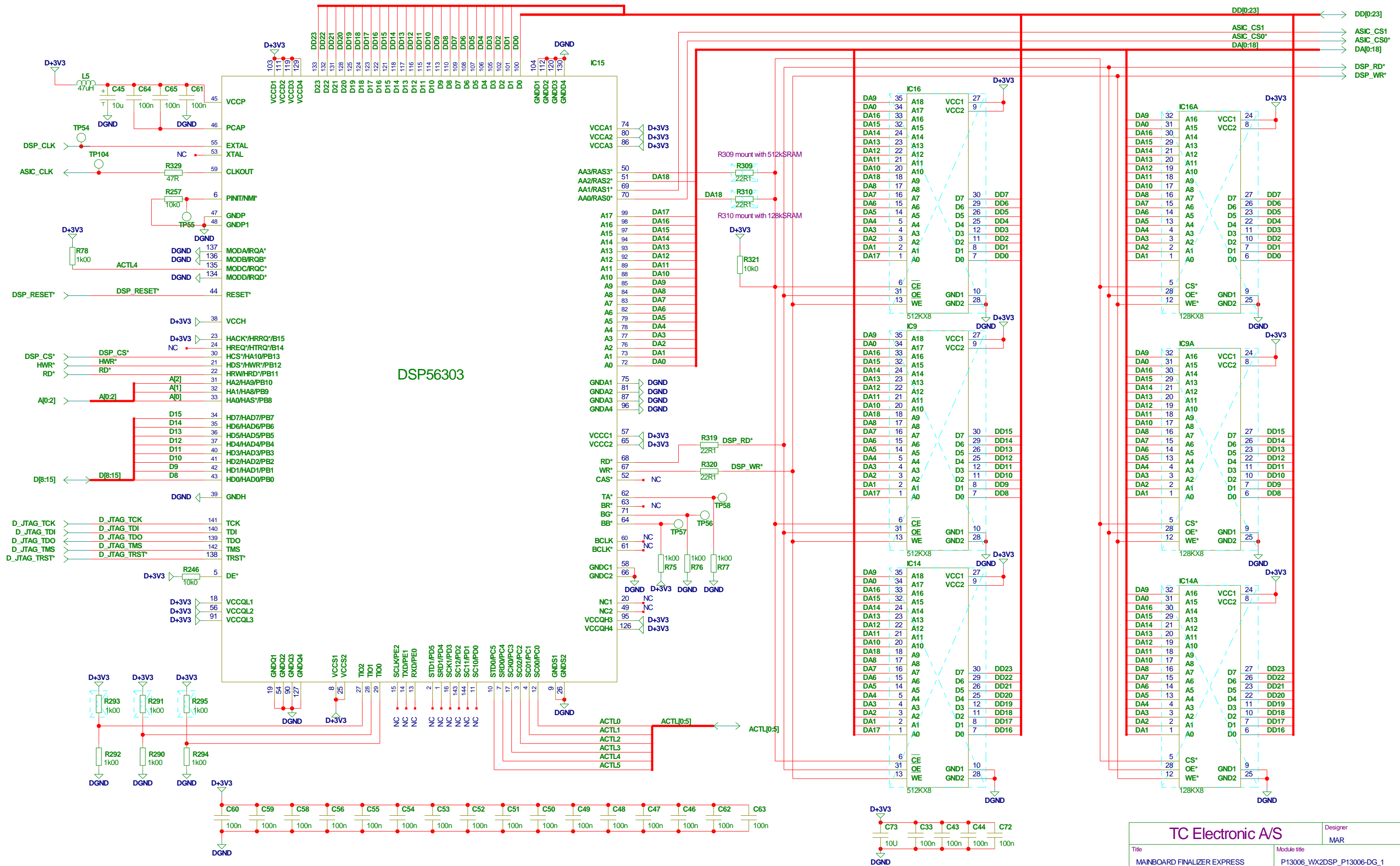
SYNC IN

<b>TC Electronic A/S</b>		Designer MAR
Title MAINBOARD FINALIZER EXPRESS	Module title P13006_WX2DGL_P13006-DG_1	
Number P13006	Revision DGC	Previous page 1
Date 19-4-2011_11:12	Filename	Page / of 8 / 15

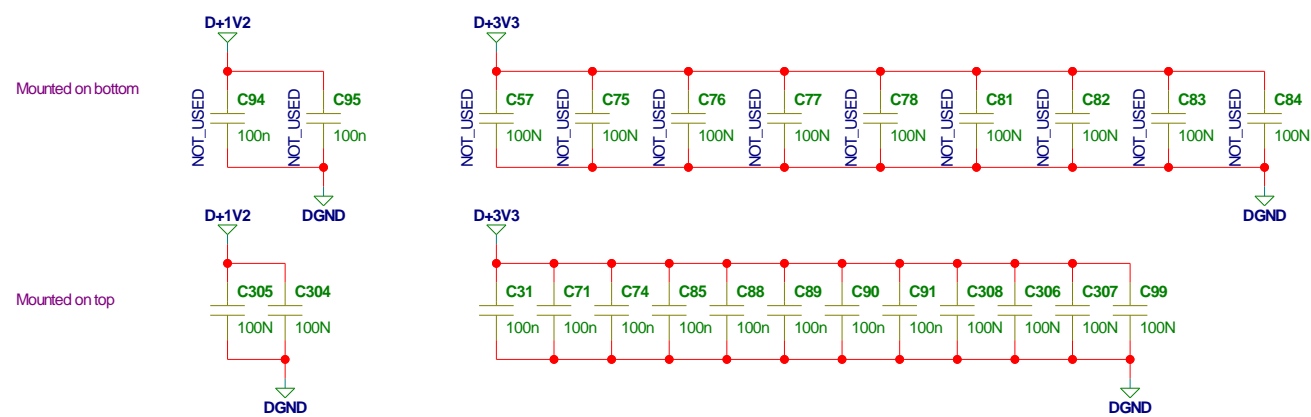
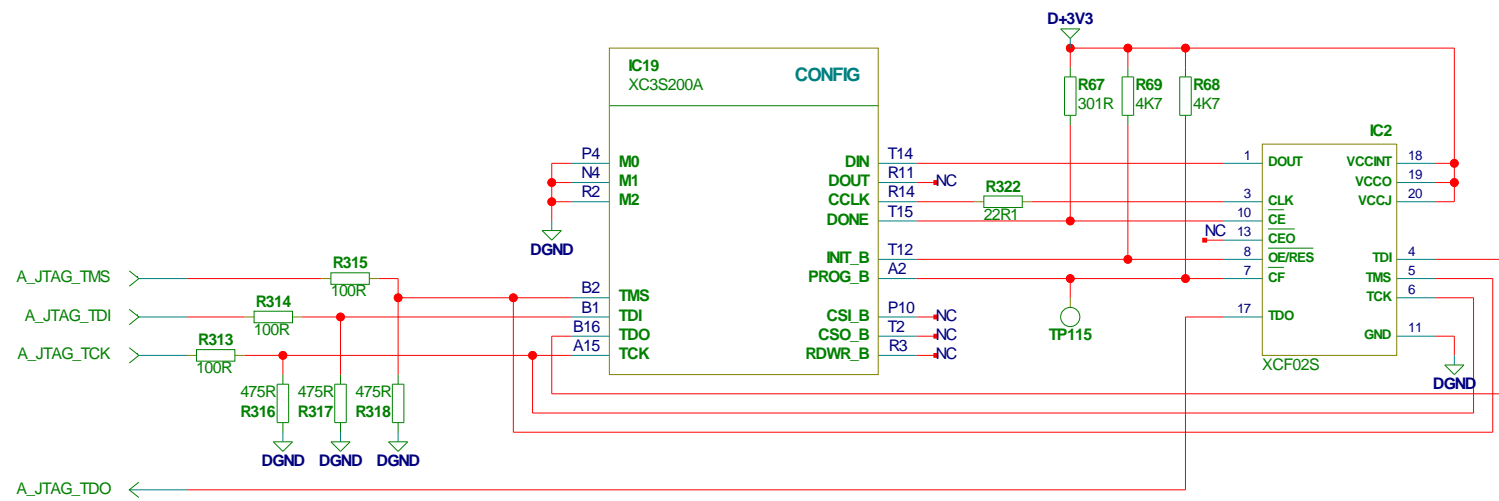
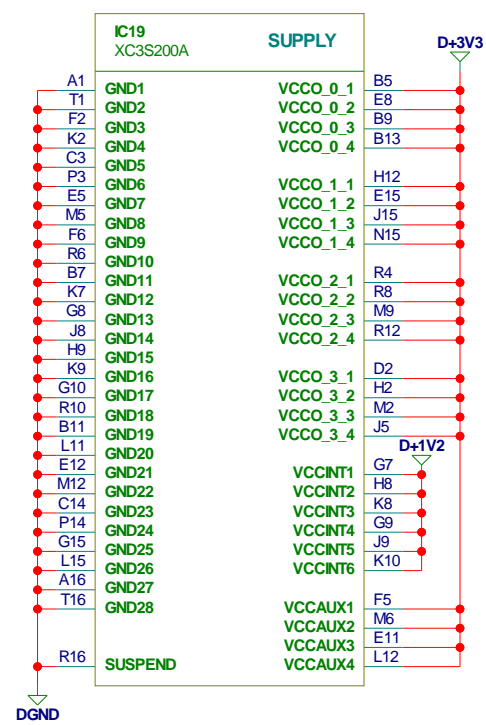


# 512k SRAM option

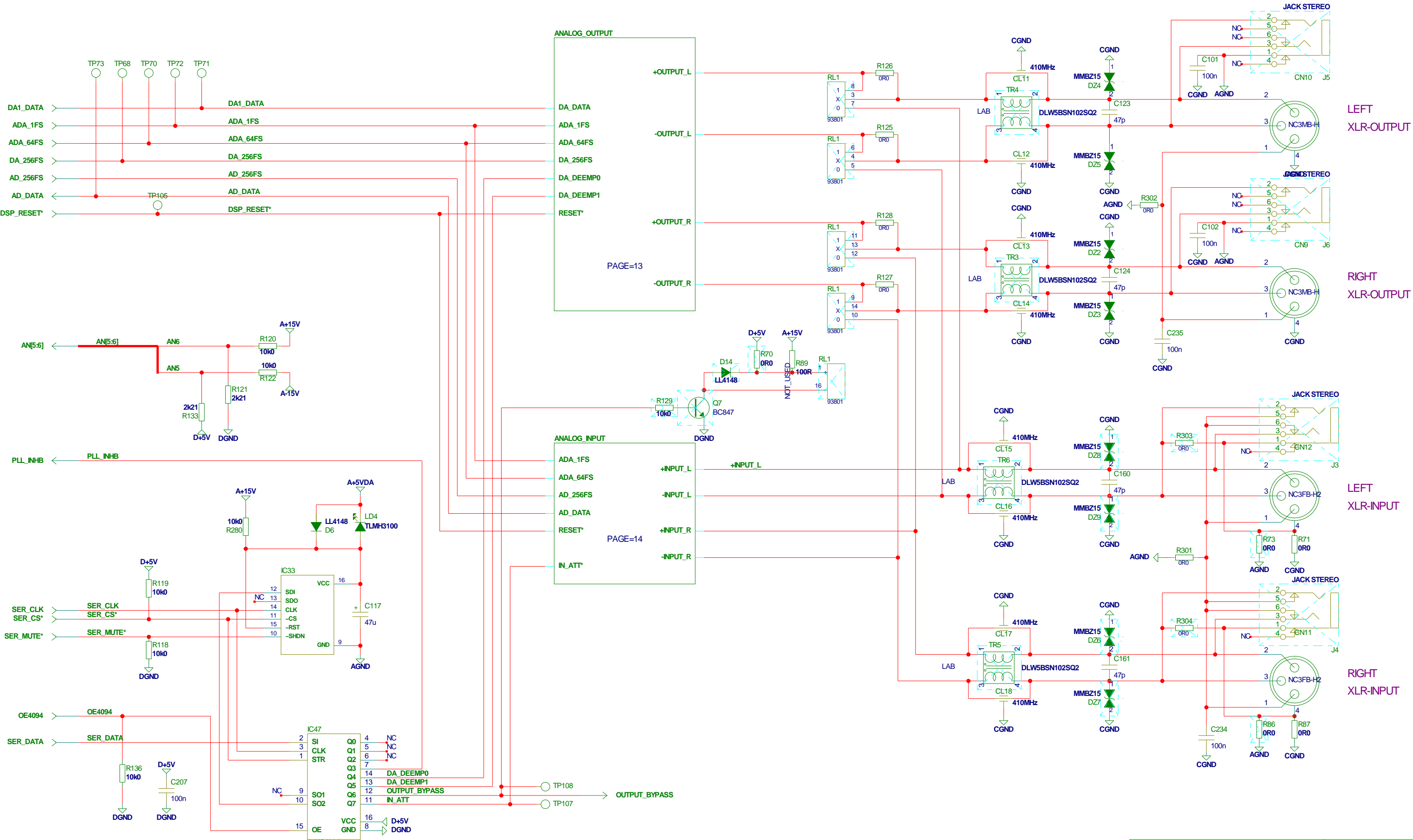
# 128k SRAM option



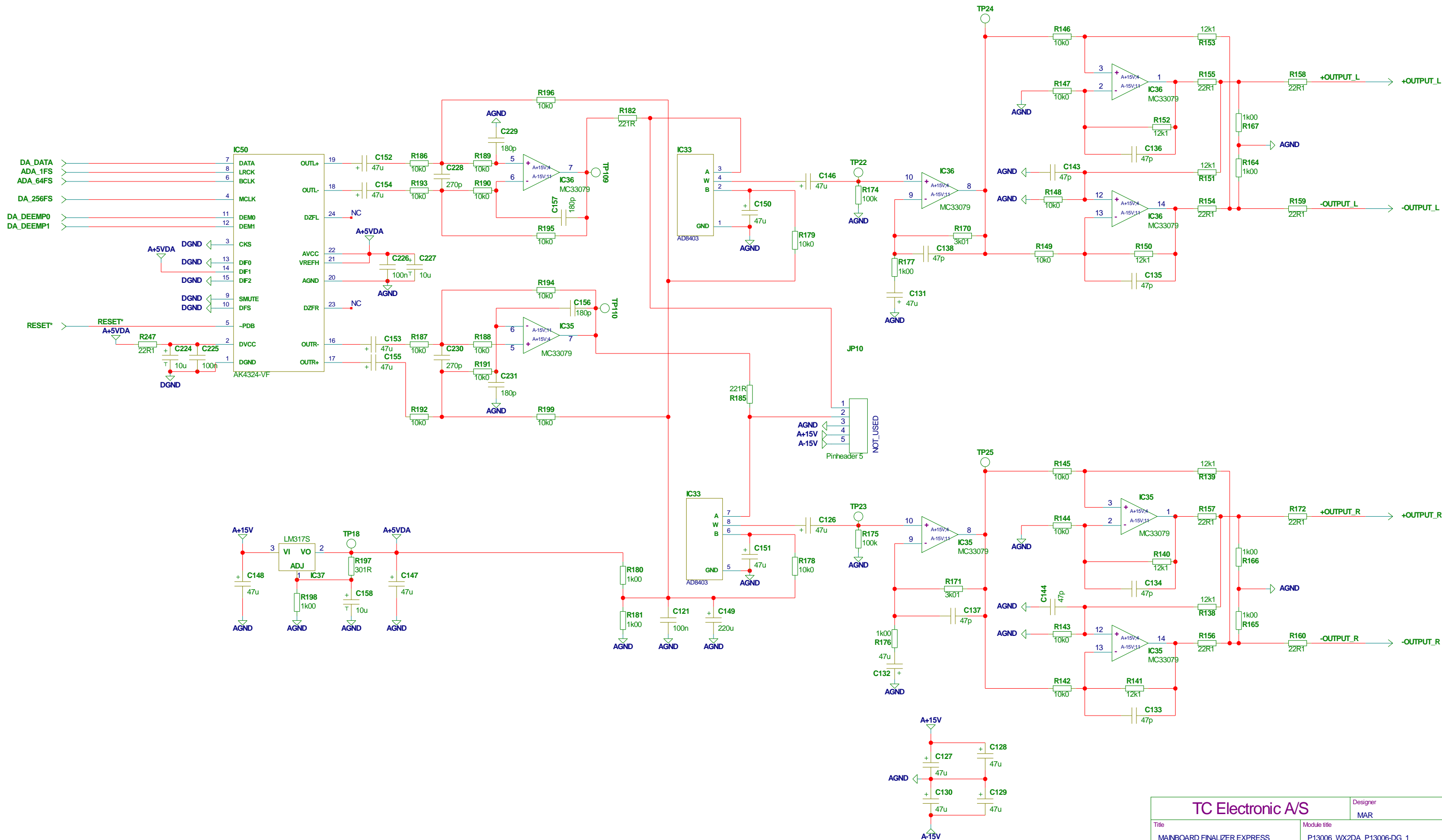




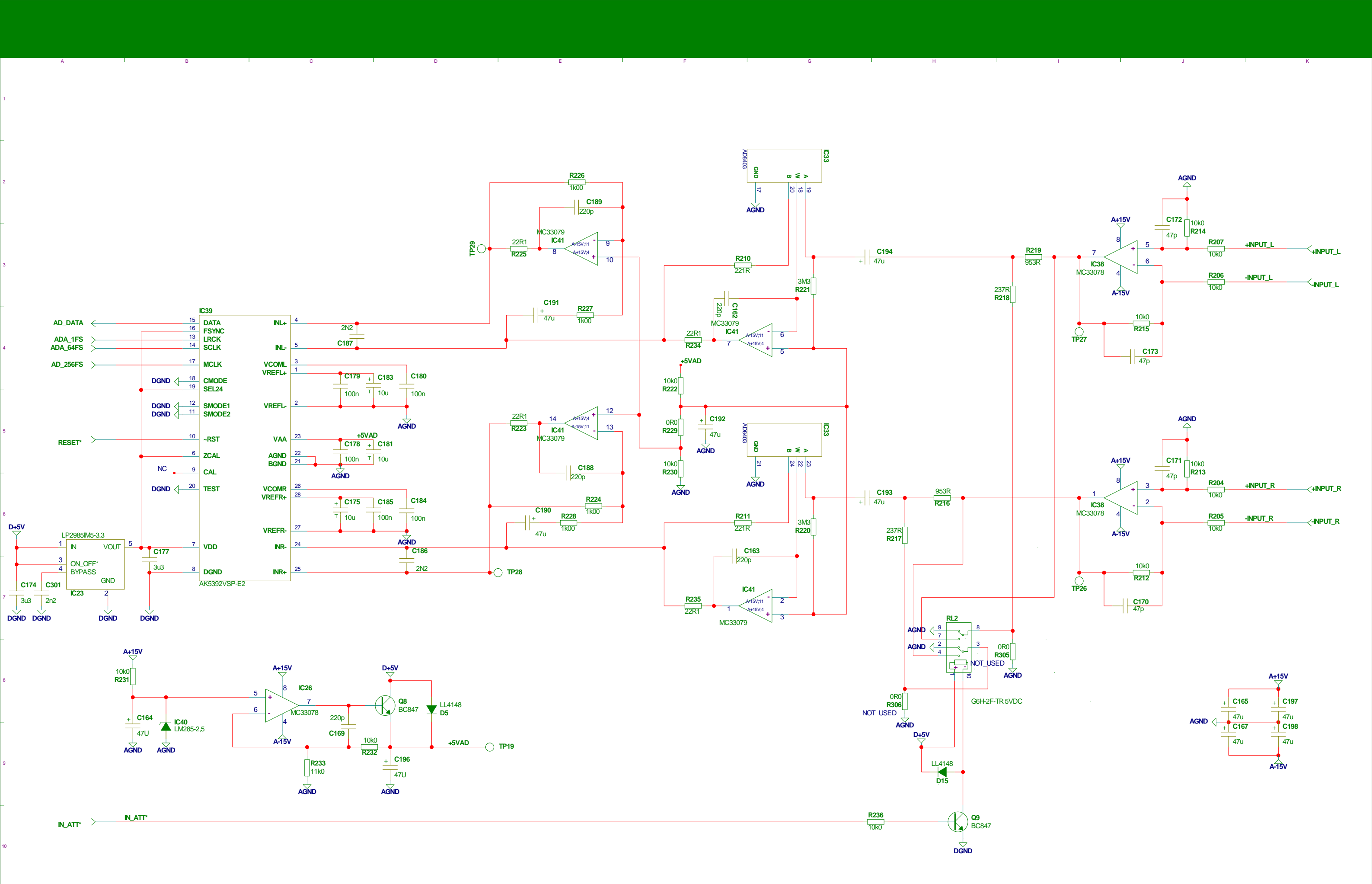
TC Electronic A/S		Designer
		MAR
Title	MAINBOARD FINALIZER EXPRESS	Module title
		P13006_WX2ASI_P13006-DG_1
Number	P13006	Revision
		DGC
		Previous page
		1
Date	19-4-2011_11:13	Filename
		Page / of
		11 / 15



<b>TC Electronic A/S</b>		Designer MAR
Title MAINBOARD FINALIZER EXPRESS	Module title P13006_WX2ADA_P13006-DG_1	
Number P13006	Revision DGC	Previous page 1
Date 19-4-2011_11:13	Filename	Page / of 12 / 15



TC Electronic A/S		Designer
Title		MAR
MAINBOARD FINALIZER EXPRESS		Module title
P13006		P13006_WX2DA_P13006-DG_1
Number	Revision	Previous page
P13006	DGC	12
Date	Filename	Page / of
19-4-2011_11:13		13 / 15



<b>TC Electronic A/S</b>		Designer MAR
Title MAINBOARD FINALIZER EXPRESS	Module title P13006_WX2AD_P13006-DG_1	
Number P13006	Revision DGC	Previous page 12
Date 19-4-2011_11:13	Filename	Page / of 14 / 15

