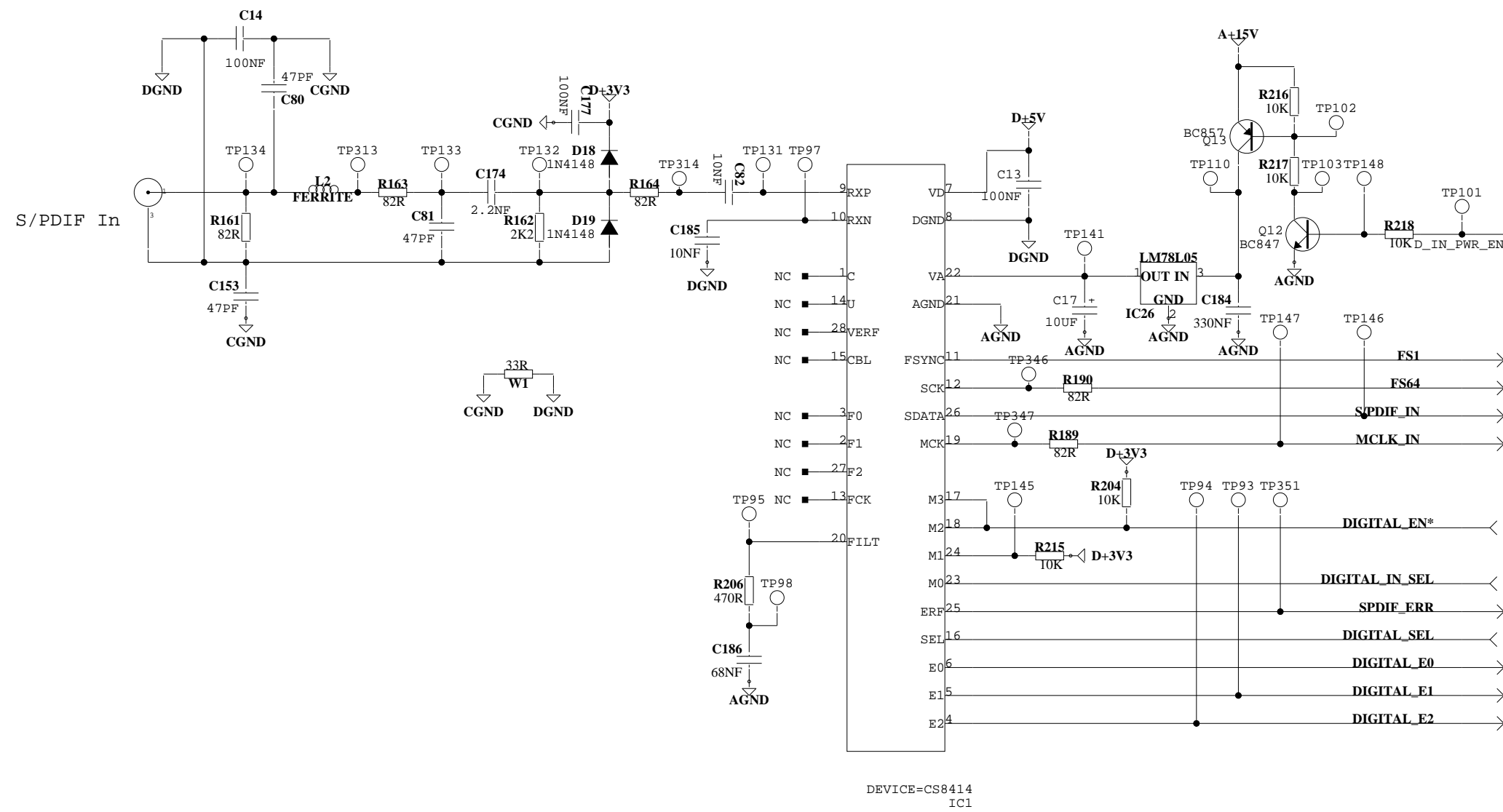


Manhattan Mainboard PCB  
M10

TC Electronic A/S		Designer MAR.HK
Title MANHATTAN M-ONE XL	Module title BLOCK LEVEL SCHEMATIC	
Number P16001	Revision 6AB	Previous page XX
Date 4-4-2002 11:03	Filename MAINBOARD	Page / of 1 / 13

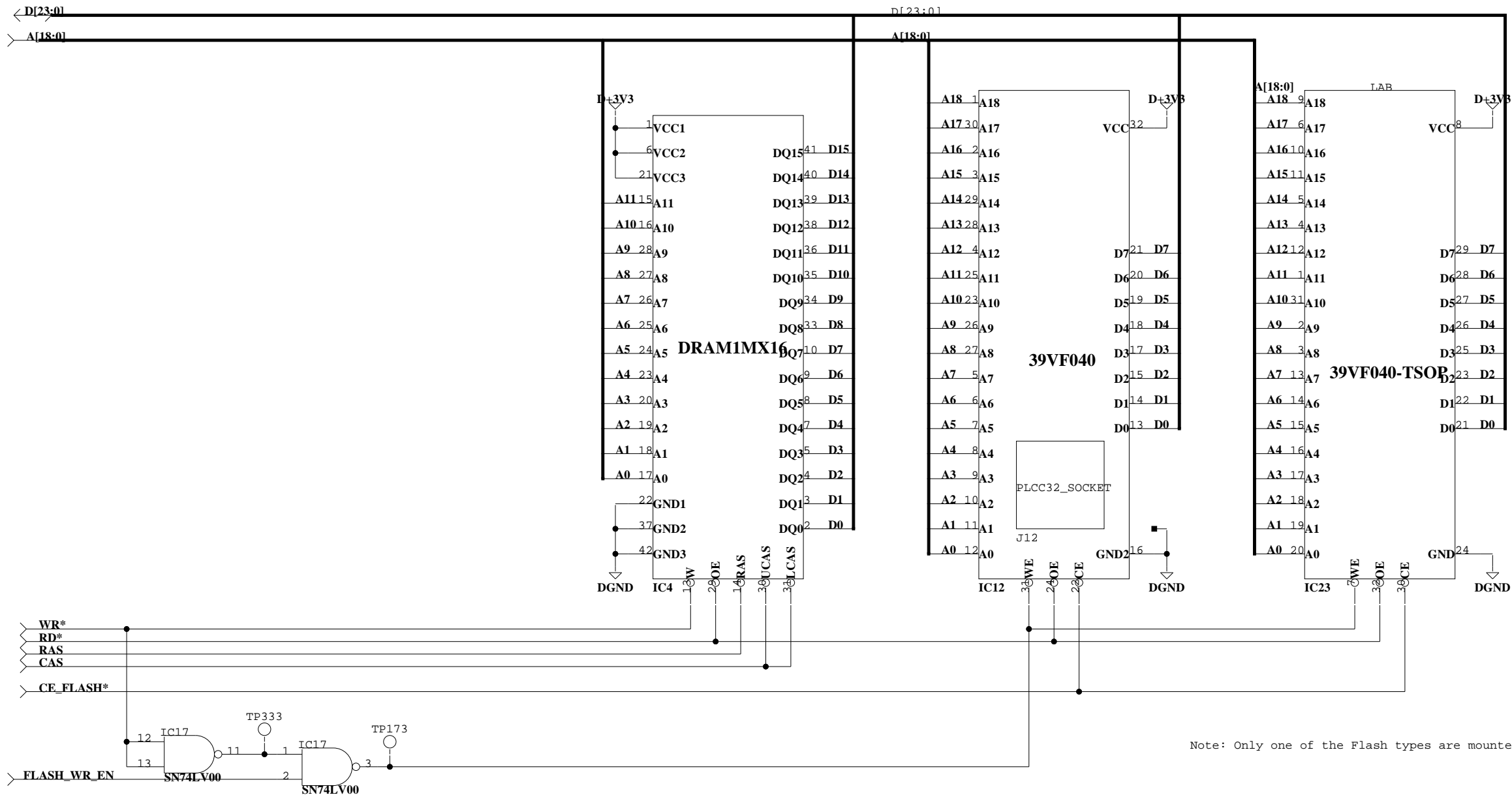
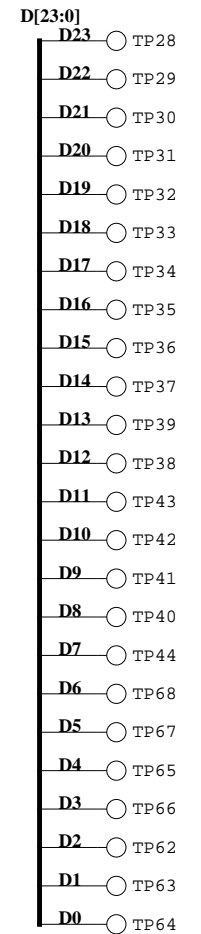
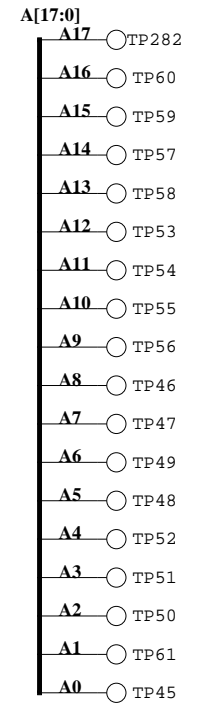
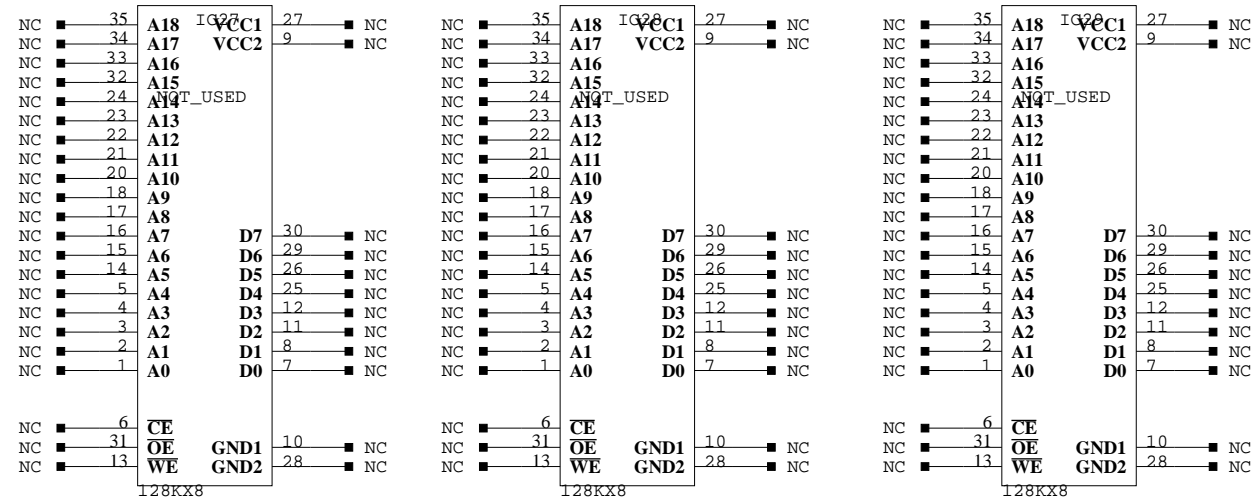


<b>TC Electronic A/S</b>		Designer MAR
Title MANHATTAN M-ONE XL	Module title DIGITAL INPUT	
Number NUMBER	Revision 6AB	Previous page 1
Date 4-4-2002 11:00	Filename DIGITAL_IN	Page / of 10 / 13





These devices defines the SRAM on the Partlist

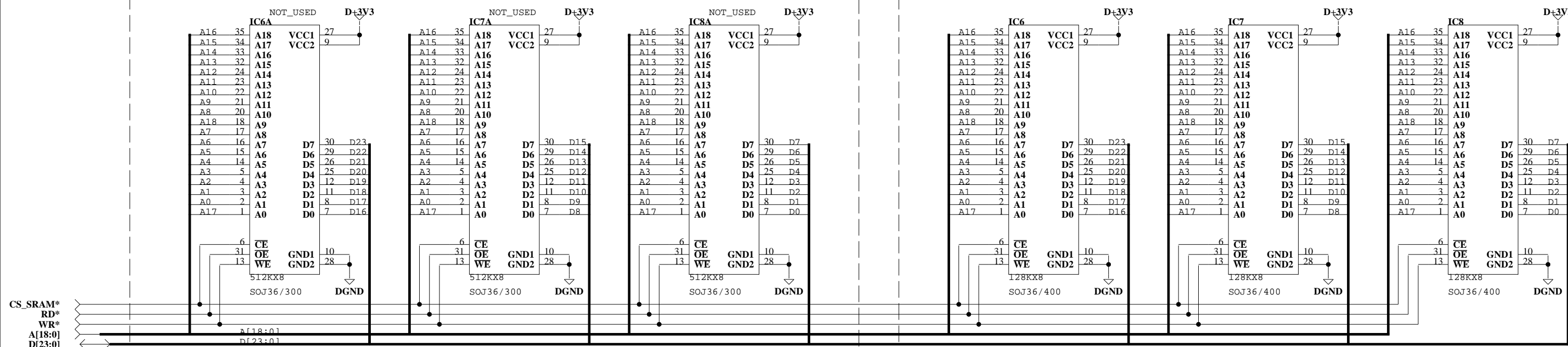


Note: Only one of the Flash types are mounted

Title		Module title		Designer	
MANHATTAN M-ONE XL		MEMORY		MAR.HK	
Number	Revision	Filename	Page / of	Previous page	
P16001	6AB	MEM	4 / 13	1	
Date	Page / of		Page / of		
4-4-2002 11:01	MEM		4 / 13		

SOJ36/300 mil - 128k/512k

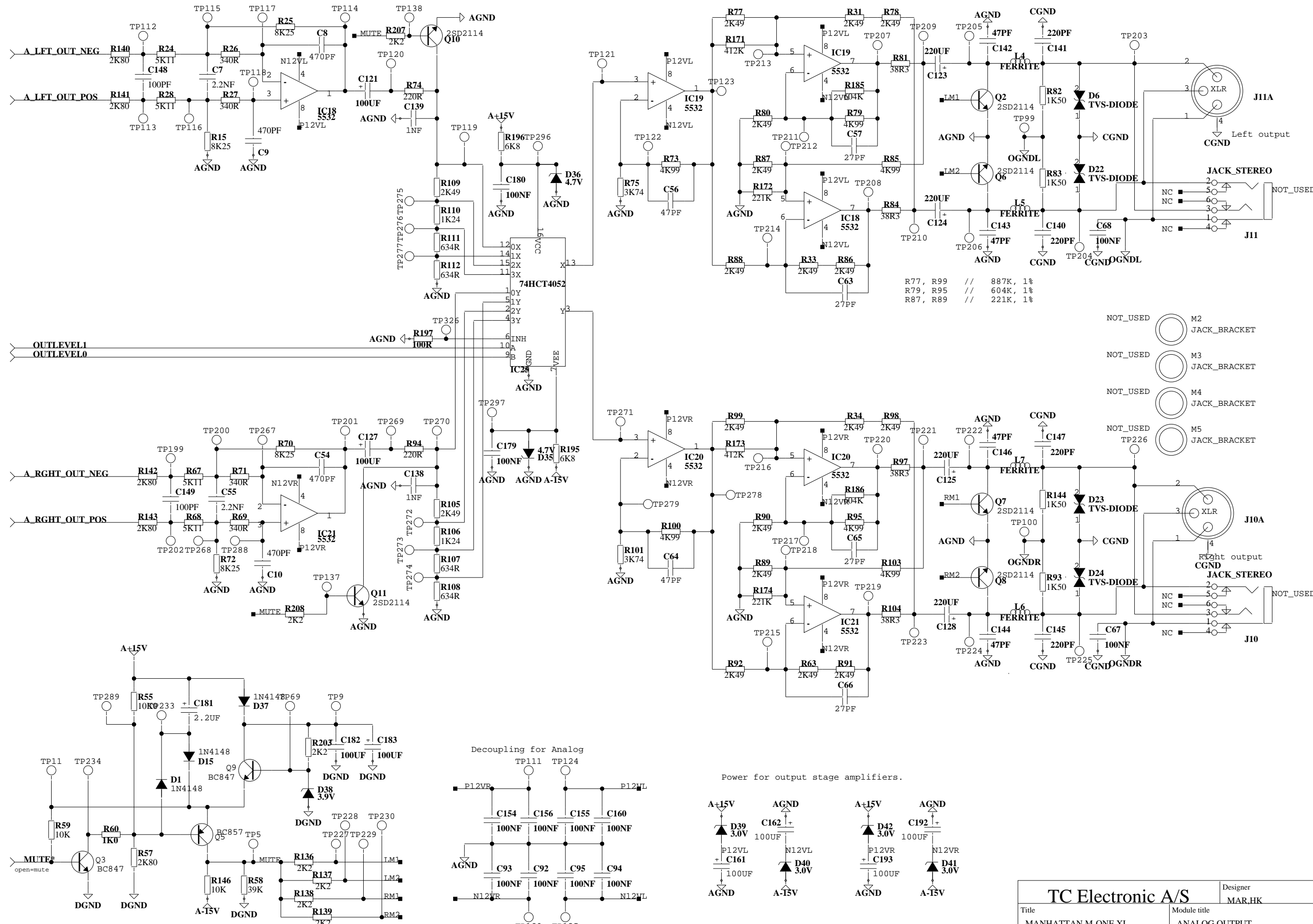
SOJ36/400 mil - 128k/512k



These SRAM devices defines the PCB layout

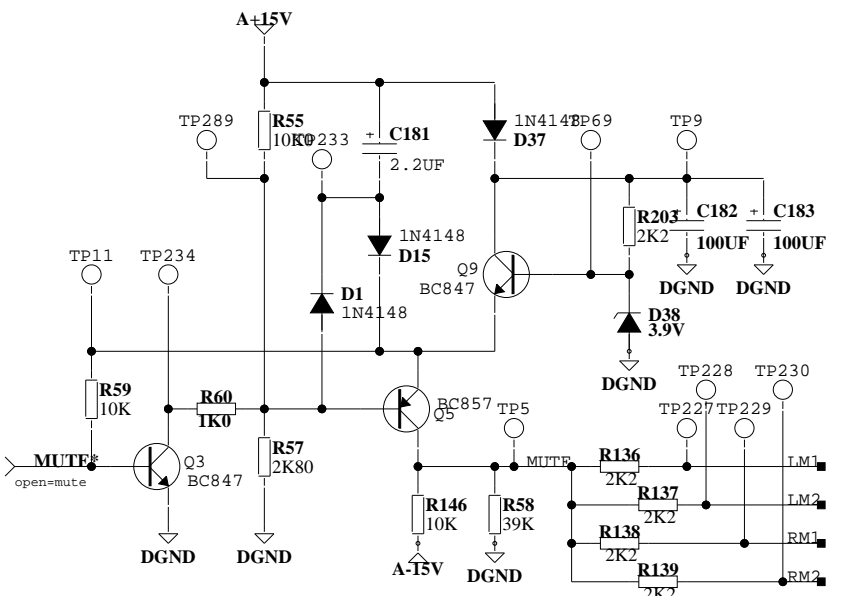
Title		Module title
MANHATTAN M-ONE XL		MEMORY - ALT PACKAGE
Number	Revision	Previous page
NUMBER	6AB	1
Date	Filename	Page / of
4-4-2002 11:01	MEM	5 / 13

Designer  
MAR.HK

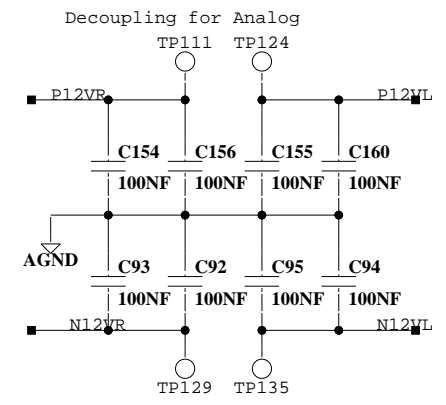


R77, R99 // 887K, 1%  
 R79, R95 // 604K, 1%  
 R87, R89 // 221K, 1%

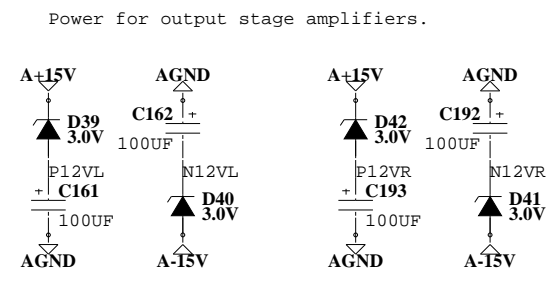
- NOT\_USED M2 JACK\_BRACKET
- NOT\_USED M3 JACK\_BRACKET
- NOT\_USED M4 JACK\_BRACKET
- NOT\_USED M5 JACK\_BRACKET



Mute circuit

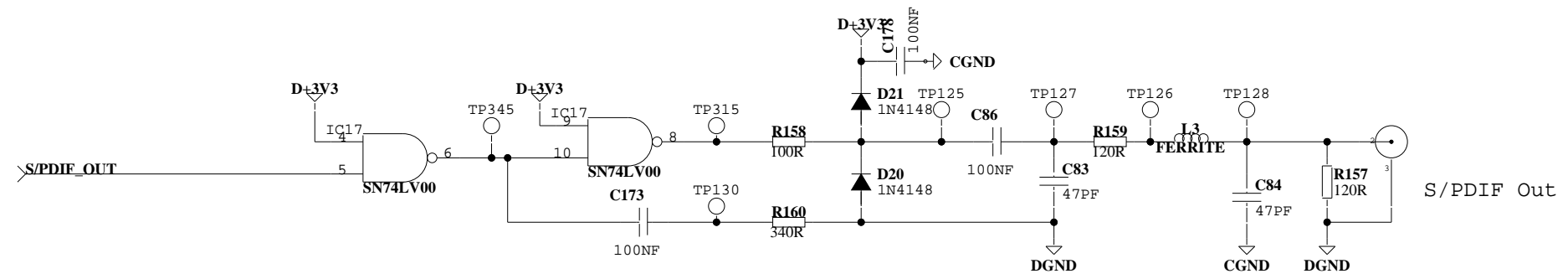


Decoupling for Analog



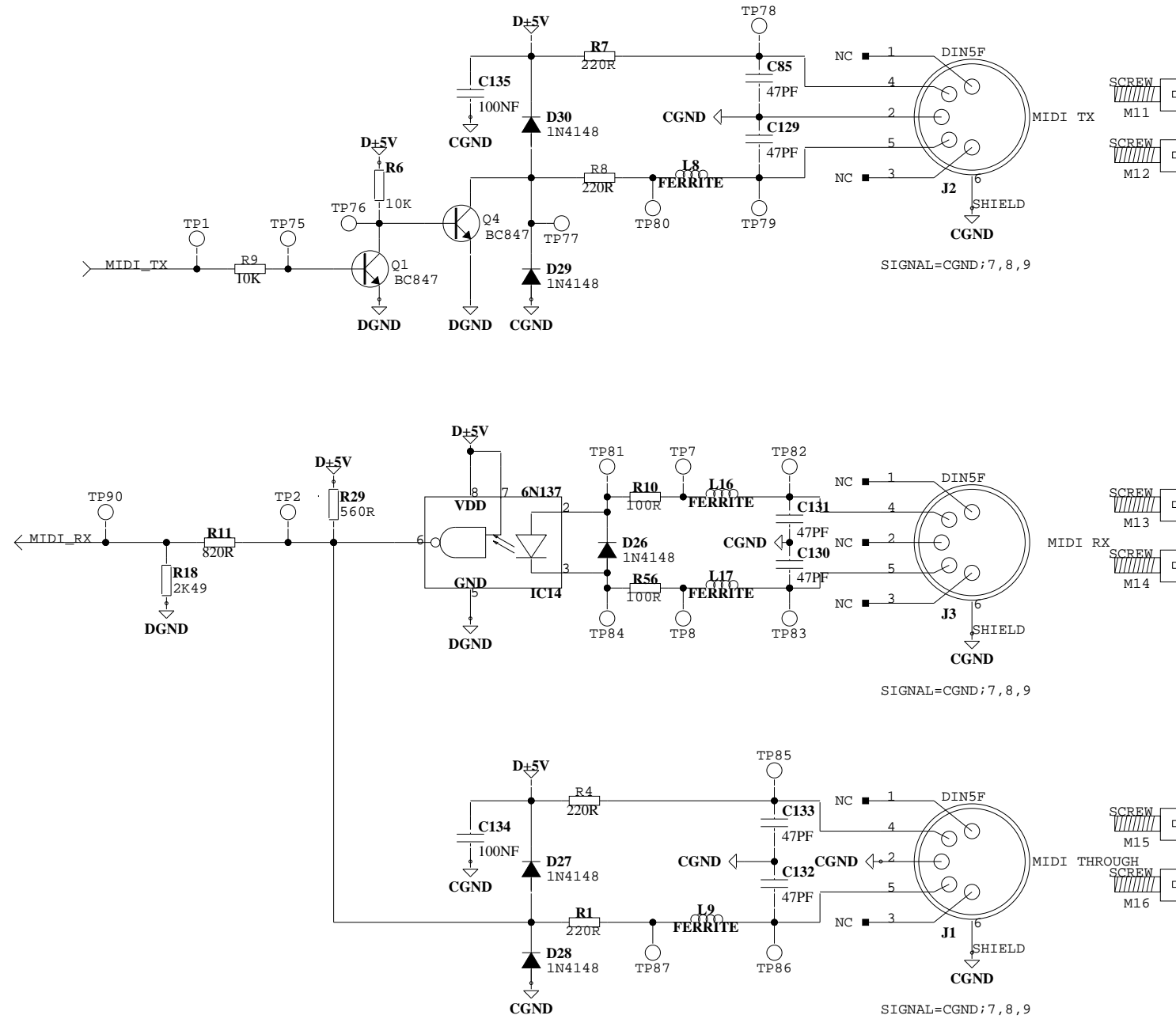
Power for output stage amplifiers.

<b>TC Electronic A/S</b>		Designer MAR.HK
Title MANHATTAN M-ONE XL	Module title ANALOG OUTPUT	
Number P16001	Revision 6AB	Previous page 1
Date 4-4-2002 11:01	Filename ANALOG_OUT	Page / of 9 / 13

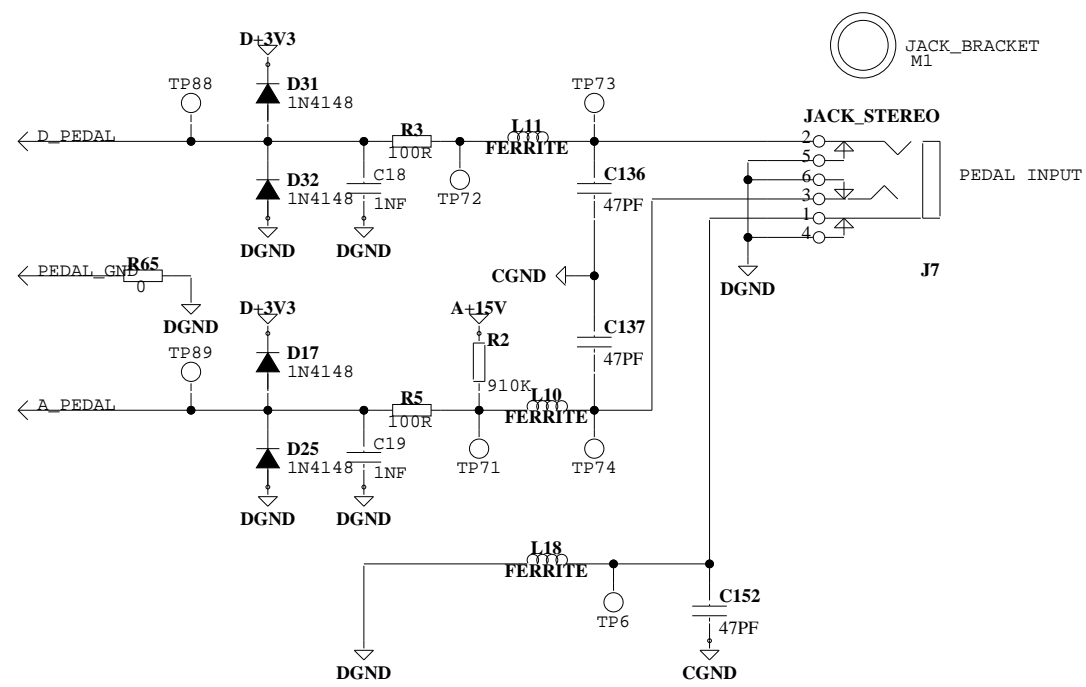


<b>TC Electronic A/S</b>		Designer MAR
Title MANHATTAN M-ONE XL	Module title DIGITAL OUTPUT	
Number NUMBER	Revision 6AB	Previous page 1
Date 4-4-2002 11:02	Filename DIGITAL_OUT	Page / of 11 / 13





<b>TC Electronic A/S</b>		Designer MAR
Title MANHATTAN M-ONE XL	Module title MIDIINTERFACE	
Number NUMBER	Revision 6AB	Previous page 1
Date 4-4-2002 11:02	Filename MIDI	Page / of 12 / 13

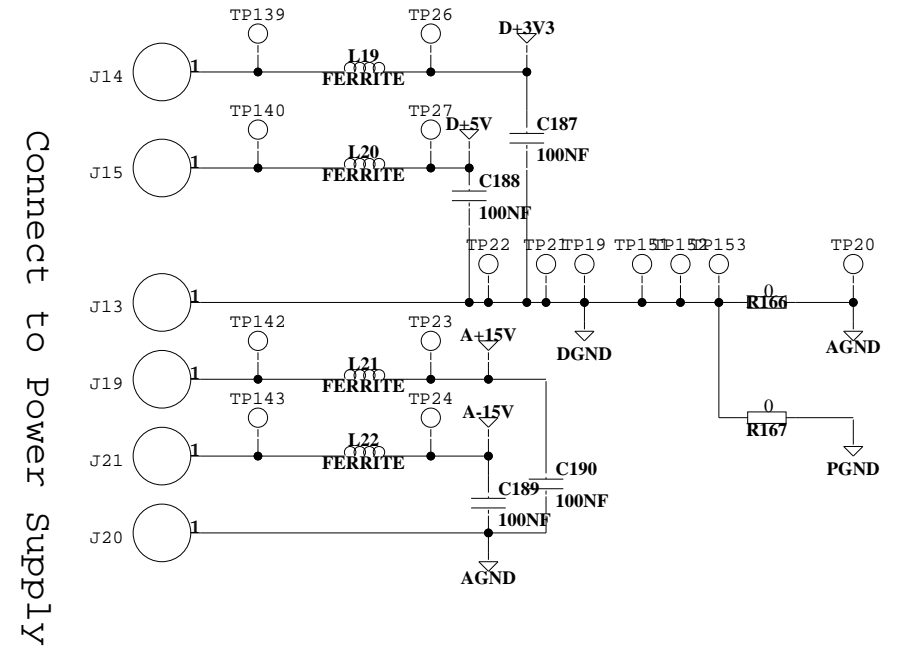
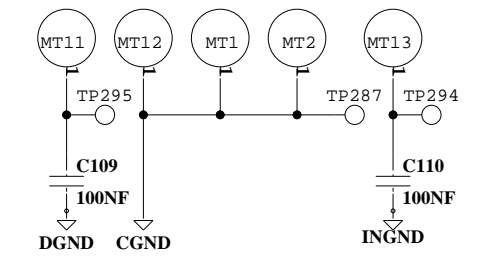
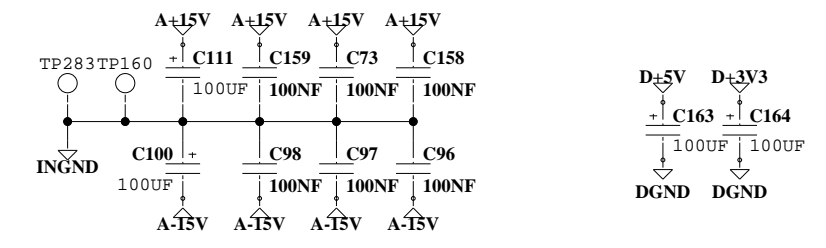
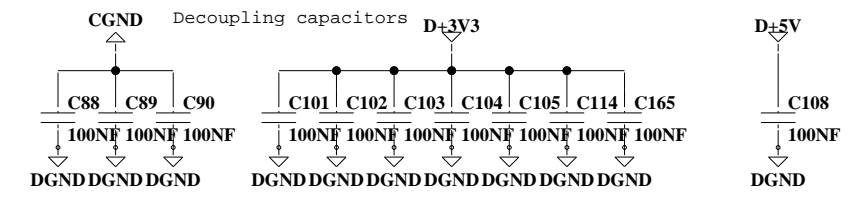
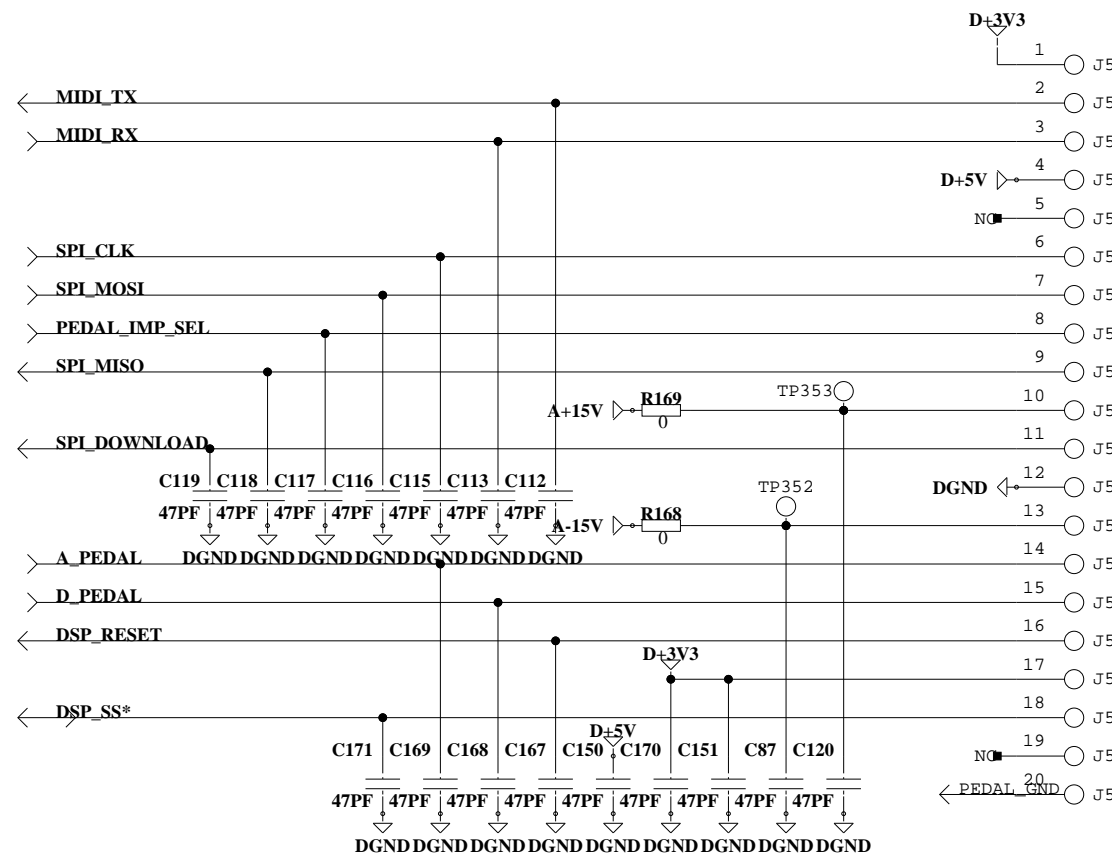


Title		Module title
MANHATTAN M-ONE XL		PEDAL INTERFACE
Number	Revision	Previous page
NUMBER	6AB	1
Date	Filename	Page / of
4-4-2002 11:02	PEDAL	13 / 13

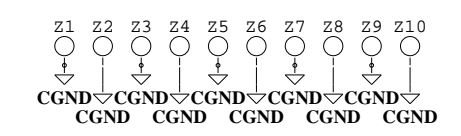
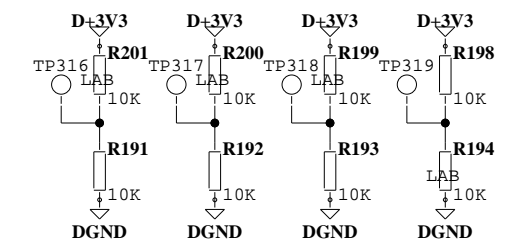
TC Electronic A/S

Designer  
MAR

Connect to Front

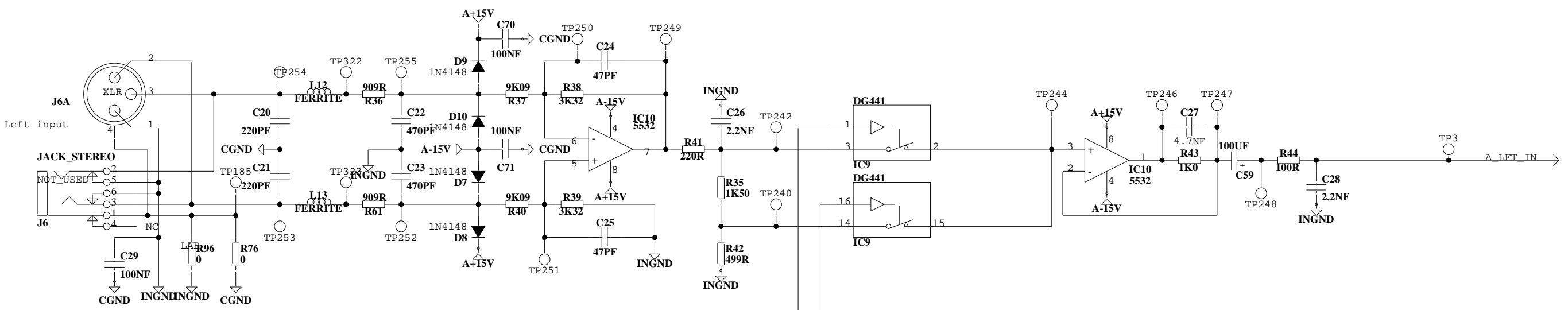


PCB Revision strap field.

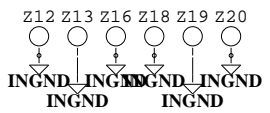
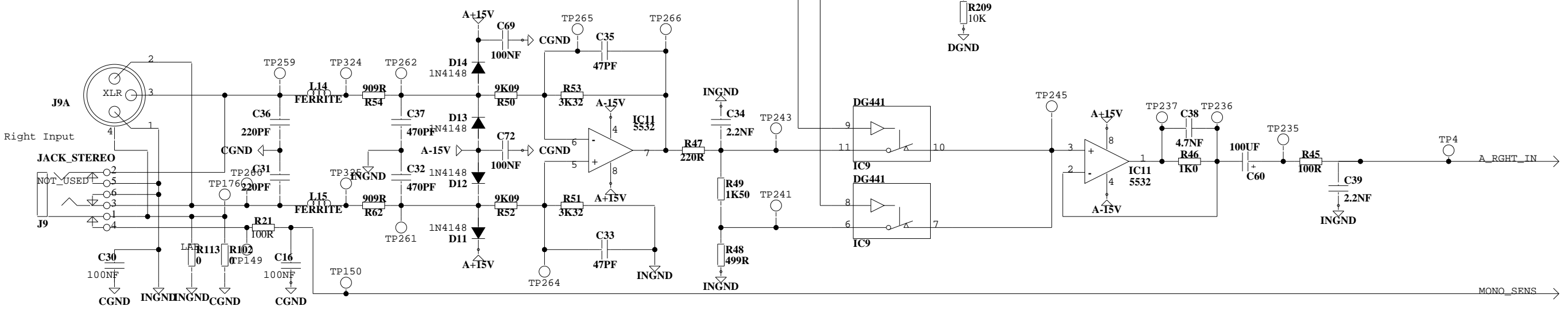


Connect to Power Supply

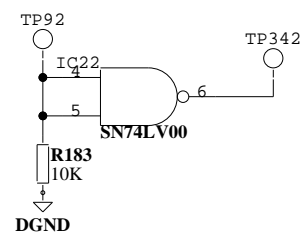
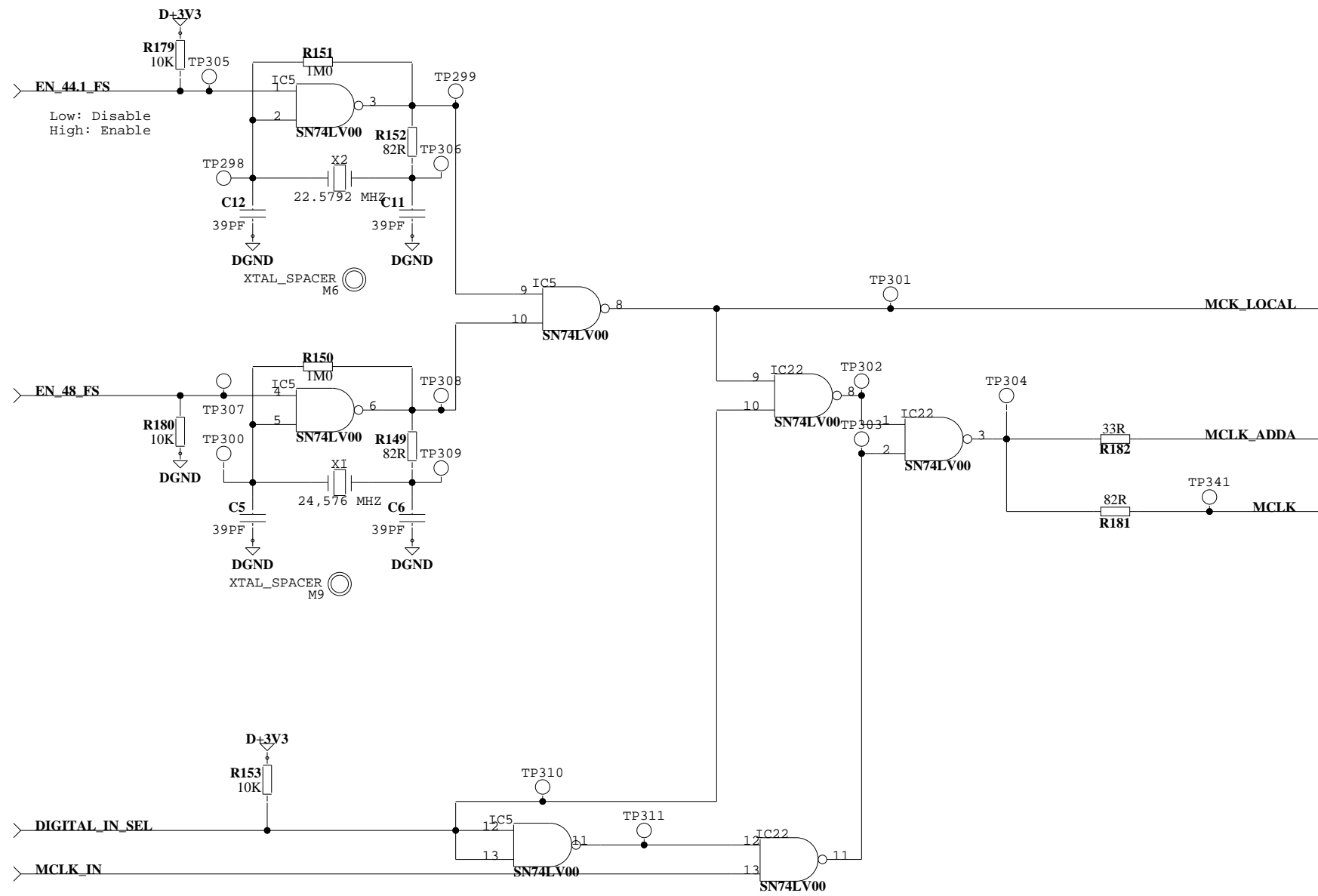
<b>TC Electronic A/S</b>		Designer MAR
Title MANHATTAN M-ONE XL	Module title INTERFACE TO FRONT AND POWER	
Number NUMBER	Revision 6AB	Previous page 1
Date 4-4-2002 11:03	Filename INTERFACE	Page / of 2 / 13



JACK version: R96 and R113 (0 ohm) mounted.  
 XLR version: R76 and R102 (0 ohm) mounted



<b>TC Electronic A/S</b>		Designer HK, MAR
Title MANHATTAN M-ONE XL	Module title ANALOG INPUT	
Number P16001	Revision 6AB	Previous page 1
Date 4-4-2002 11:03	Filename ANALOG_IN	Page / of 7 / 12



Title		Module title	Designer
MANHATTAN M-ONE XL		CLOCK	MAR
Number	Revision	Previous page	
NUMBER	6AB	1	
Date	Filename	Page / of	
4-4-2002 11:03	CLOCK	6 / 13	