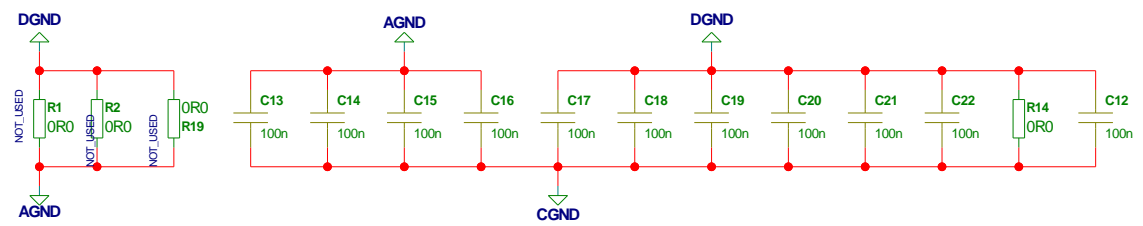
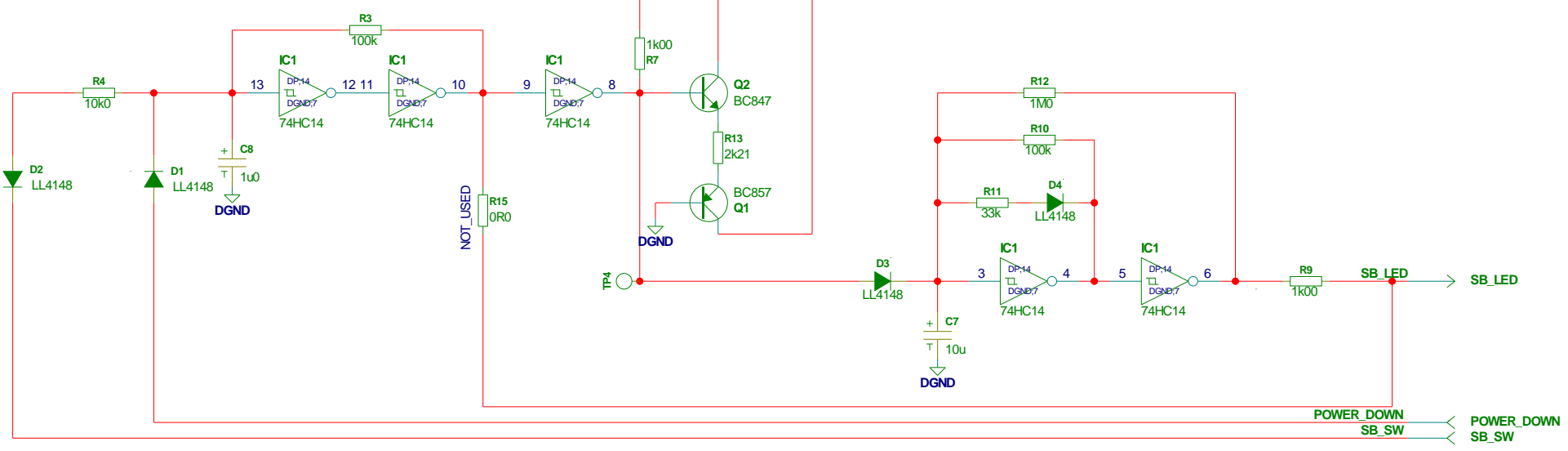
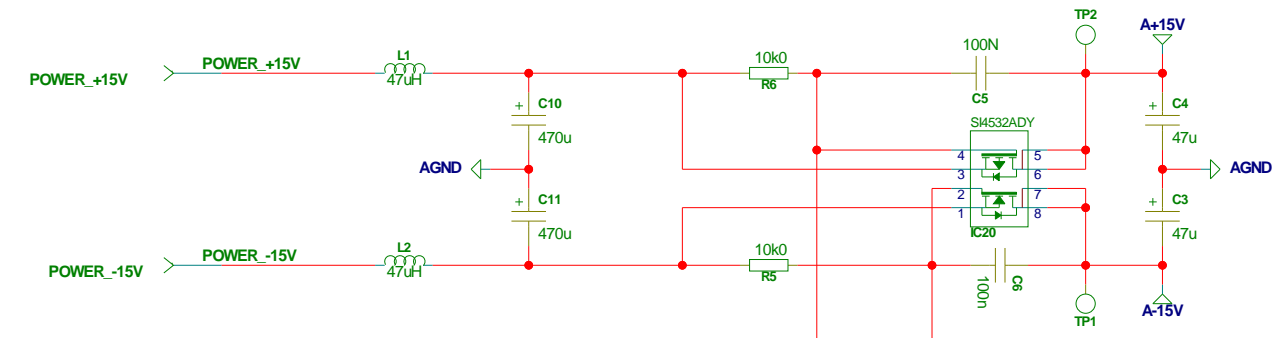
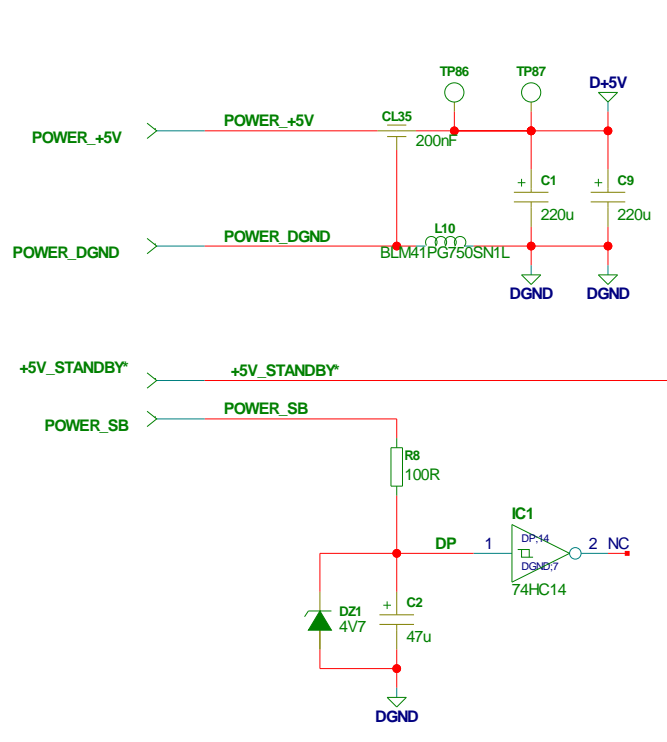
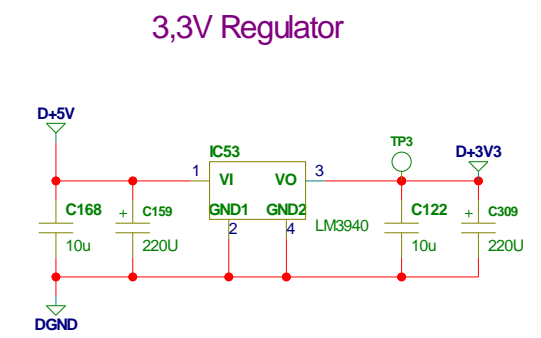
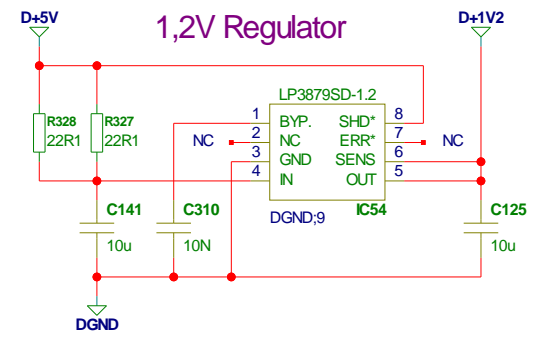
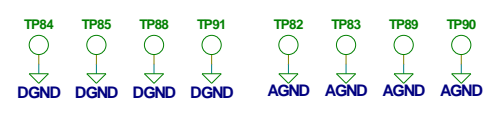
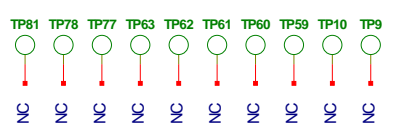


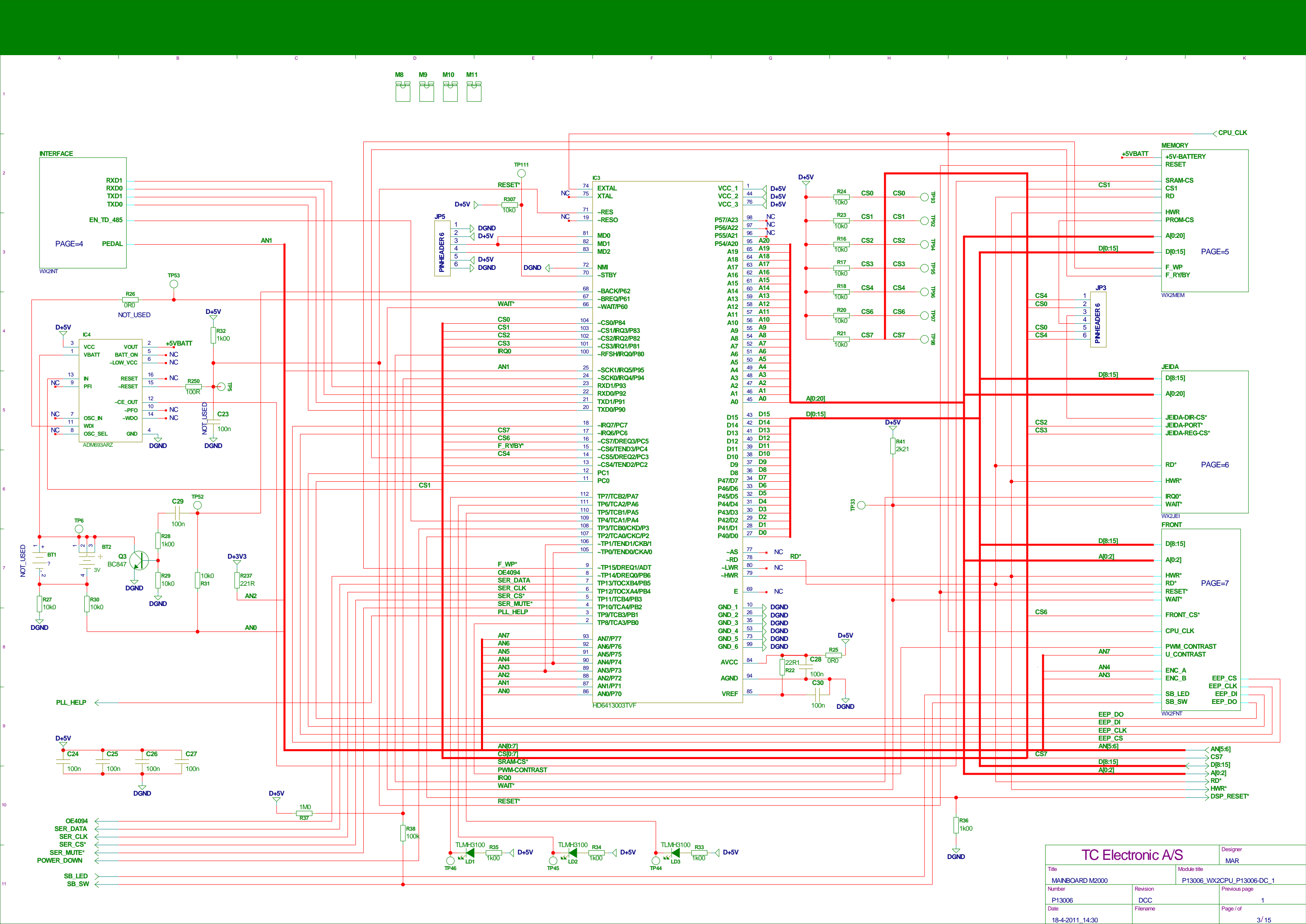
TC Electronic A/S		Designer MAR
Title MAINBOARD M2000		Module title P13006-D_P13006-DC
Number P13006	Revision DCC	Previous page 1
Date 19-4-2011_11:23	Filename	Page / of 1 / 15

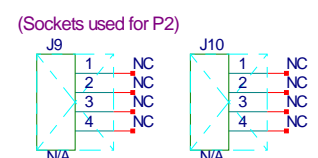
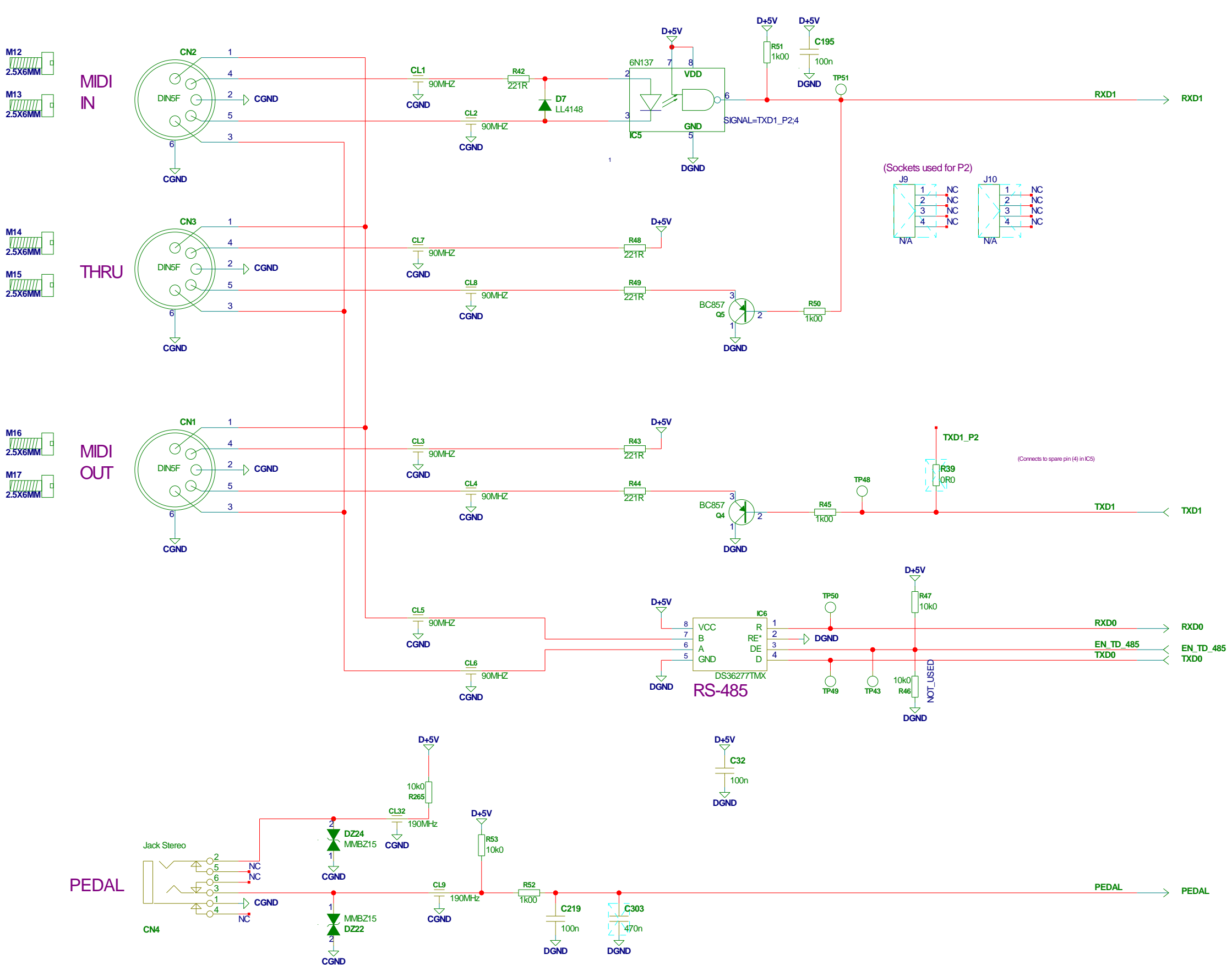


Unused Testpoints



TC Electronic A/S		Designer MAR
Title MAINBOARD M2000	Module title P13006_WX2POW_P13006-DC_1	
Number P13006	Revision DCC	Previous page 1
Date 18-4-2011_14:29	Filename	Page / of 2 / 15





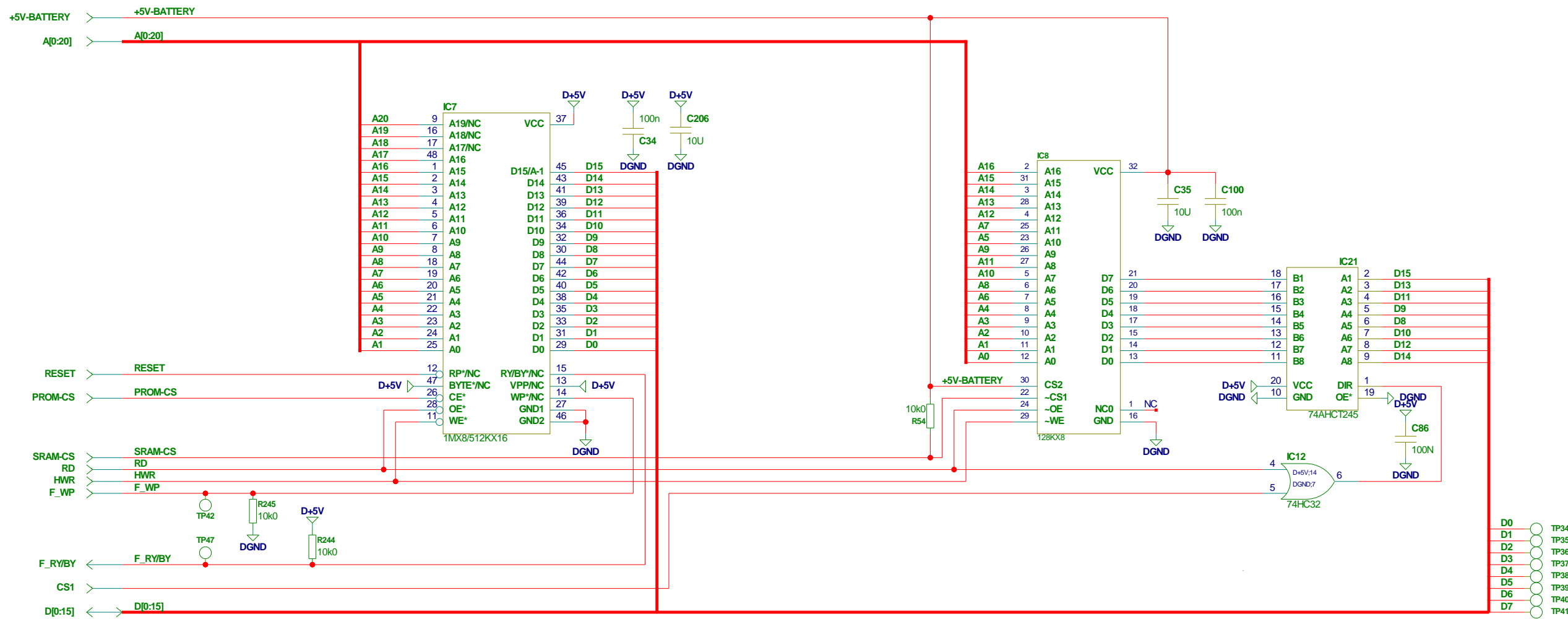
(Connects to spare pin (4) in IC5)

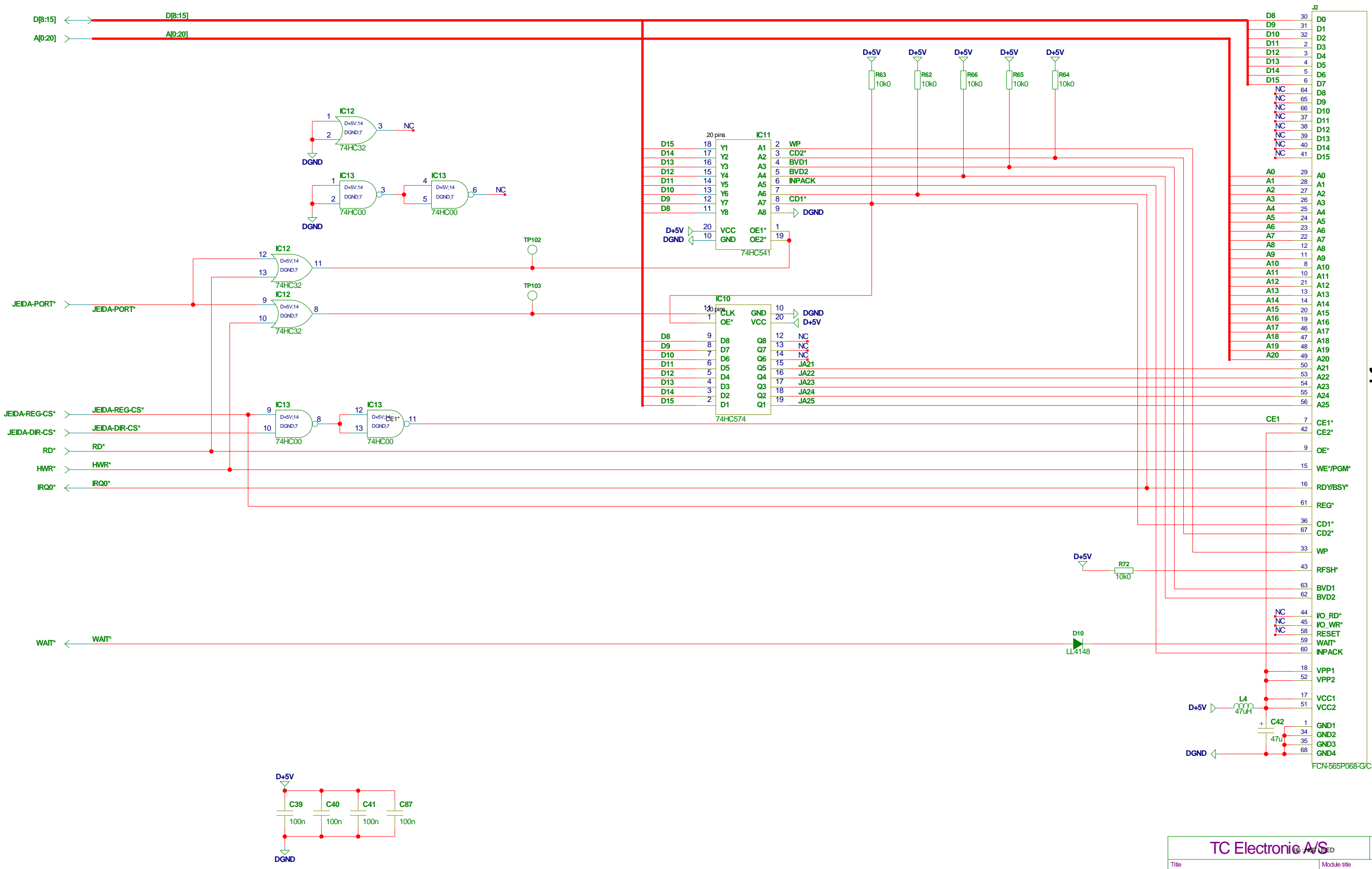
MIDI IN

THRU

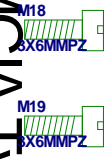
MIDI OUT

PEDAL



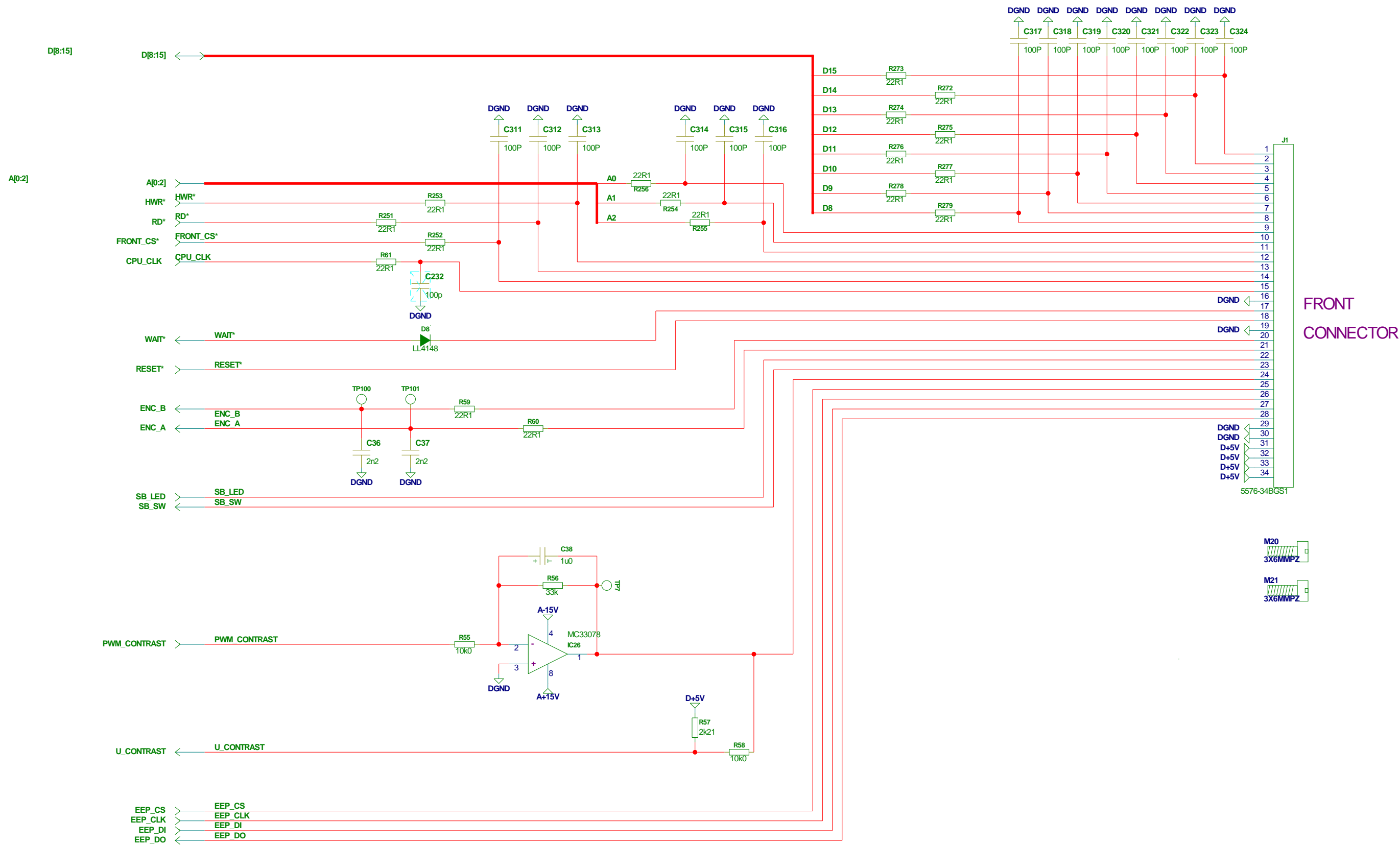


PCMCIA Type I

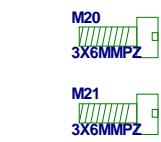


FCN-565P068-GC-V4

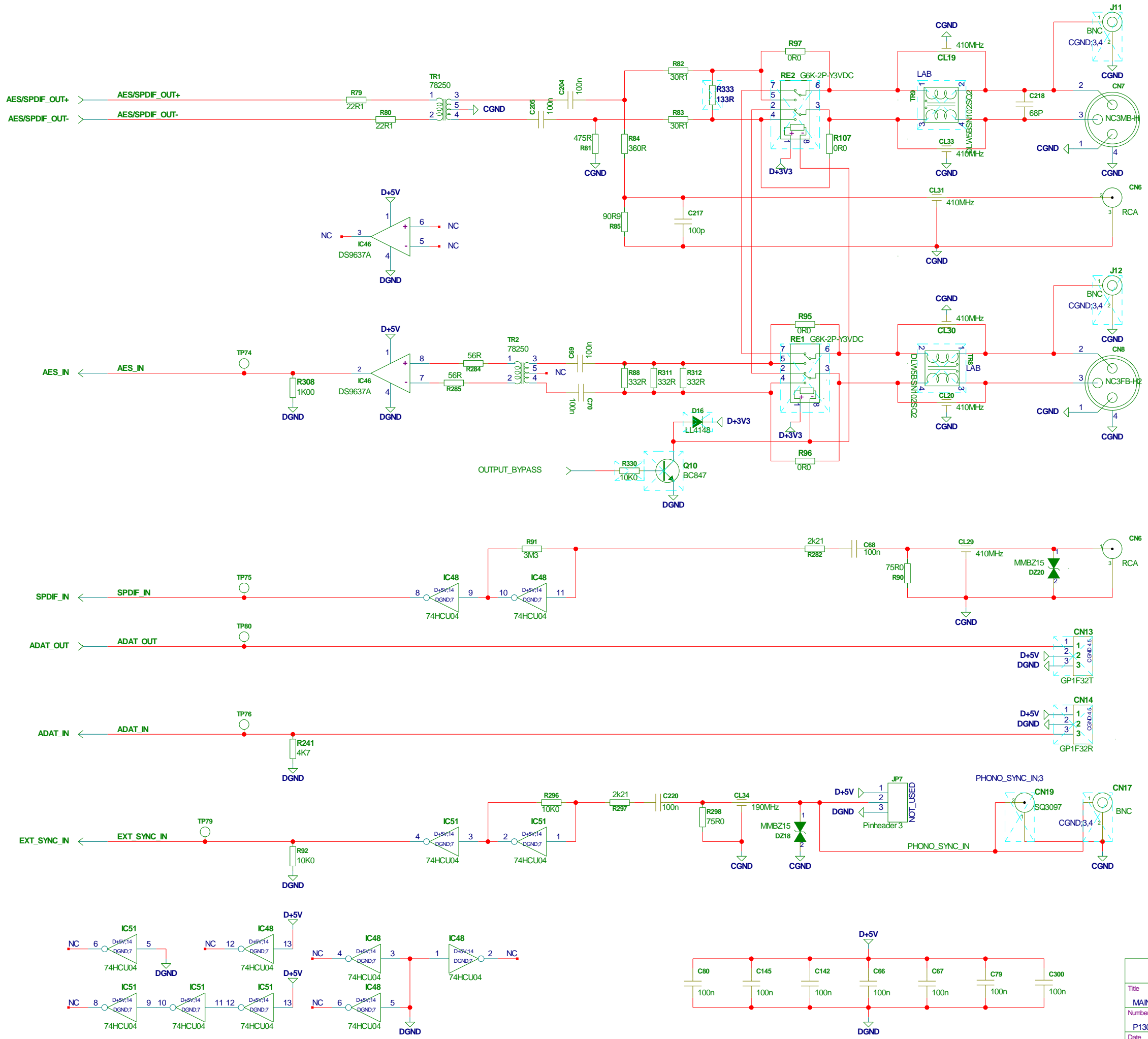
TC Electronic AS		Designer MAR
Title MAINBOARD M2000	Module title P13006_WX2JEL_P13006-DC_1	
Number "DBMX MAIN BOARD" P13006	Revision DCC	Previous page 3
Date 18-4-2011 14:31	Filename	Page / of 6 / 15



FRONT CONNECTOR



TC Electronic A/S		Designer MAR
Title MAINBOARD M2000		Module title P13006_WX2FNT_P13006-DC_1
Number P13006	Revision DCC	Previous page 3
Date 18-4-2011 14:31	Filename	Page / of 7 / 15



Optional AES3id
BNC OUT

AES/EBU
XLR OUT

S/PDIF
RCA PHONO OUT

Optional AES3id
BNC IN

AES/EBU
XLR IN

S/PDIF
RCA PHONO IN

ADAT
OPTO OUT

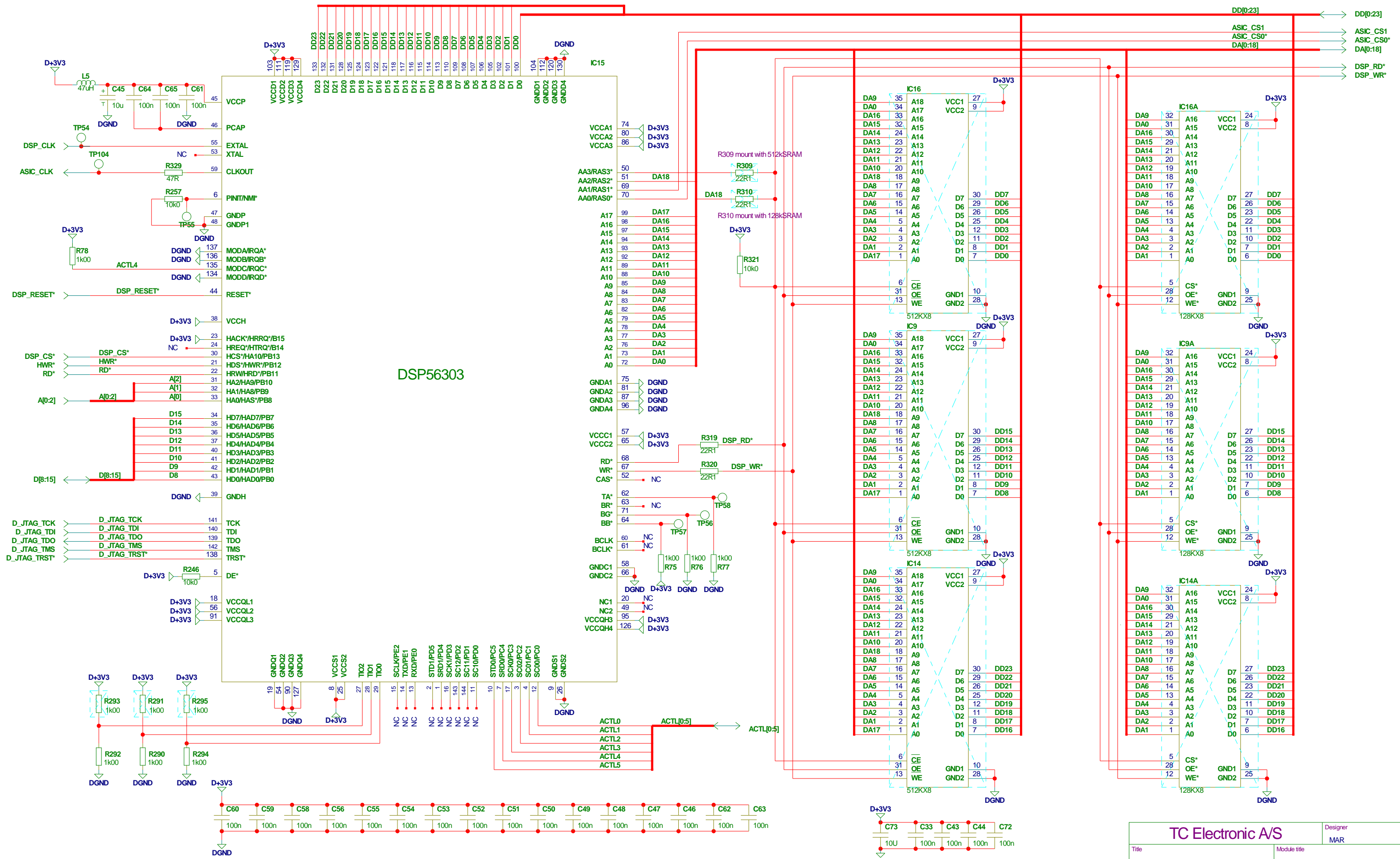
ADAT
OPTO IN

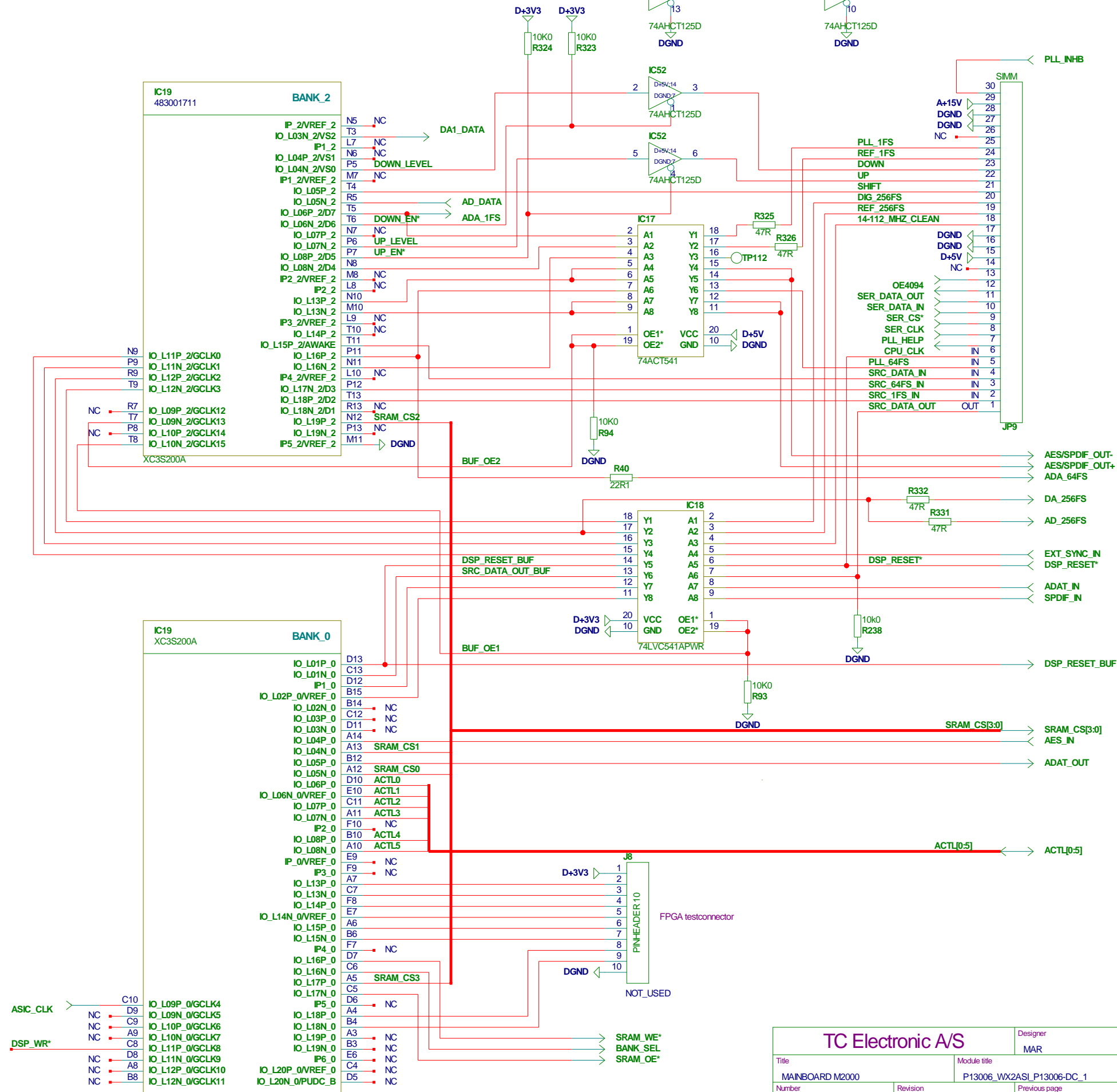
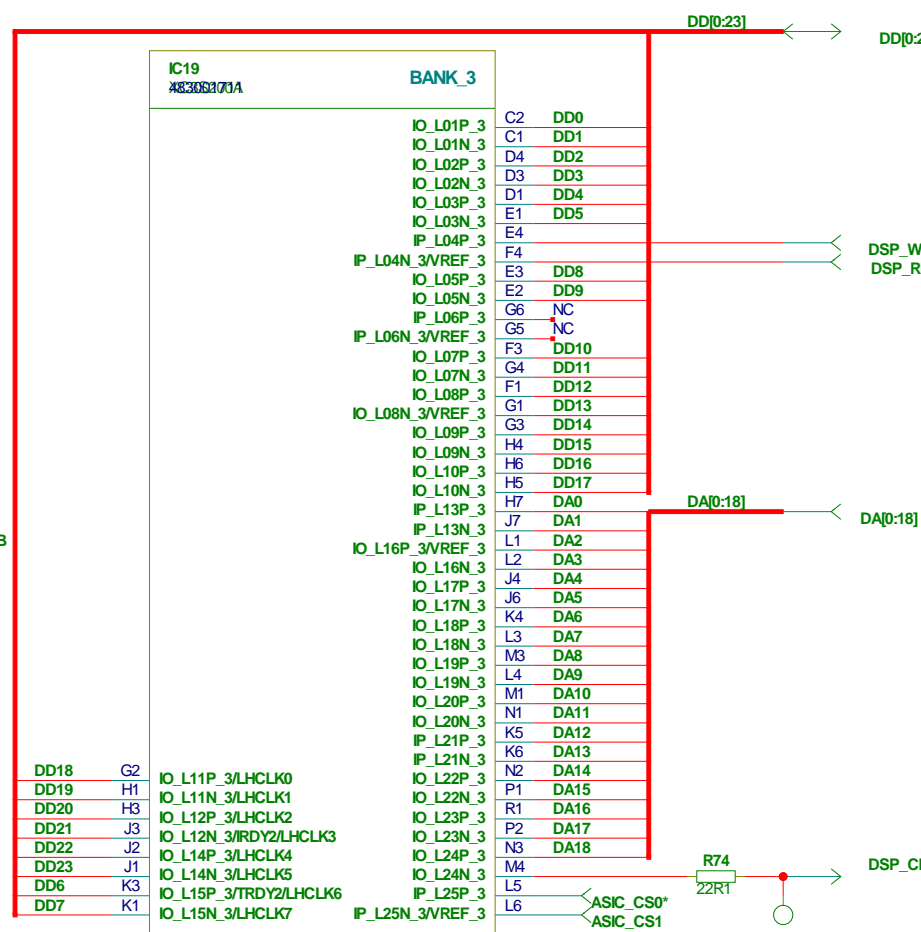
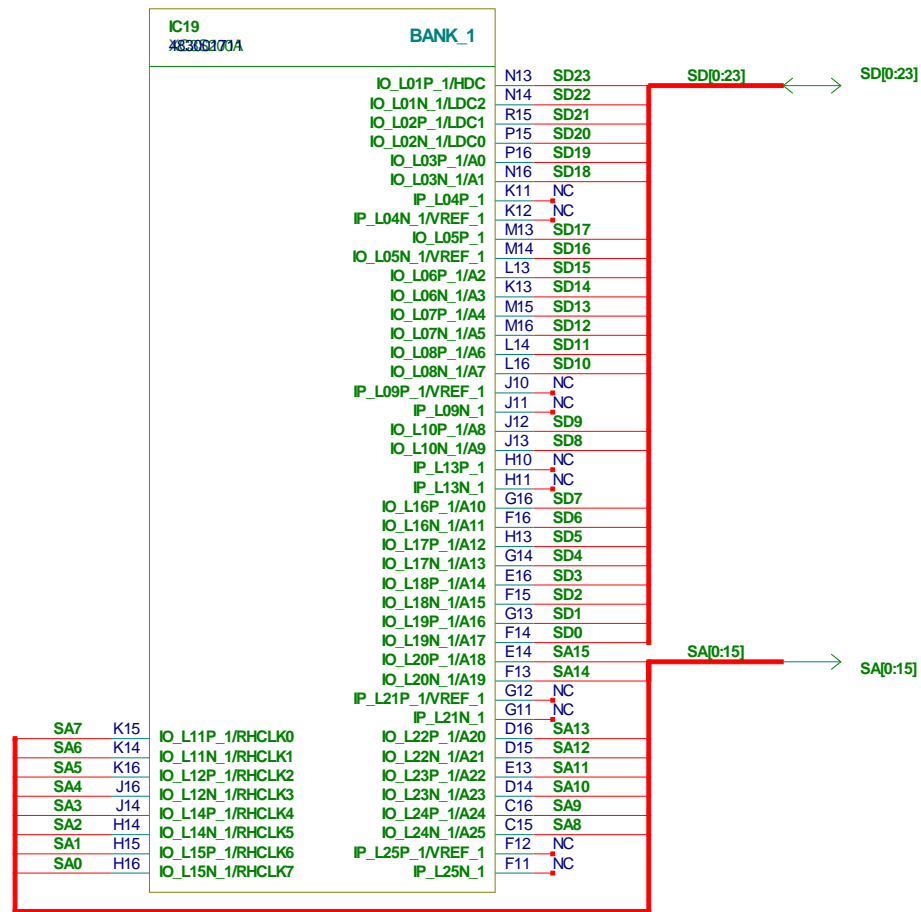
SYNC IN

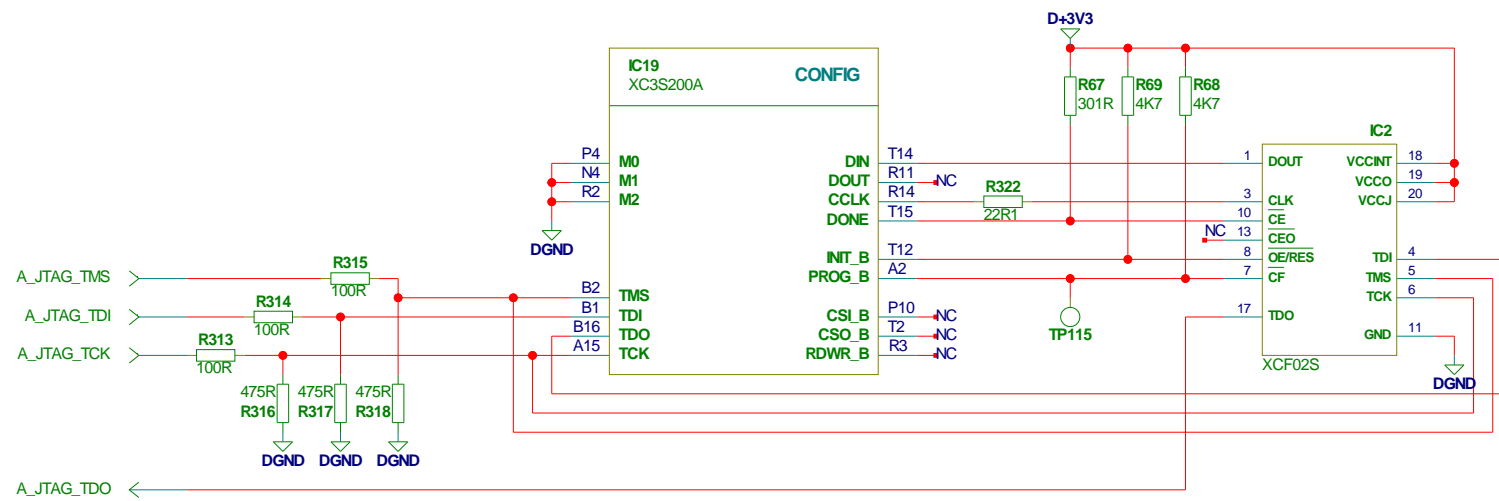
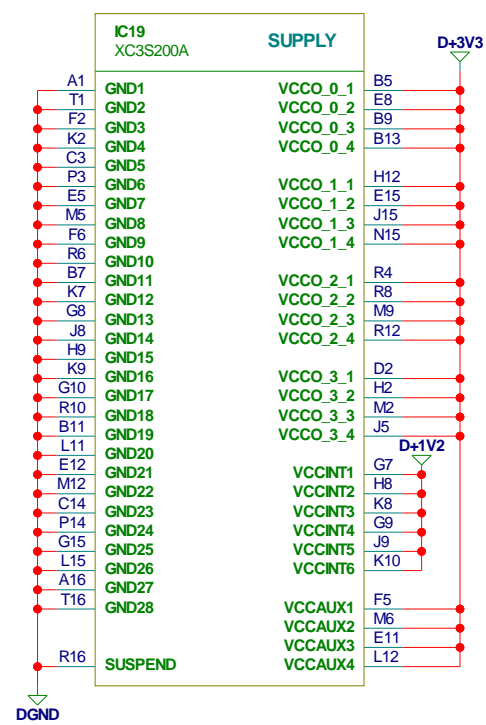
TC Electronic A/S		Designer MAR
Title MAINBOARD M2000		Module title P13006_WX2DGL_P13006_DC_1
Number P13006	Revision DCC	Previous page 1
Date 18-4-2011_14:31	Filenam	Page / of 8 / 15

512k SRAM option

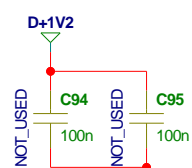
128k SRAM option



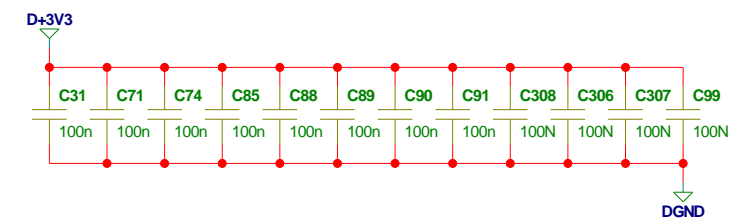
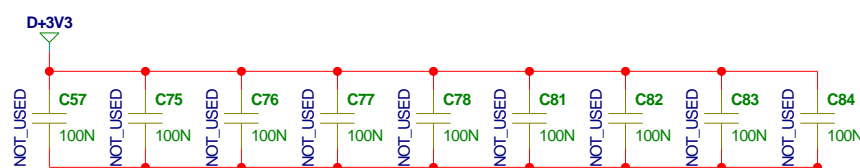
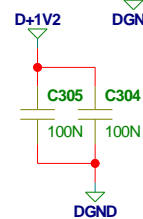




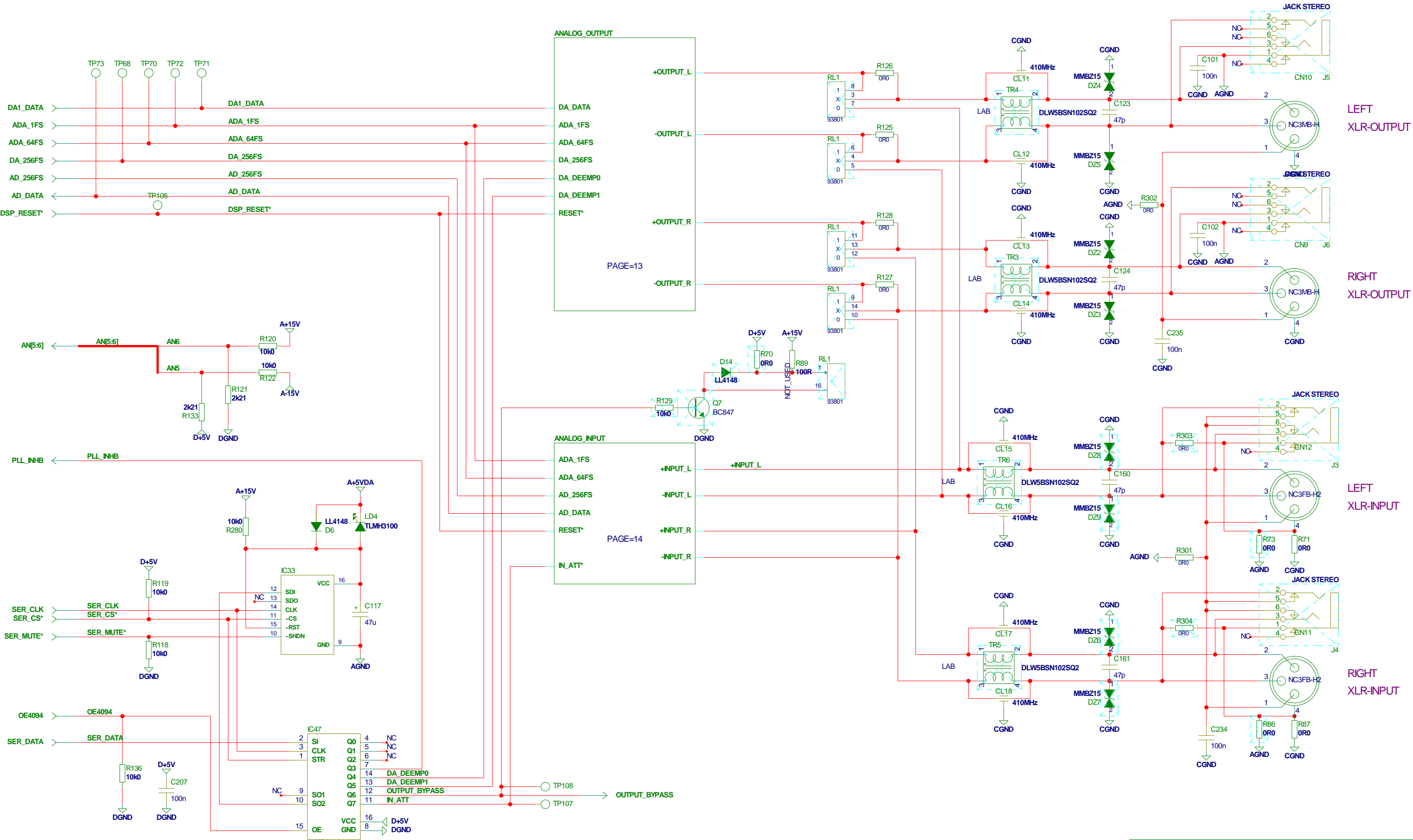
Mounted on bottom



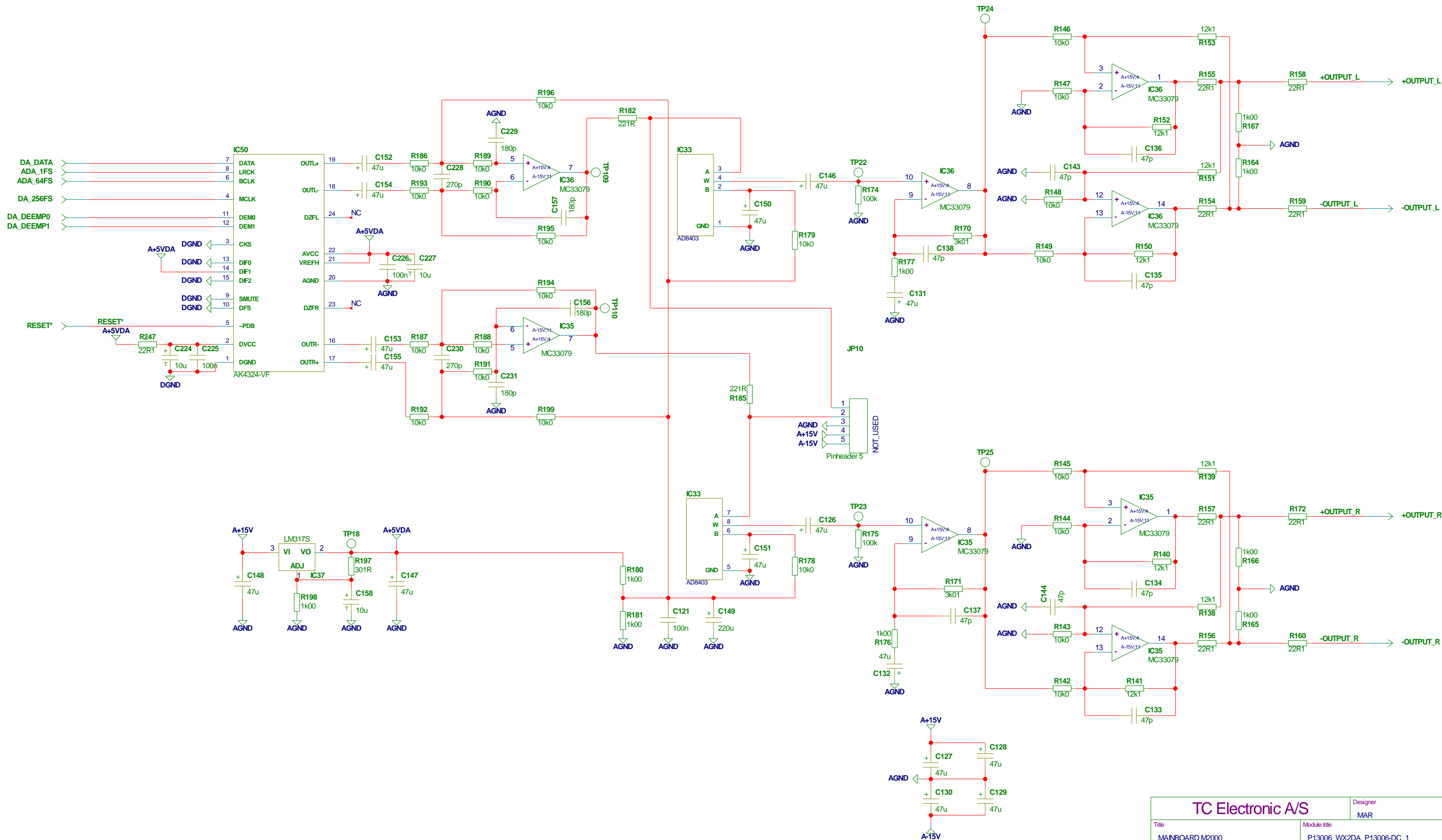
Mounted on top



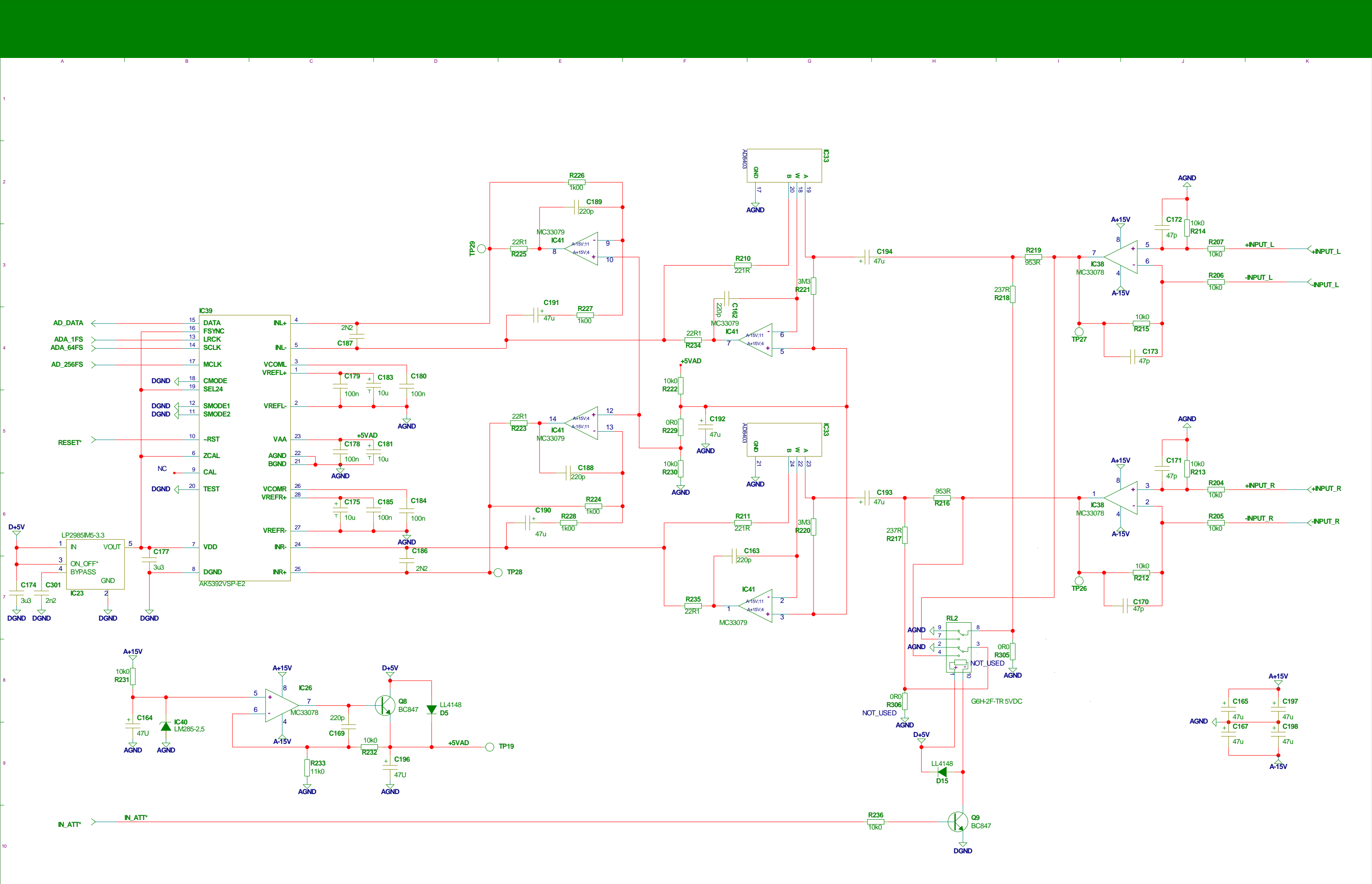
TC Electronic A/S		Designer MAR
Title MAINBOARD M2000	Module title P13006_WX2ASI_P13006-DC_1	
Number P13006	Revision DCC	Previous page 1
Date 18-4-2011_14:32	Filename	Page / of 11 / 15



TC Electronic A/S		Designer MAR
Title MAINBOARD M2000	Module title P13006_WX2ADA_P13006-DC_1	
Number P13006	Revision DCC	Previous page 1
Date 18-4-2011 14:32	Filename	Page / of 12 / 15



TC Electronic A/S		Designer
Title		MAR
MAINBOARD M2000		Module title
P13006		P13006_WX2DA_P13006-DC_1
Number	Revision	Previous page
P13006	DCC	12
Date	Filename	Page / of
18-4-2011 14:33		13 / 15



TC Electronic A/S		Designer MAR
Title MAINBOARD M2000	Module title P13006_WX2AD_P13006-DC_1	
Number P13006	Revision DCC	Previous page 12
Date 18-4-2011 14:33	Filename	Page / of 14 / 15

