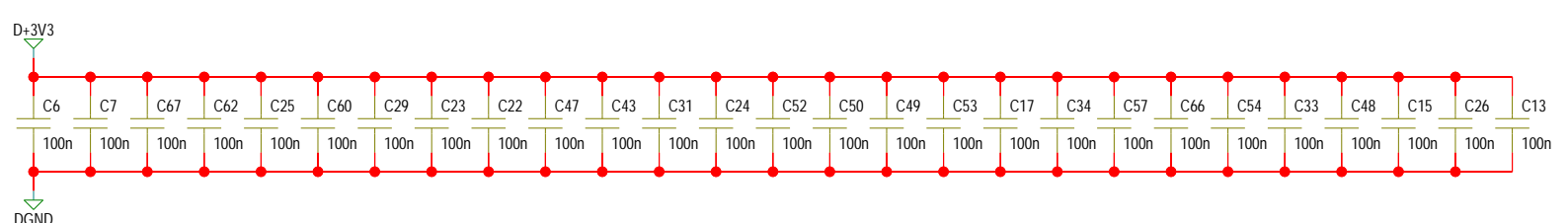
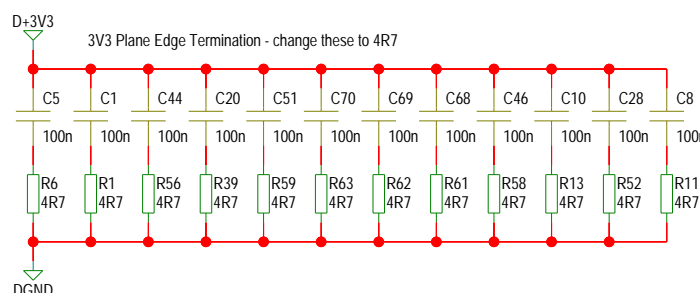
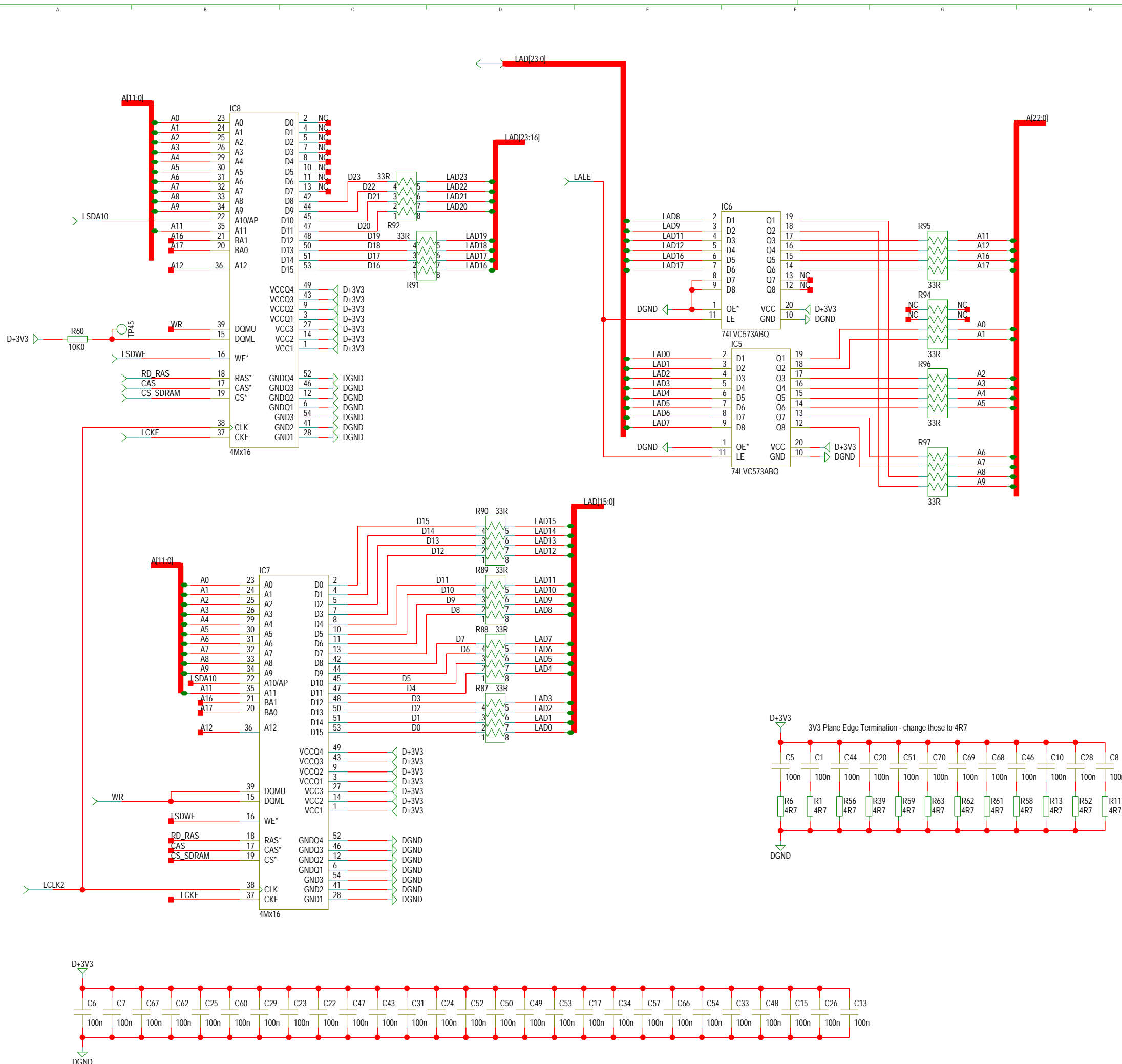
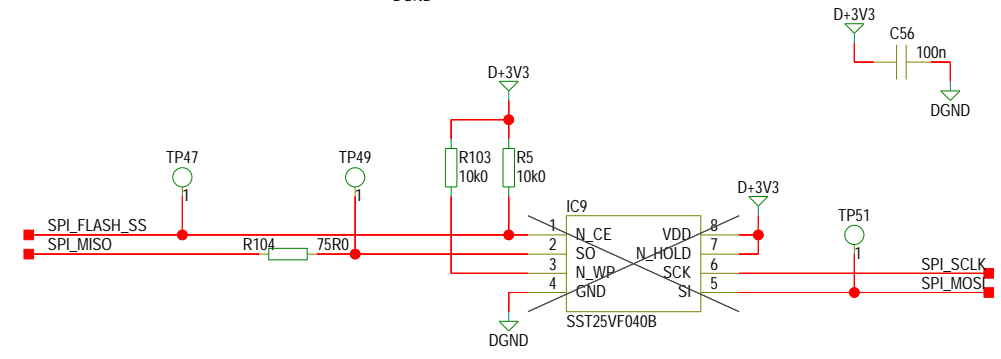
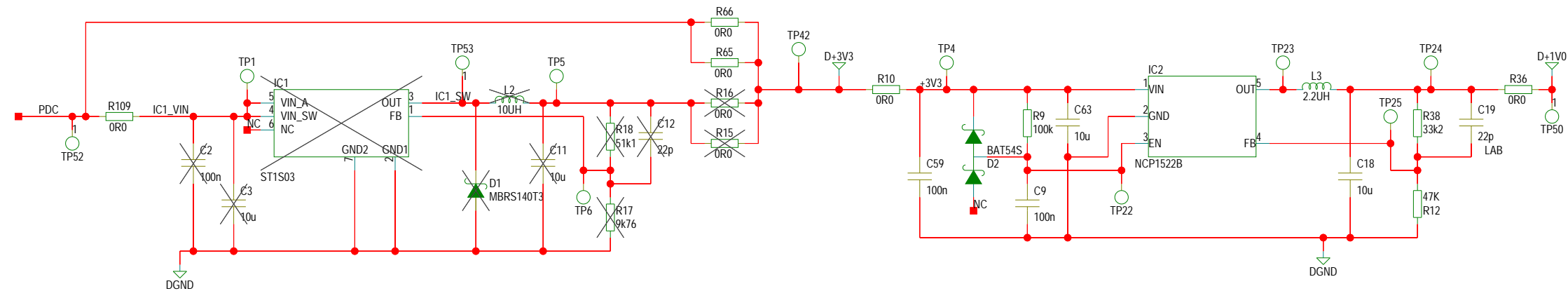


M1
P22610-C

tc electronic a/s				Designer(s) JDA
Title 1309-HERON				Module title MODULE TITLE
Number P22610	Revision C	Variant A	Version A	Board type DSP_CARD
Date 16-06-2015_10:19	Filename p22625-F			Page / of 1 / 4



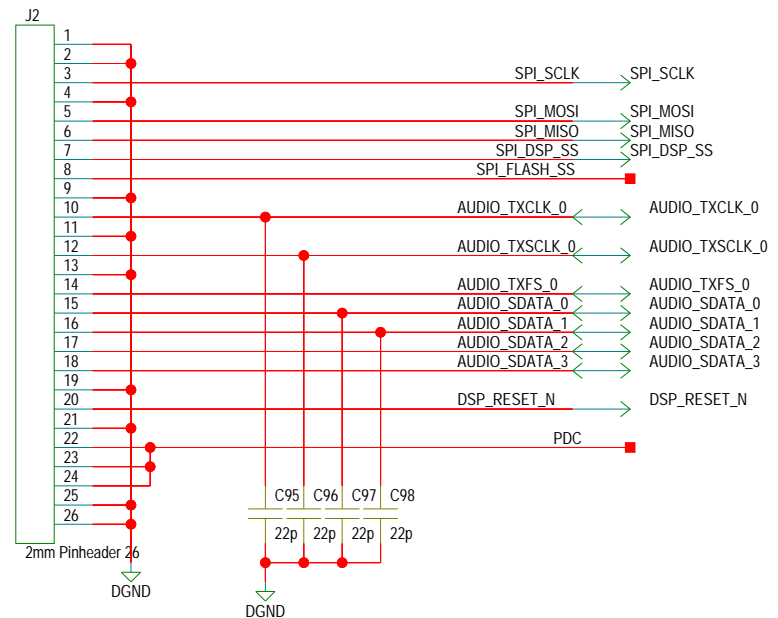
tc electronic a/s				Designer(s)	JDA
Title 1309-HERON				Module title MODULE TITLE	
Number P22610	Revision C	Variant A	Version A	Board type DSP_CARD	
Date 16-06-2015_10:19	Filename memory			Page / of 1 / 4	



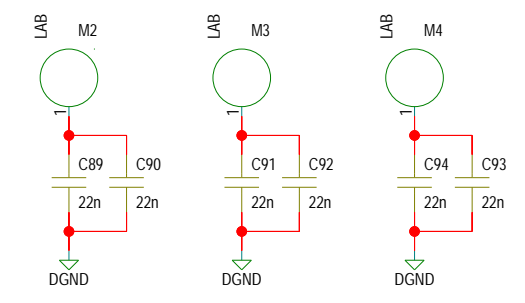
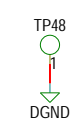
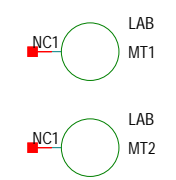
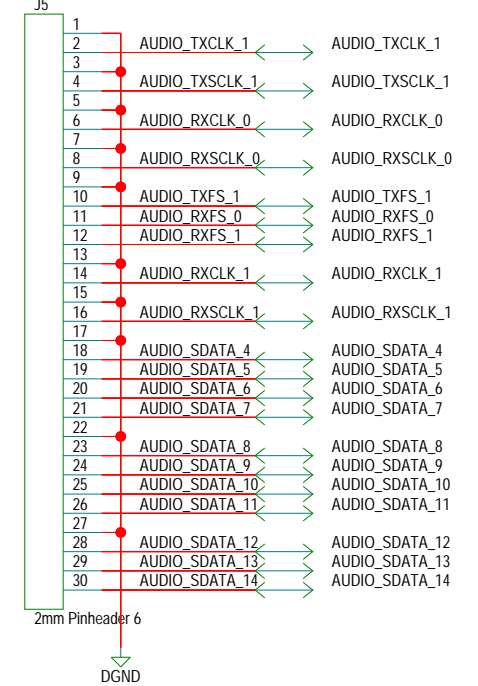
OPTION FOR DSP SELF BOOT AS MASTER

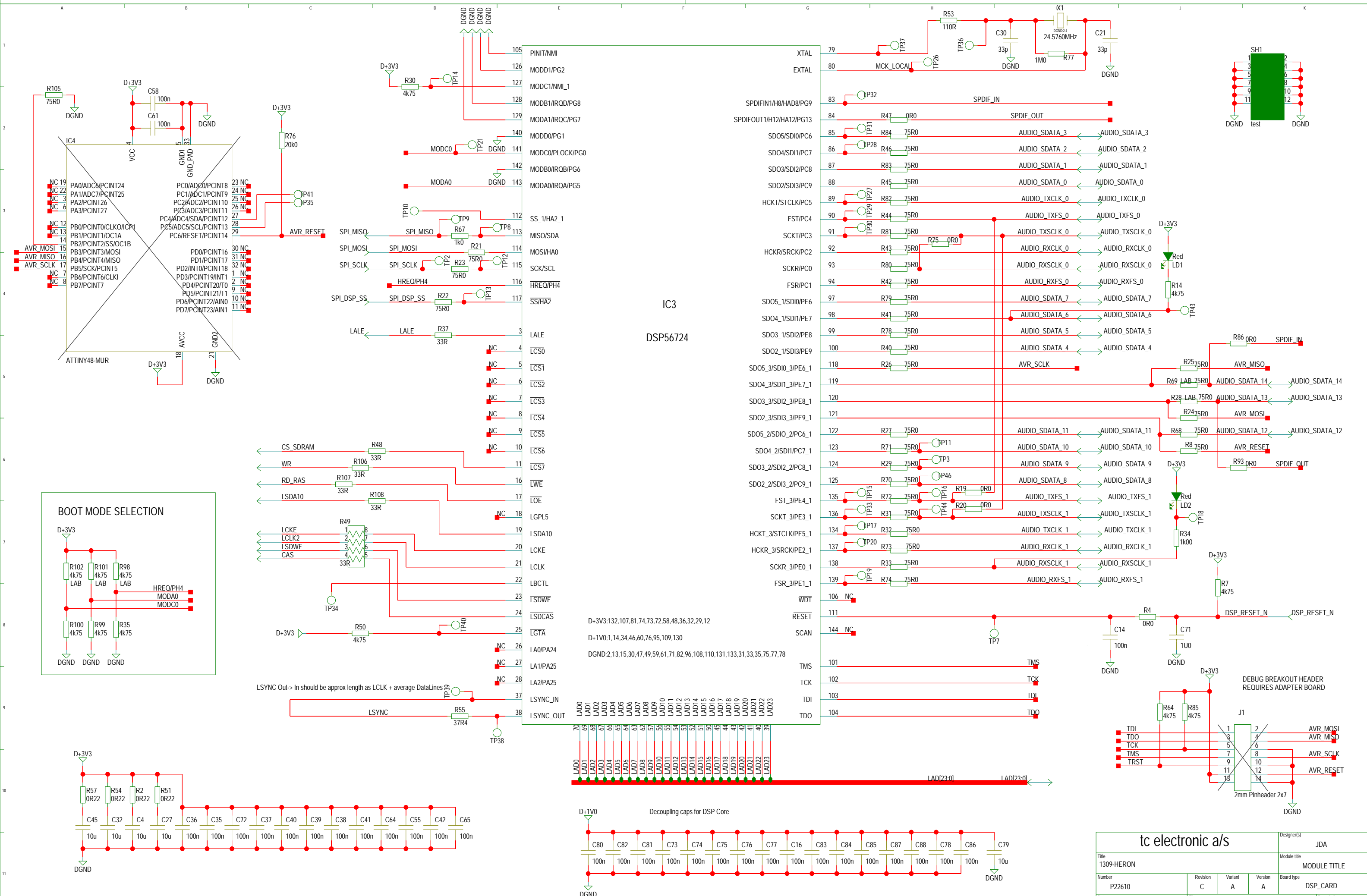


MAIN CONNECTOR



Populate 6-Pin Header in the center of J5 PCB land pattern





tc electronic a/s				Designer(s)	JDA
Title	1309-HERON			Module title	MODULE TITLE
Number	P22610	Revision	C	Variant	A
Date	16-06-2015_10:19	Version	A	Board type	DSP_CARD
Filename	dsp720			Page	1 / 4