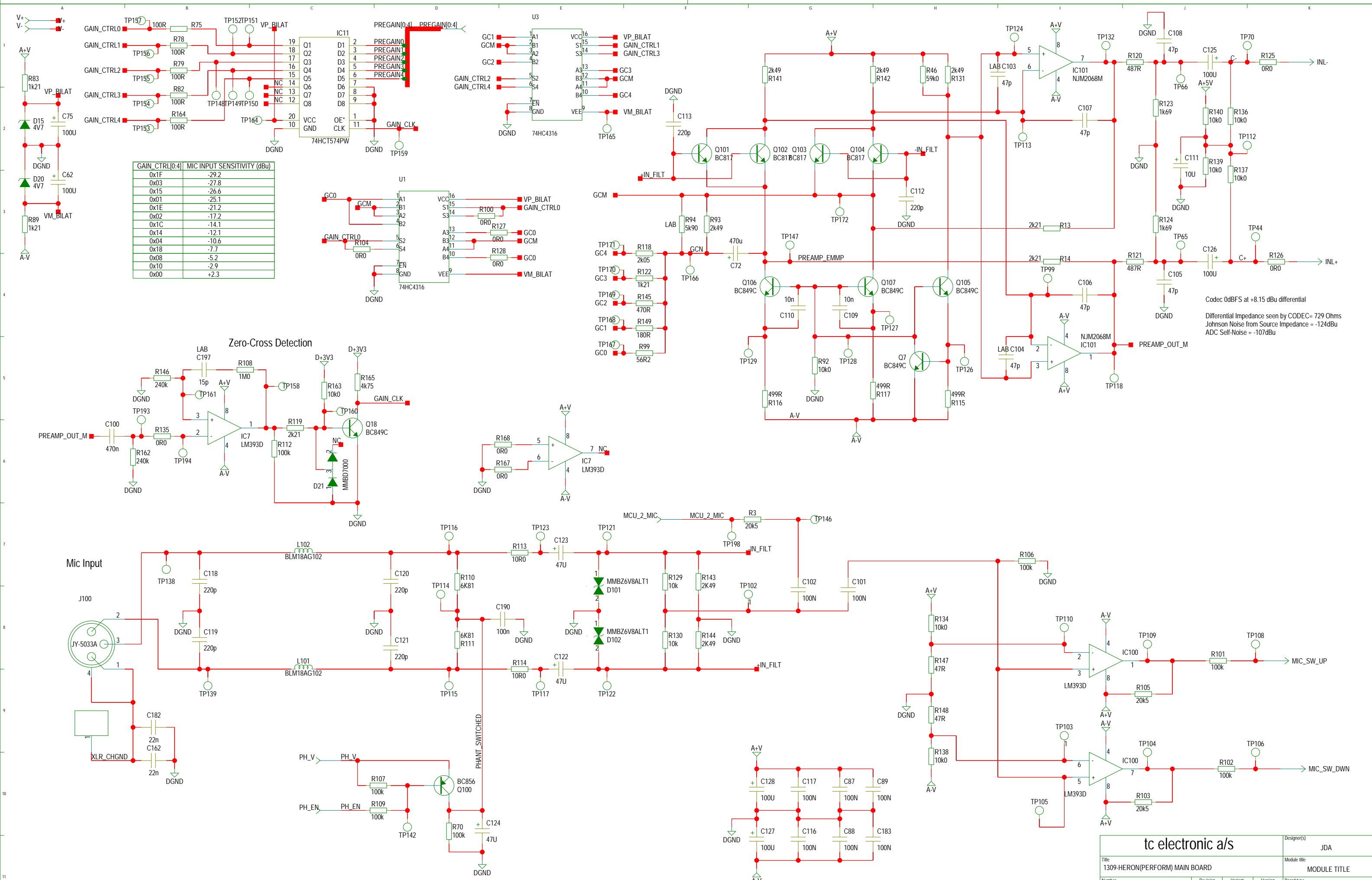


M1
P22632-C

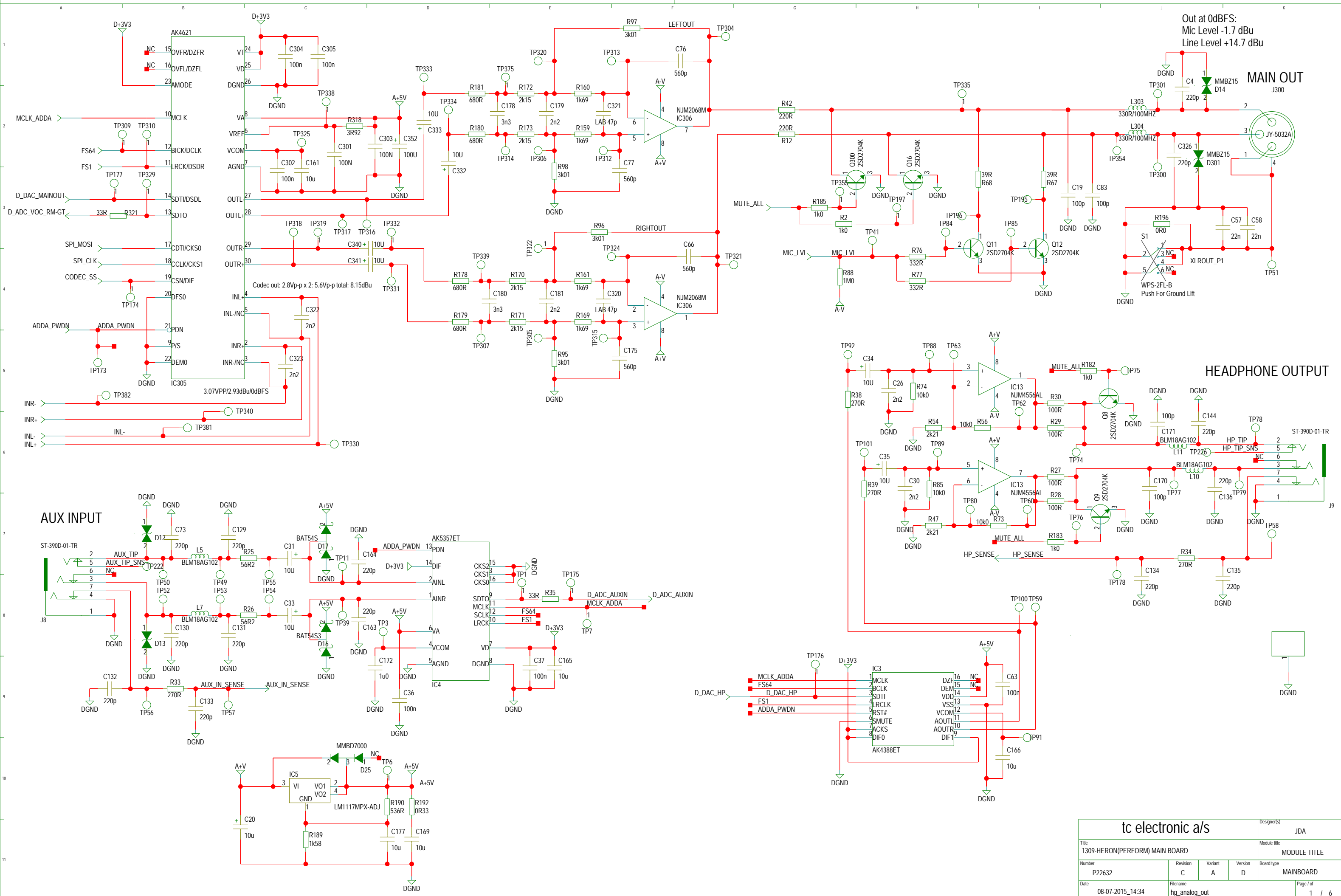
tc electronic a/s				Designer(s) JDA
Title 1309-HERON(PERFORM) MAIN BOARD				Module title MODULE TITLE
Number P22632	Revision C	Variant A	Version D	Board type MAINBOARD
Date 08-07-2015_14:34	Filename P22632-B	Page / of 1 / 6		



GAIN_CTRL[0:4]	MIC INPUT SENSITIVITY (dBu)
0x1F	-29.2
0x03	-27.8
0x15	-26.6
0x01	-25.1
0x1E	-21.2
0x02	-17.2
0x1C	-14.1
0x14	-12.1
0x04	-10.6
0x18	-7.7
0x08	-5.2
0x10	-2.9
0x00	+2.3

Codec: 0dBFS at +8.15 dBu differential
Differential Impedance seen by CODEC= 729 Ohms
Johnson Noise from Source Impedance = -124dBu
ADC Self-Noise = -107dBu

tc electronic a/s				Designer(s)	JDA
Title: 1309-HERON(PERFORM) MAIN BOARD				Module title: MODULE TITLE	
Number: P22632	Revision: C	Variant: A	Version: D	Board type: MAINBOARD	
Date: 08-07-2015_14:34	Filename: Mic_Input			Page / of: 1 / 6	



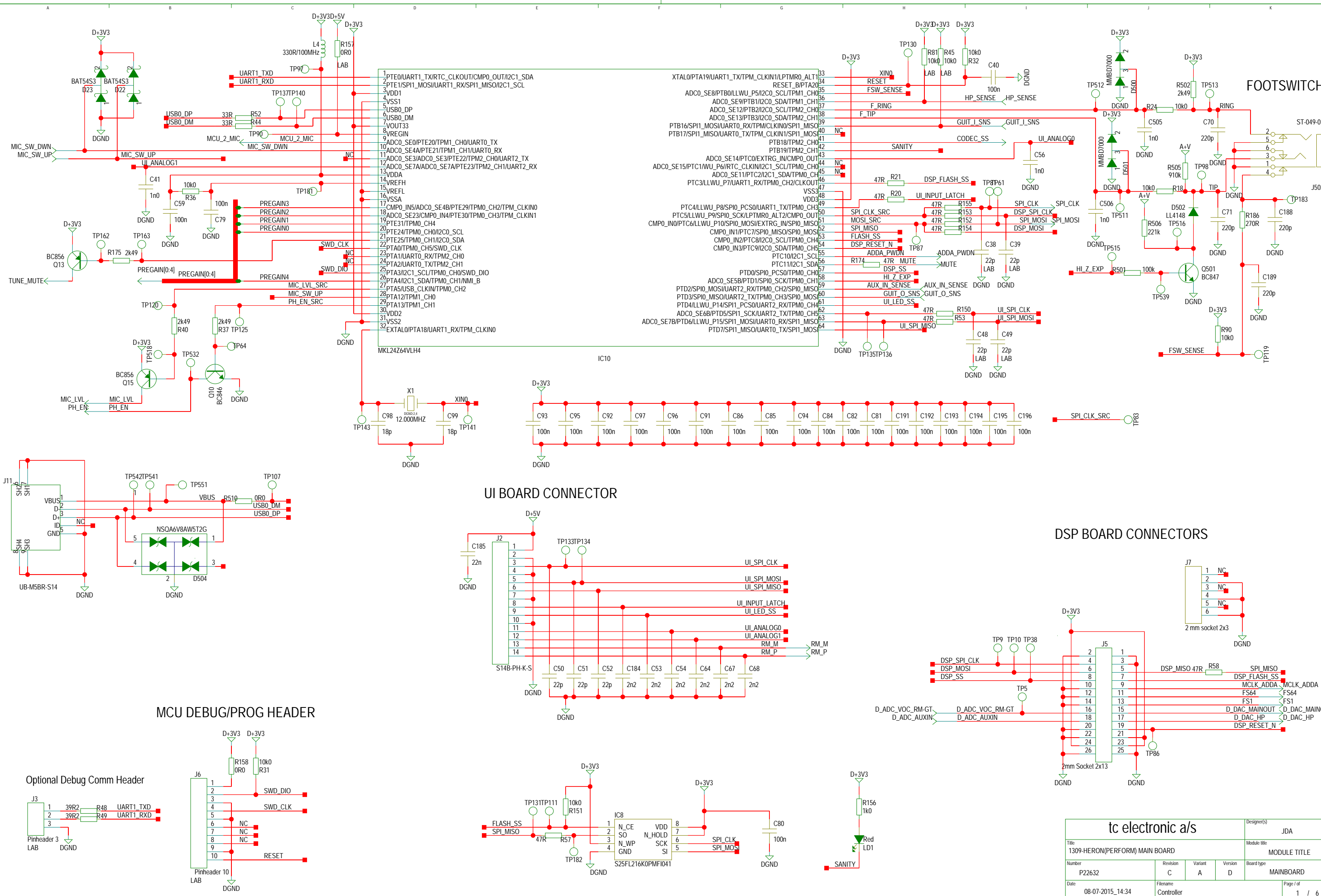
Out at OdBFS:
Mic Level -1.7 dBu
Line Level +14.7 dBu

MAIN OUT
J300

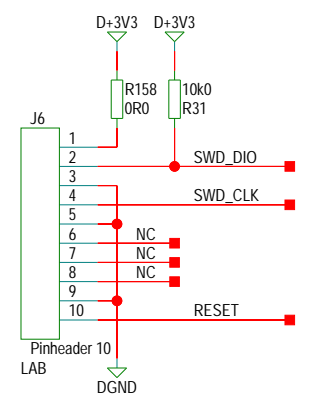
HEADPHONE OUTPUT

AUX INPUT

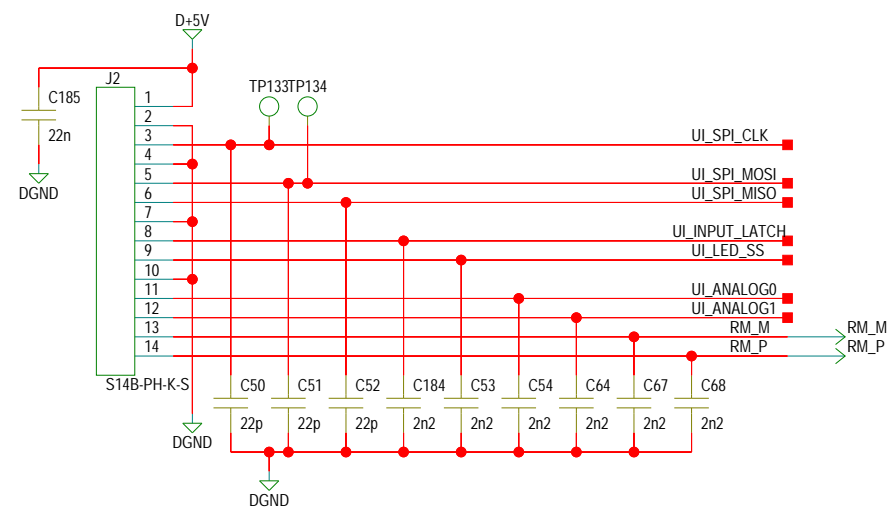
tc electronic a/s				Designer(s) JDA
Title 1309-HERON(PERFORM) MAIN BOARD				Module title MODULE TITLE
Number P22632	Revision C	Variant A	Version D	Board type MAINBOARD
Date 08-07-2015_14:34	Filename hg_analog_out	Page / of 1 / 6		



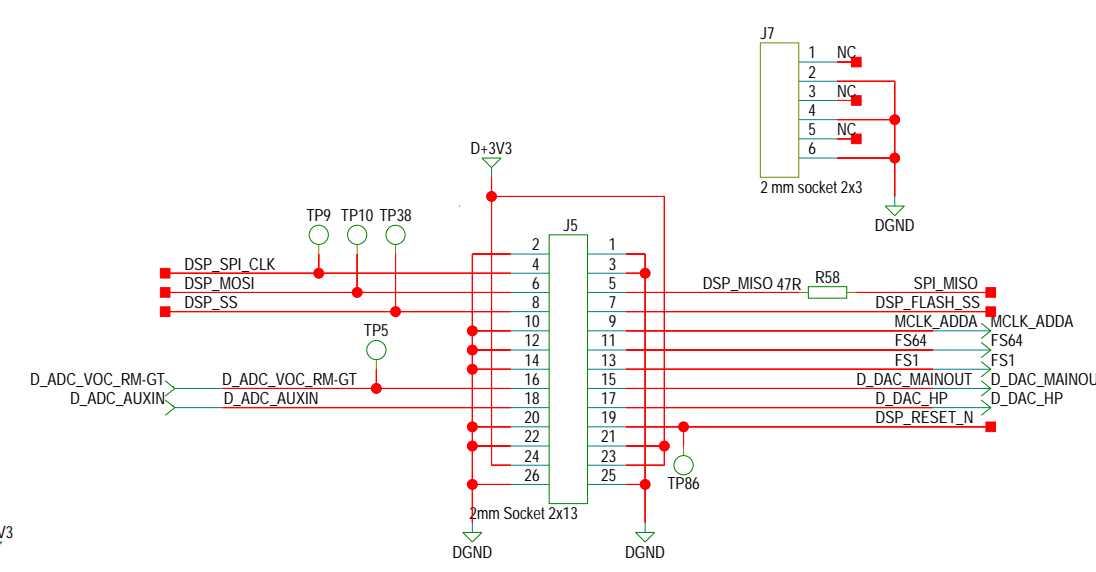
MCU DEBUG/PROG HEADER



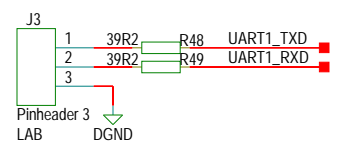
UI BOARD CONNECTOR



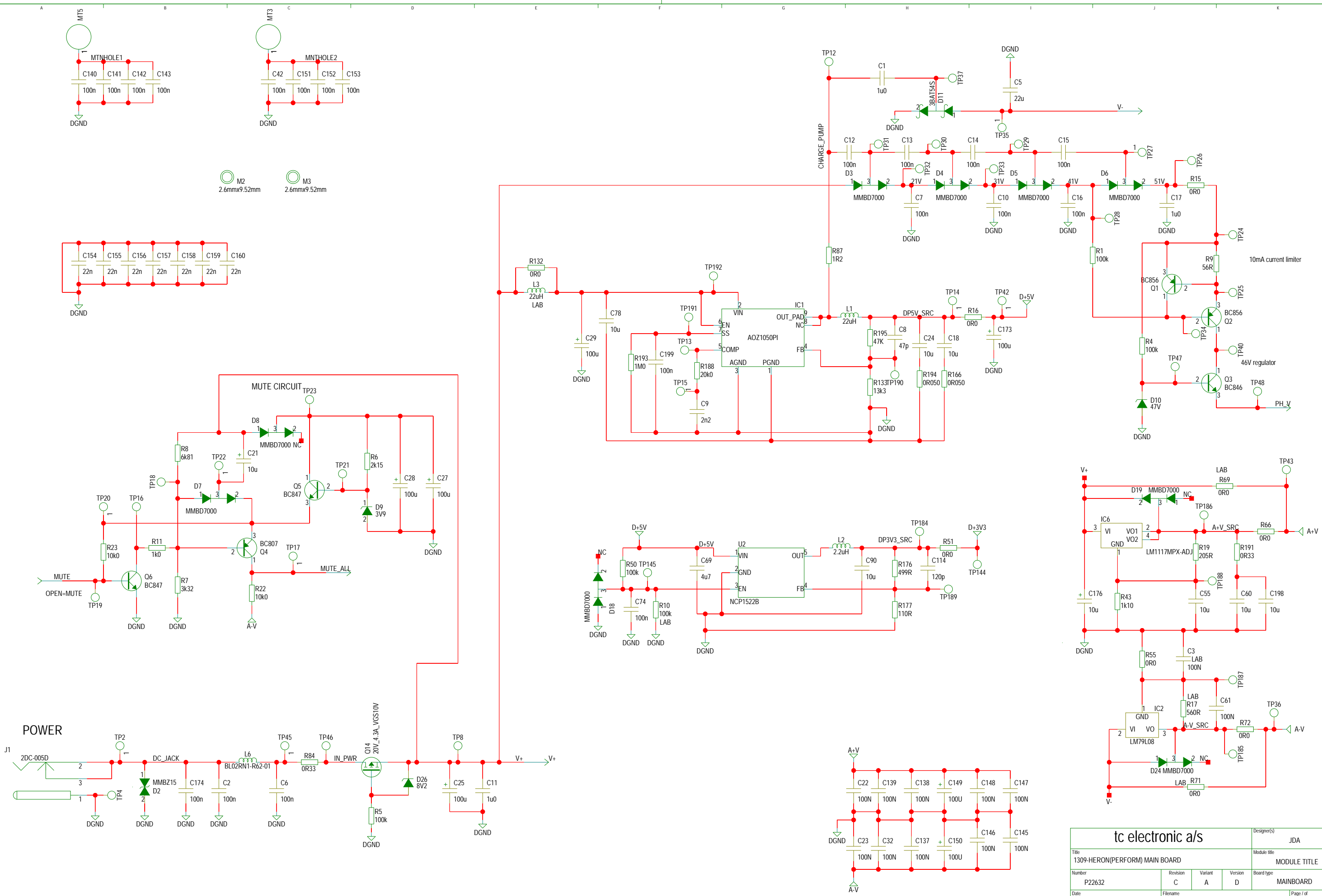
DSP BOARD CONNECTORS



Optional Debug Comm Header



tc electronic a/s				Designer(s) JDA
Title 1309-HERON(PERFORM) MAIN BOARD				Module title MODULE TITLE
Number P22632	Revision C	Variant A	Version D	Board type MAINBOARD
Date 08-07-2015_14:34	Filename Controller			Page / of 1 / 6



tc electronic a/s				Designer(s) JDA
Title 1309-HERON(PERFORM) MAIN BOARD				Module title MODULE TITLE
Number P22632	Revision C	Variant A	Version D	Board type MAINBOARD
Date 08-07-2015_14:34	Filename Power	Page / of 1 / 6		