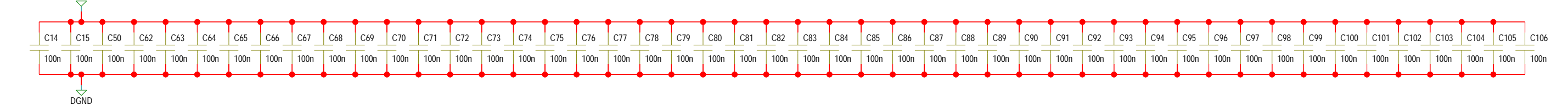
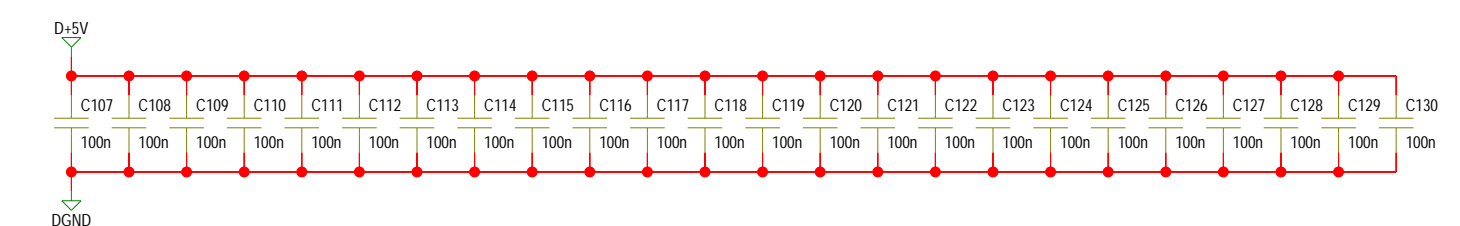
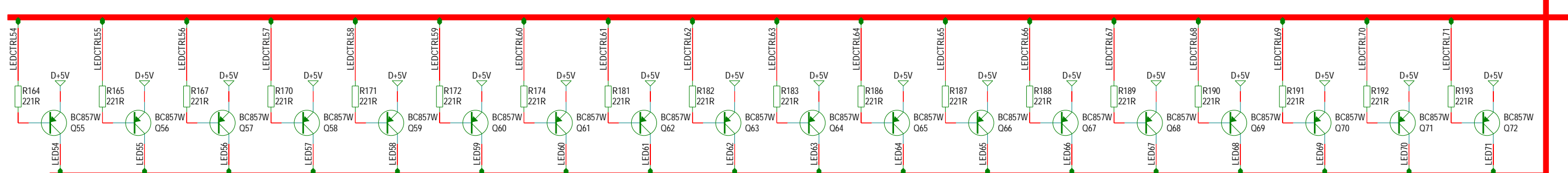
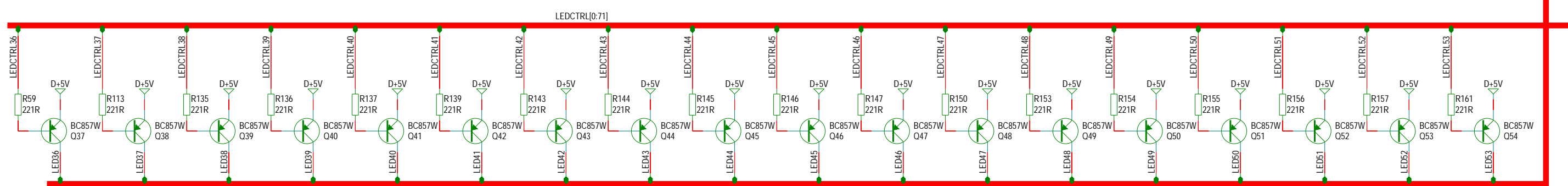
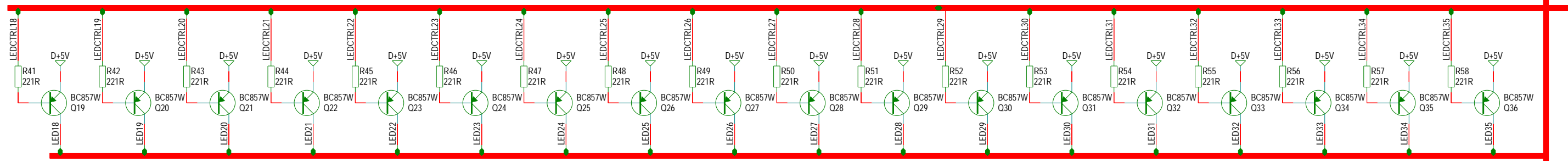
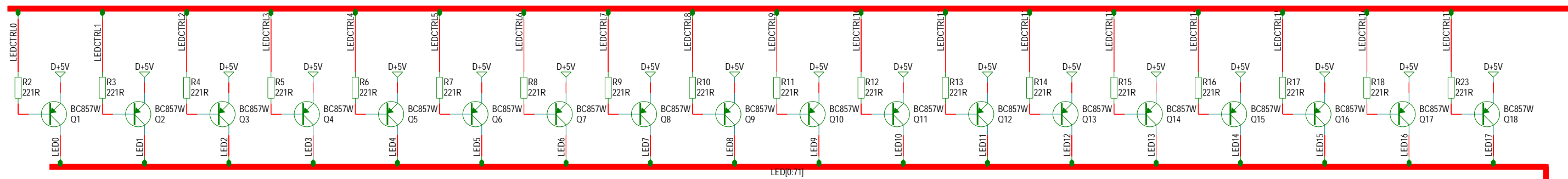


Place these caps as close to the connector pins as possible.
Use thick traces from the connector pins to the caps.
At least one GND via per cap

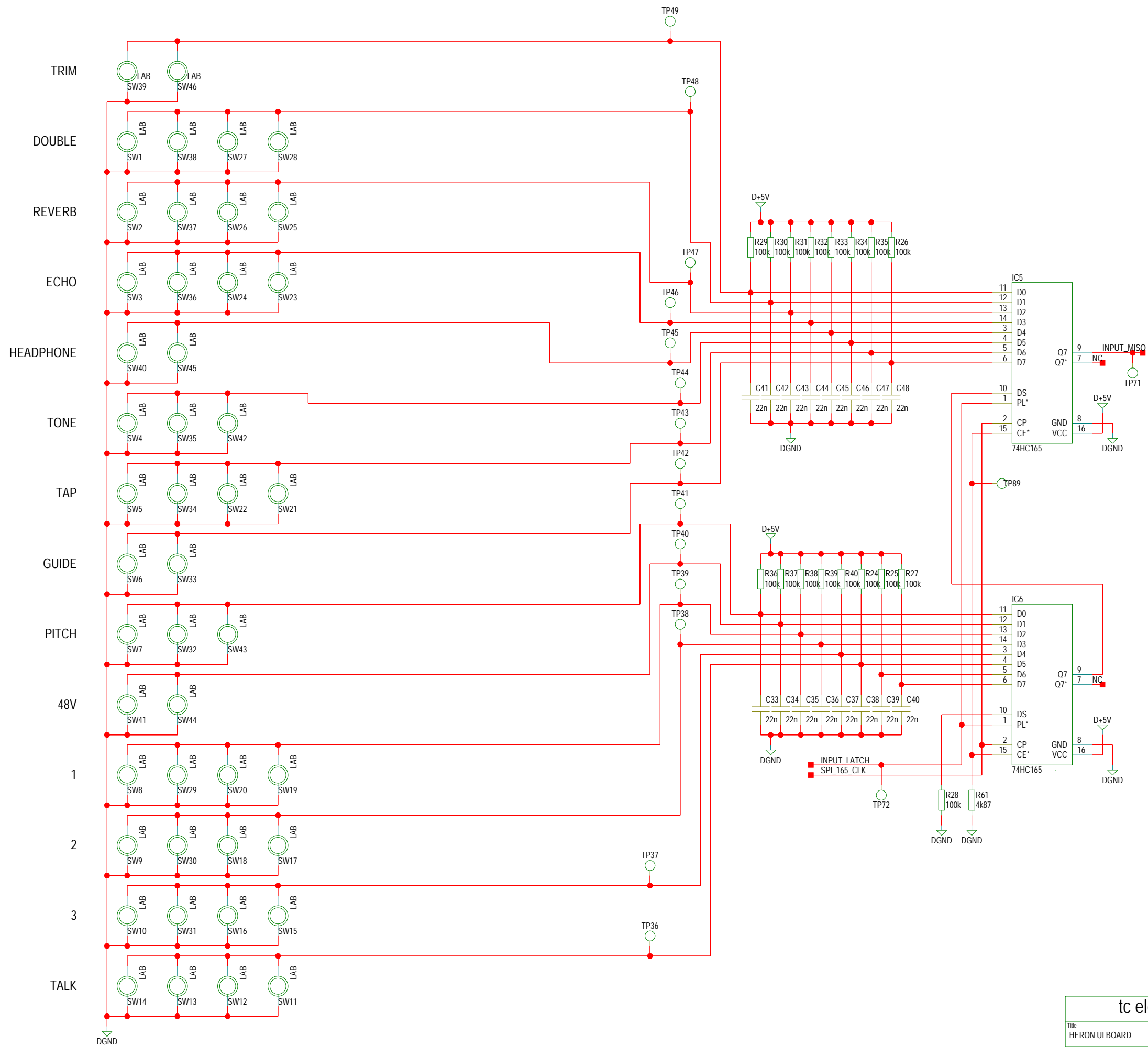
tc electronic a/s				Designer(s)	DA
Title HERON UI BOARD				Module title MODULE TITLE	
Number P22633	Revision C	Variant A	Version C	Board type UI BOARD	
Date 25-06-2015_11:53	Filename p22677-B			Page / of 1 / 4	



tc electronic a/s				Designer(s)	DA
HERON UI BOARD				Module title	MODULE TITLE
Number	Revision	Variant	Version	Board type	UI BOARD
P22633	C	A	C		
Date	Filename	Page / of			1 / 4
25-06-2015_11:53	p22633				



tc electronic a/s				Designer(s) DA
Title HERON UI BOARD				Module title MODULE TITLE
Number P22633	Revision C	Variant A	Version C	Board type UI BOARD
Date 25-06-2015_11:53	Filename p22677-E			Page / of 1 / 4



tc electronic a/s				Designer(s)	DA
HERON UI BOARD				Module title	MODULE TITLE
Number	Revision	Variant	Version	Board type	UI BOARD
P22633	C	A	C		
Date	Filename			Page / of	1 / 4
25-06-2015_11:53	p22677-E				