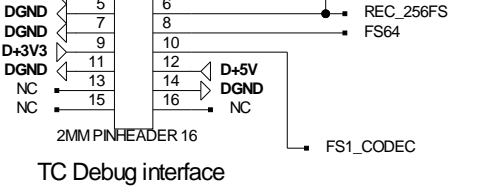
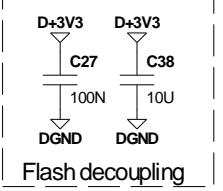
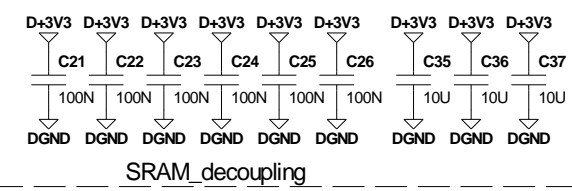
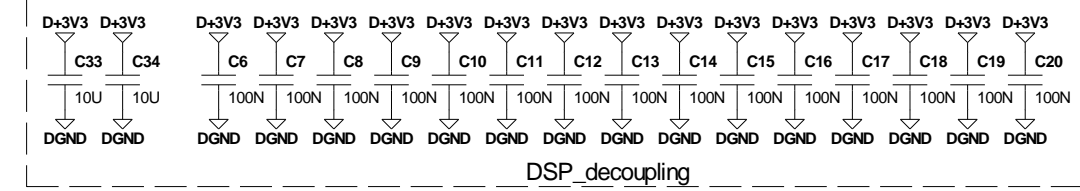
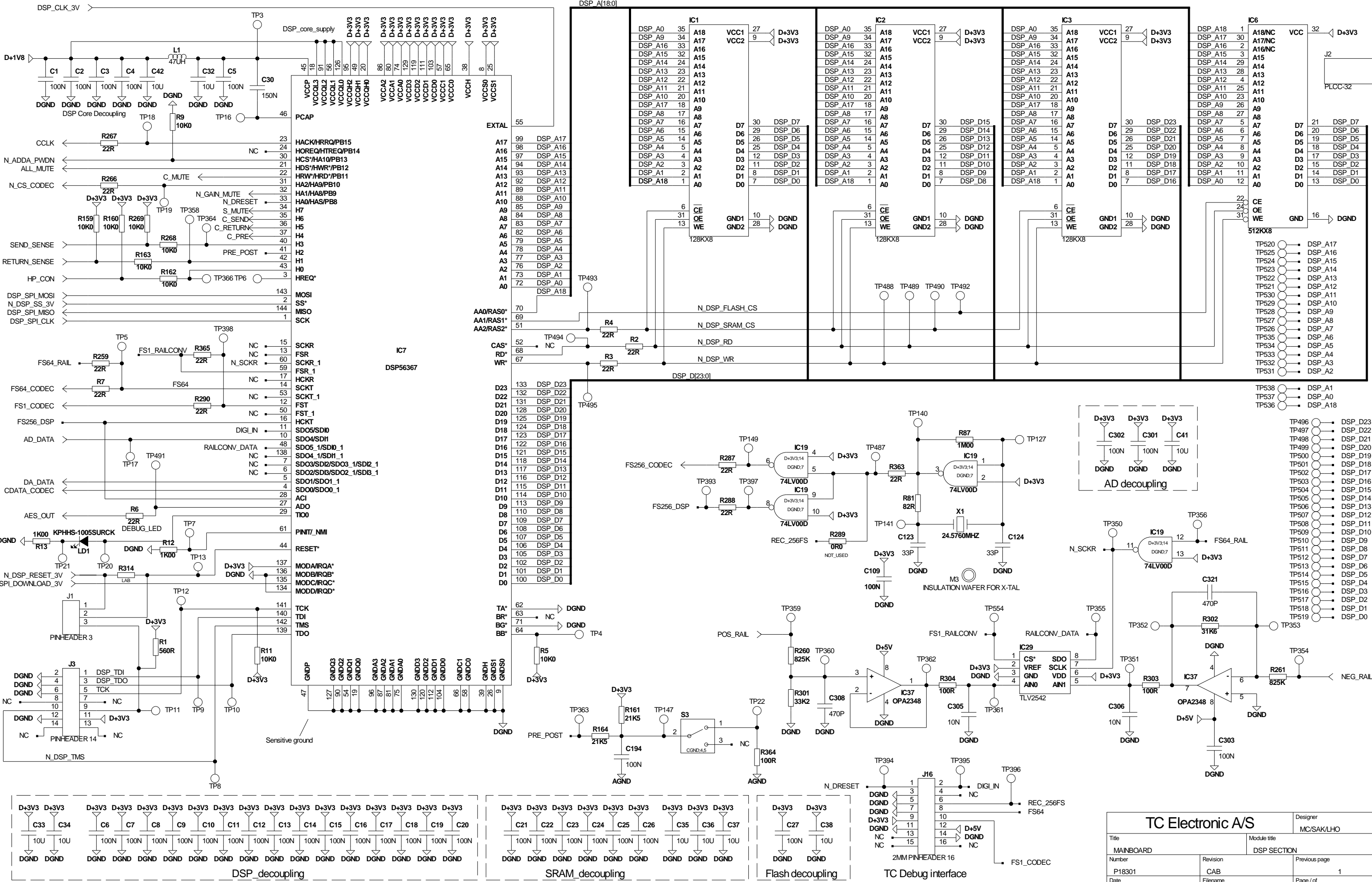
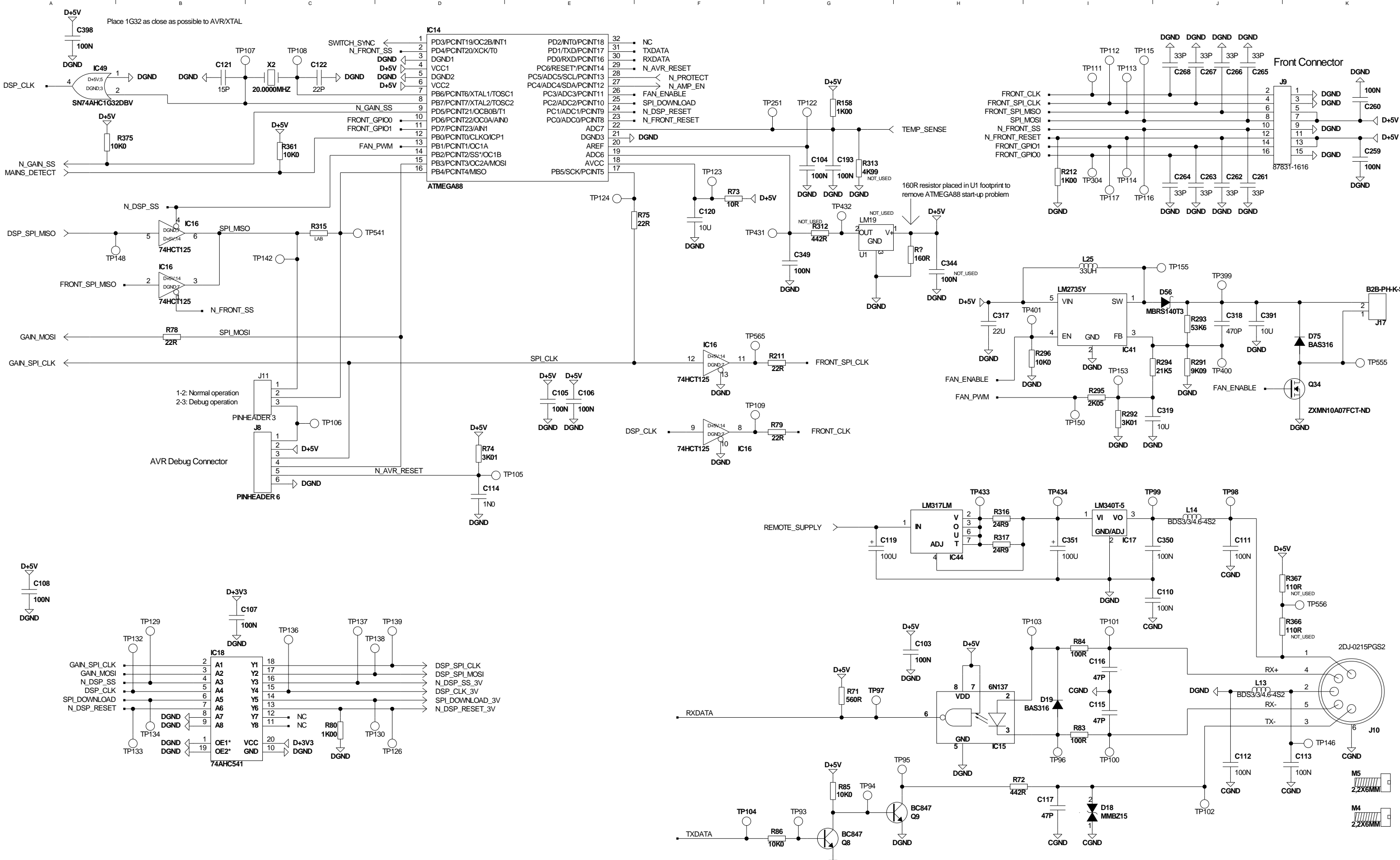


M1
P18301-C

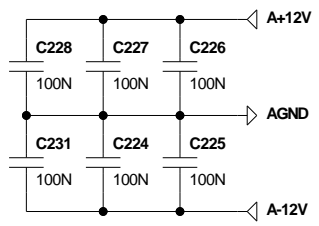
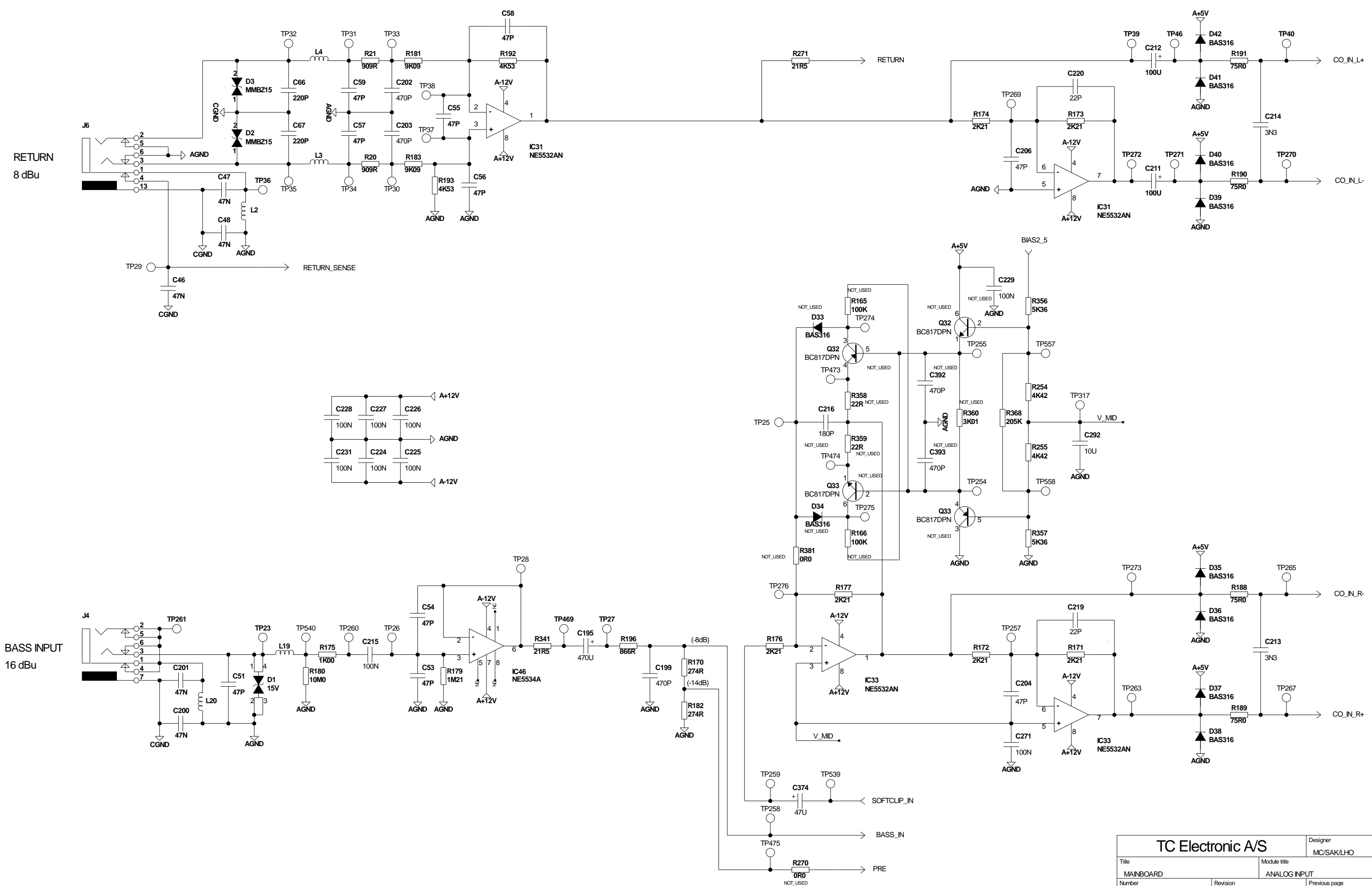
TC Electronic A/S		Designer MC/SAK/LHO
Title MAINBOARD		Module title TOP SHEET
Number P18301	Revision CAB	Previous page XX
Date 11-12-2008 14:43	Filename P18301_C	Page / of 1 / 8



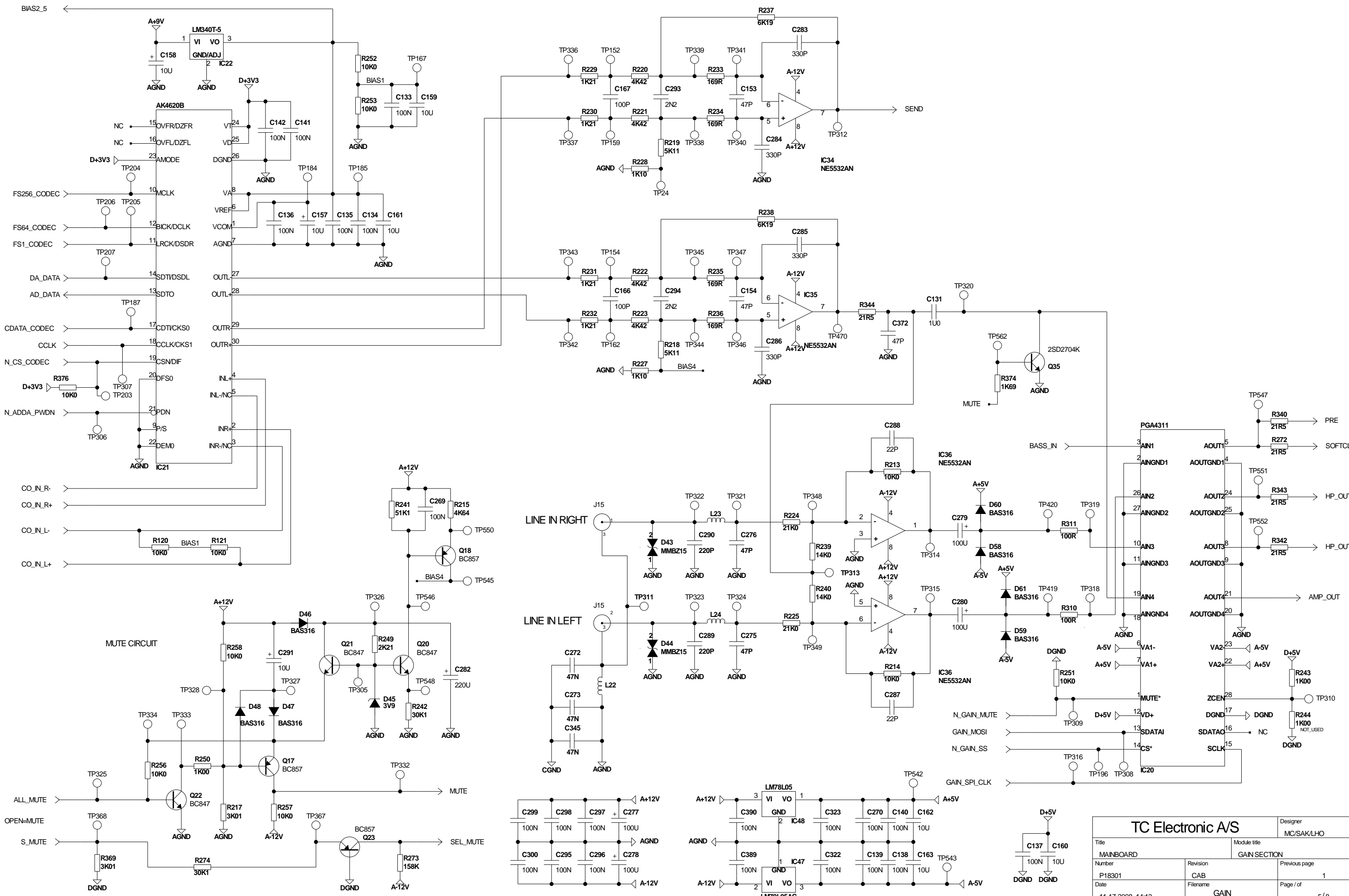
TC Electronic A/S		Designer
MC/SAK/LHO		
Title	MAINBOARD	Module title
Number	P18301	DSP SECTION
Revision	CAB	Previous page
Date	11-12-2008 14:43	Page / of
Filename	DSP	1
		2 / 8



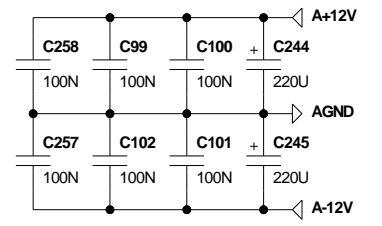
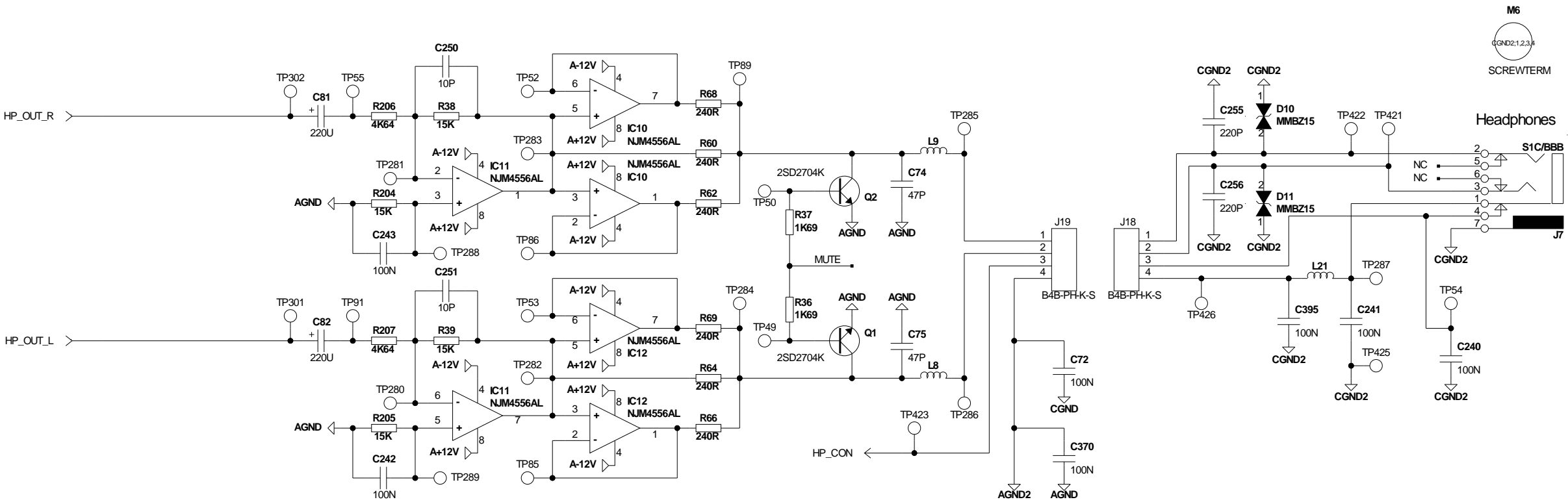
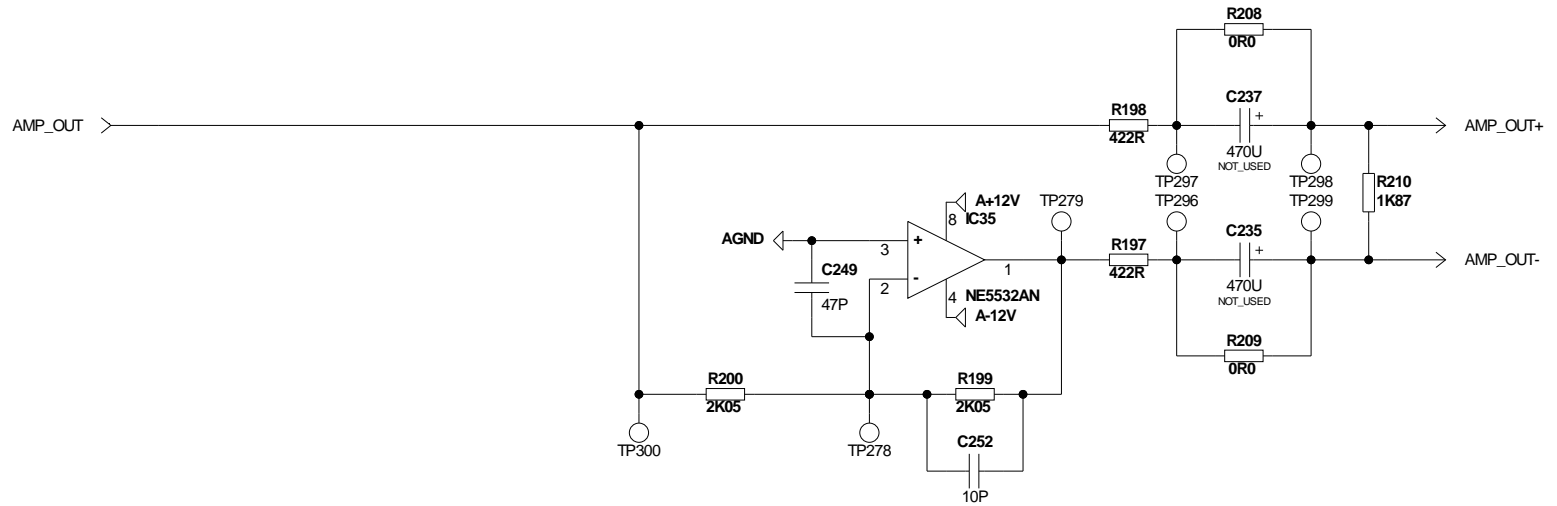
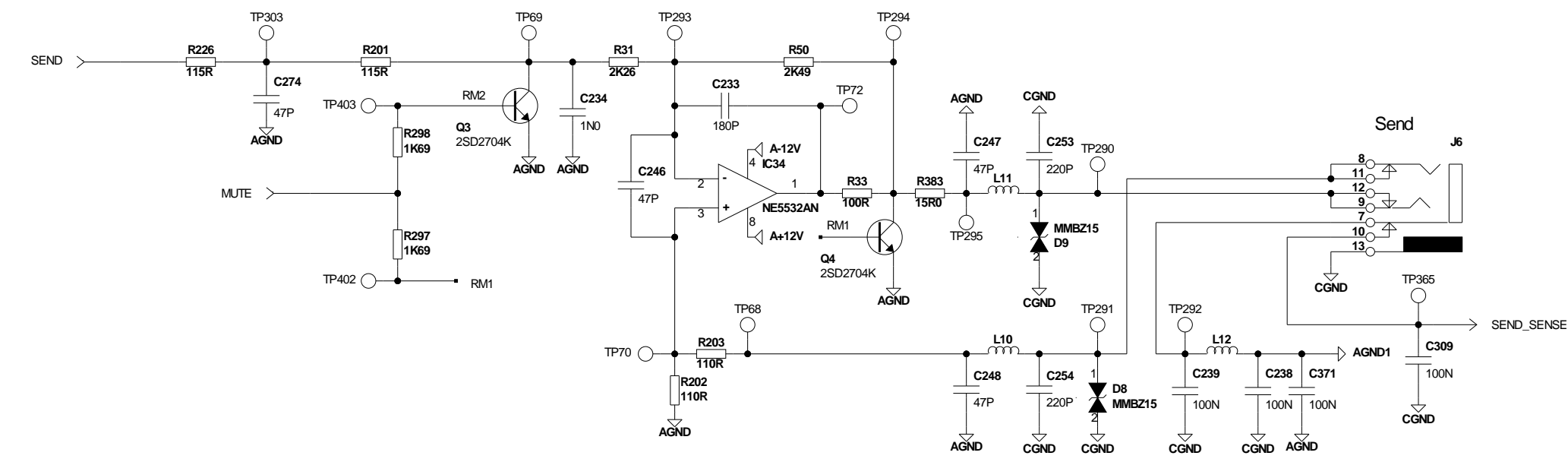
TC Electronic A/S		Designer MC/SAK/LHO
Title MAINBOARD	Module title CONTROL SECTION	
Number P18301	Revision CAB	Previous page 1
Date 12-3-2008_14:21	Filenam CONTROL	Page / of 3 / 8



TC Electronic A/S			Designer MC/SAK/LHO
Title MAINBOARD		Module title ANALOG INPUT	
Number P18301	Revision CAB	Previous page 1	
Date 1-30-2004_15:01	Filename TC_HEADER	Page / of 4 / 8	

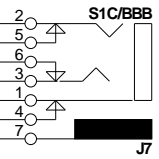


TC Electronic A/S		Designer	MC/SAK/LHO
Title	MAINBOARD	Module title	GAIN SECTION
Number	P18301	Revision	CAB
Date	11-17-2008 14:13	Filename	GAIN
		Previous page	1
		Page / of	5 / 8

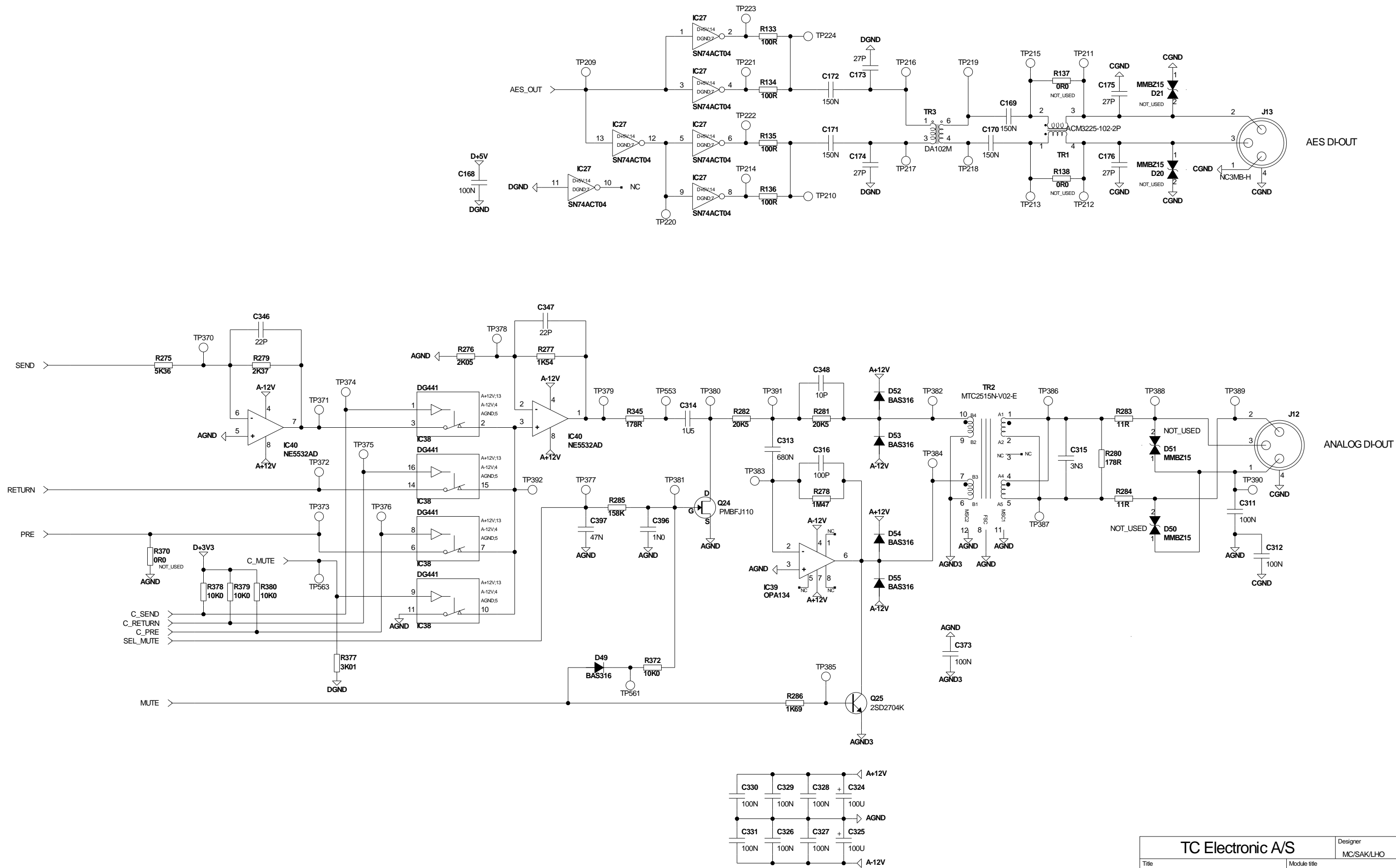


M6
GND2:1,2,3,4
SCREWTERM

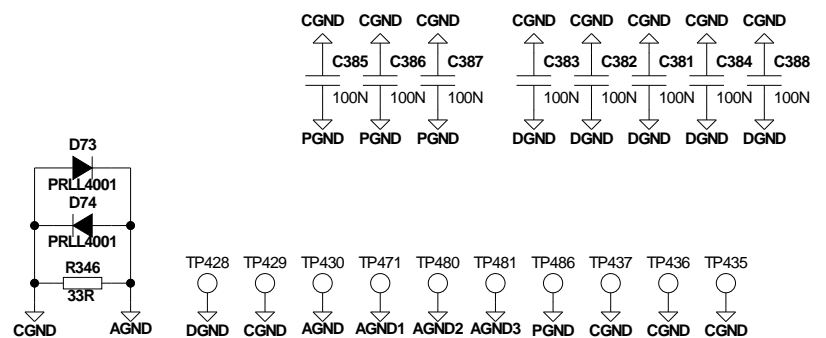
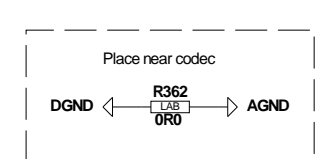
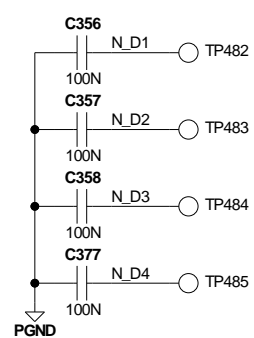
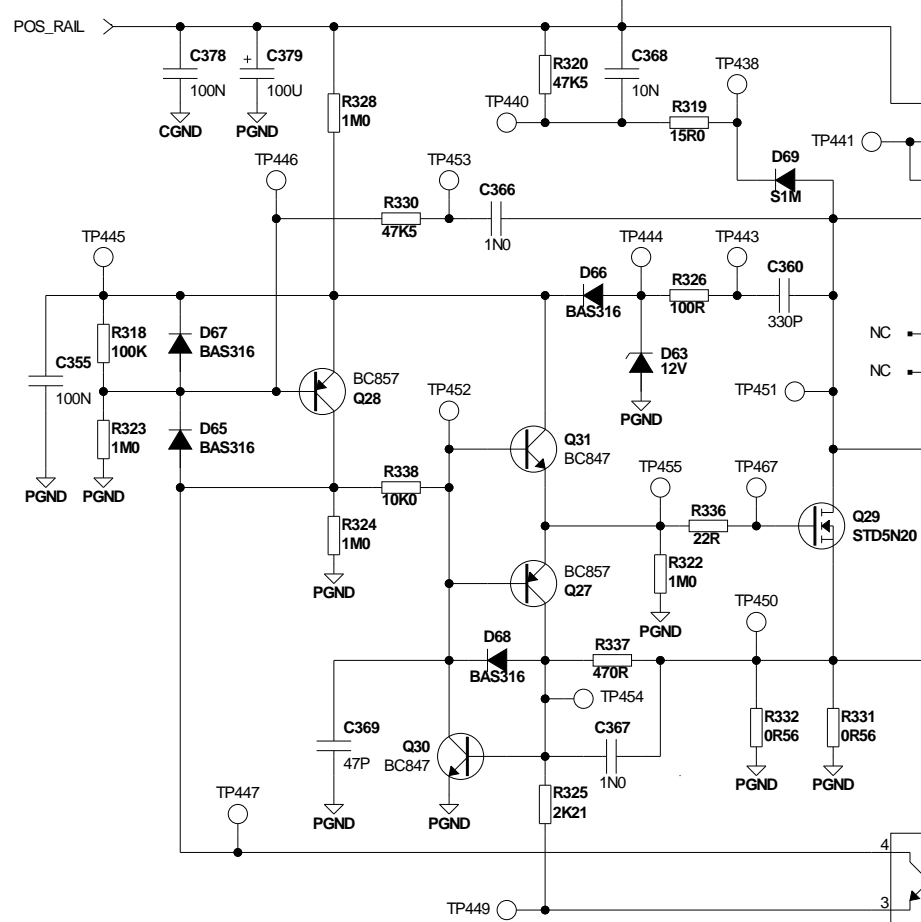
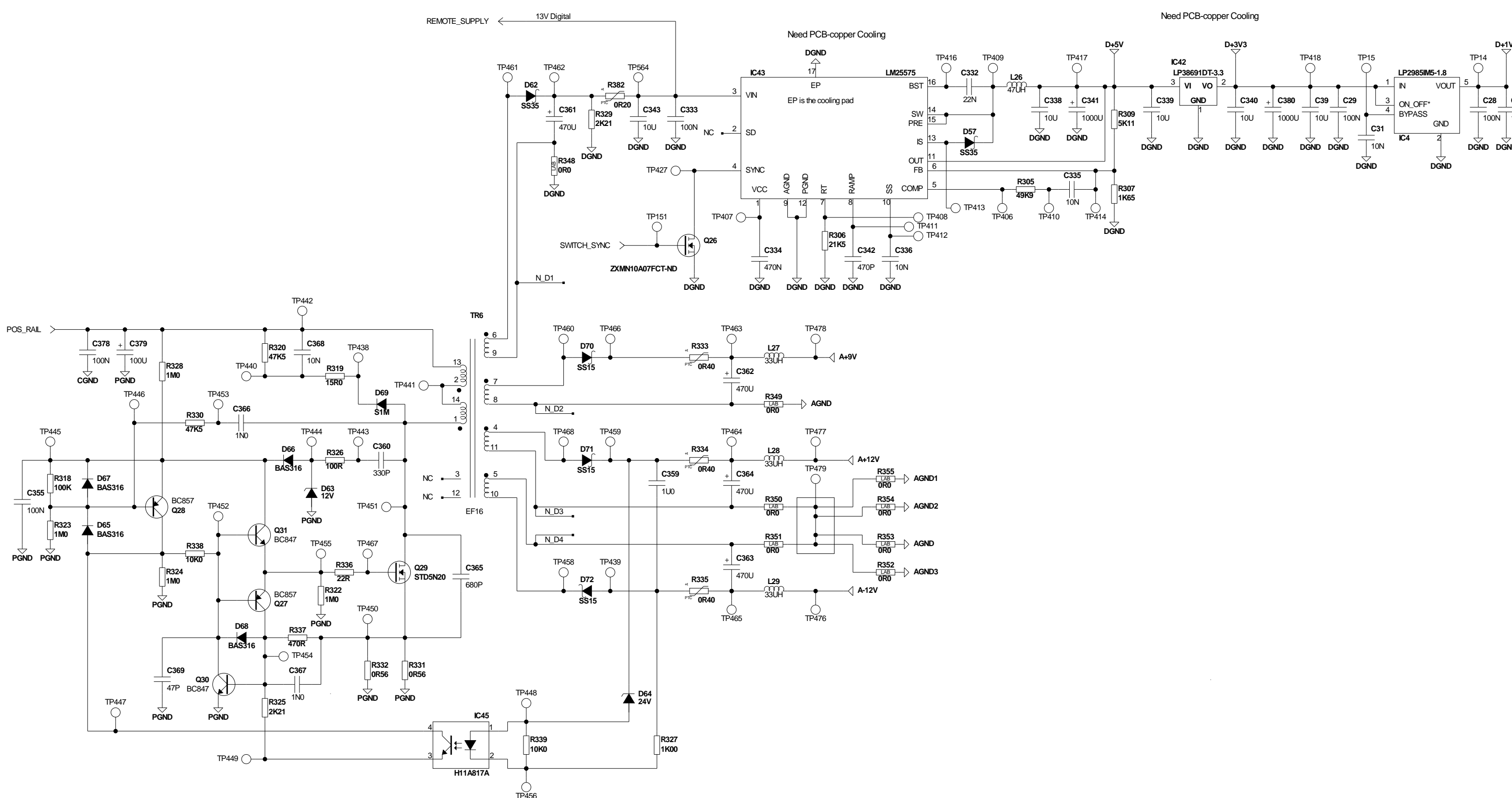
Headphones



TC Electronic A/S		Designer MC/SAK/LHO
Title MAINBOARD		Module title ANALOG OUTPUT
Number P18301	Revision CAB	Previous page 1
Date 11-12-2008 14:44	Filename ANALOG_OUTPUTS	Page / of 6 / 8



TC Electronic A/S		Designer	MC/SAK/LHO
Title		Module title	
MAINBOARD		DI SECTION	
Number	Revision	Previous page	
P18301	CAB	1	
Date	Filename	Page / of	
11-12-2008 14:42	DI	7 / 8	



TC Electronic A/S		Designer MC/SAK/LHO
Title MAINBOARD		Module title SUPPLY SECTION
Number P18301	Revision CAB	Previous page 1
Date 11-12-2008 14:42	Filename SUPPLY	Page / of 8 / 8