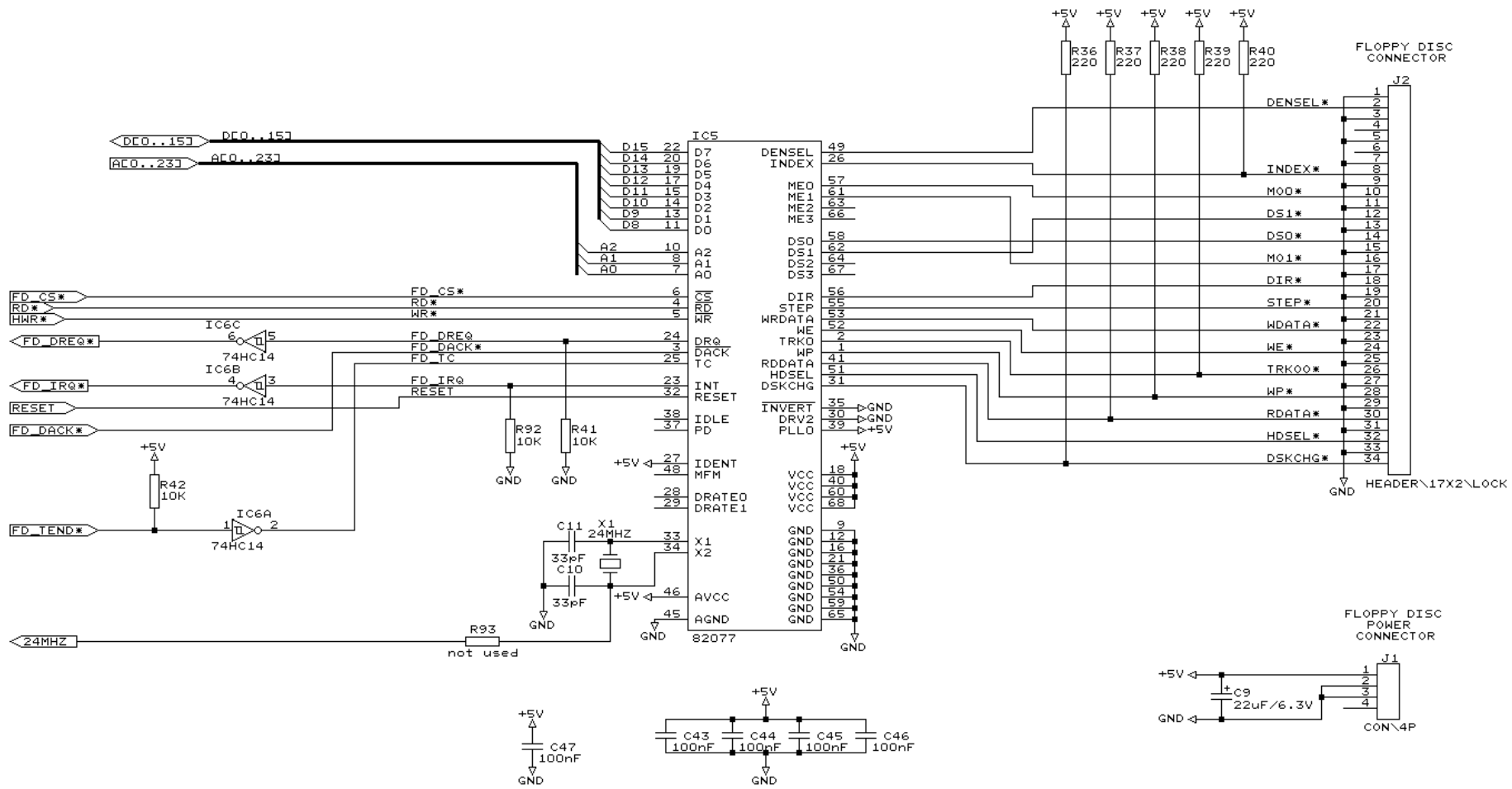
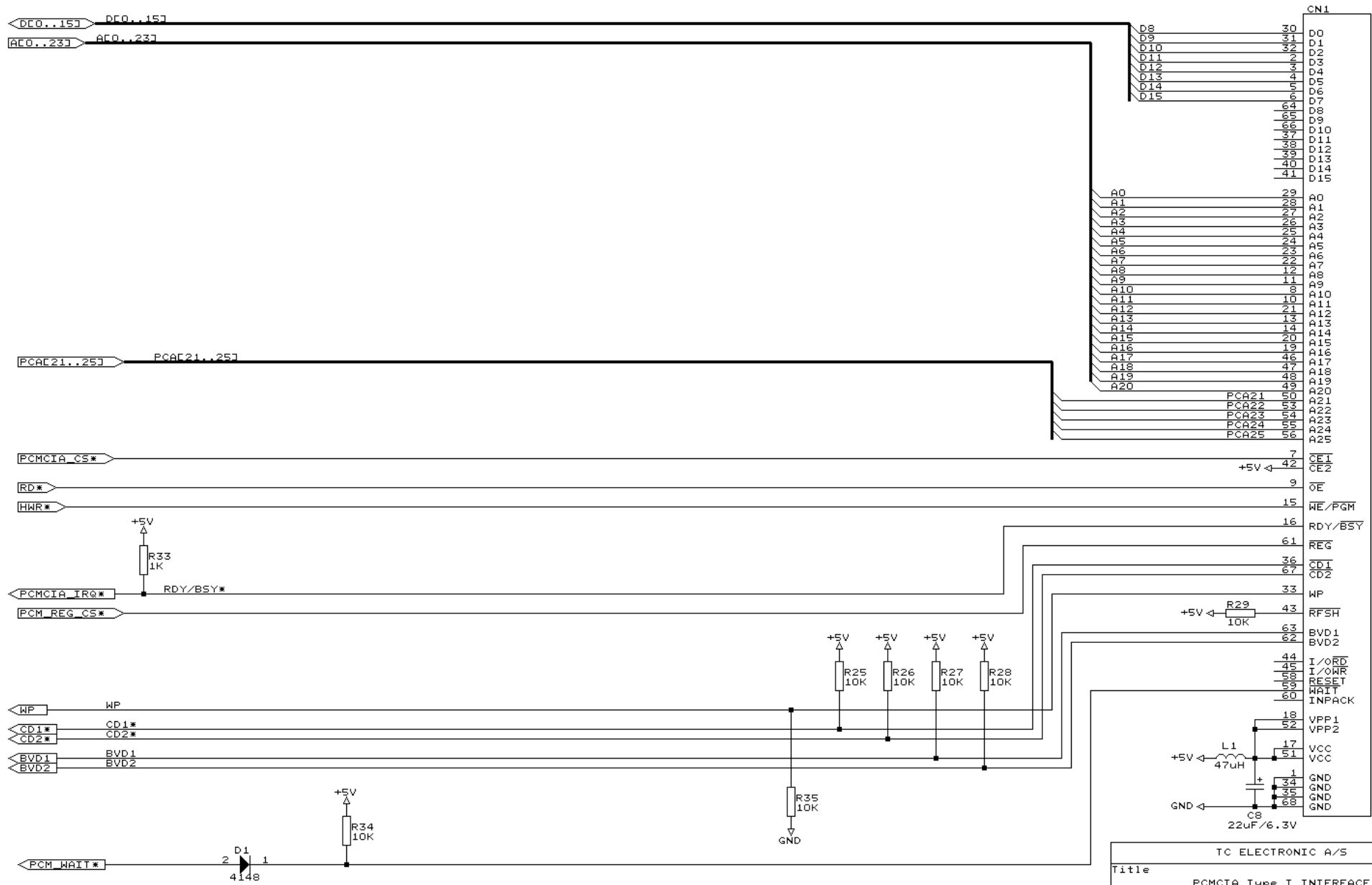


TC ELECTRONIC A/S			
Title M6000 HOST BUS INTERFACE			
Size	Document Number	REV	
B	51BUS3A2.SCH	3A2	
Date:	August 7, 2000	Sheet	2 of 7

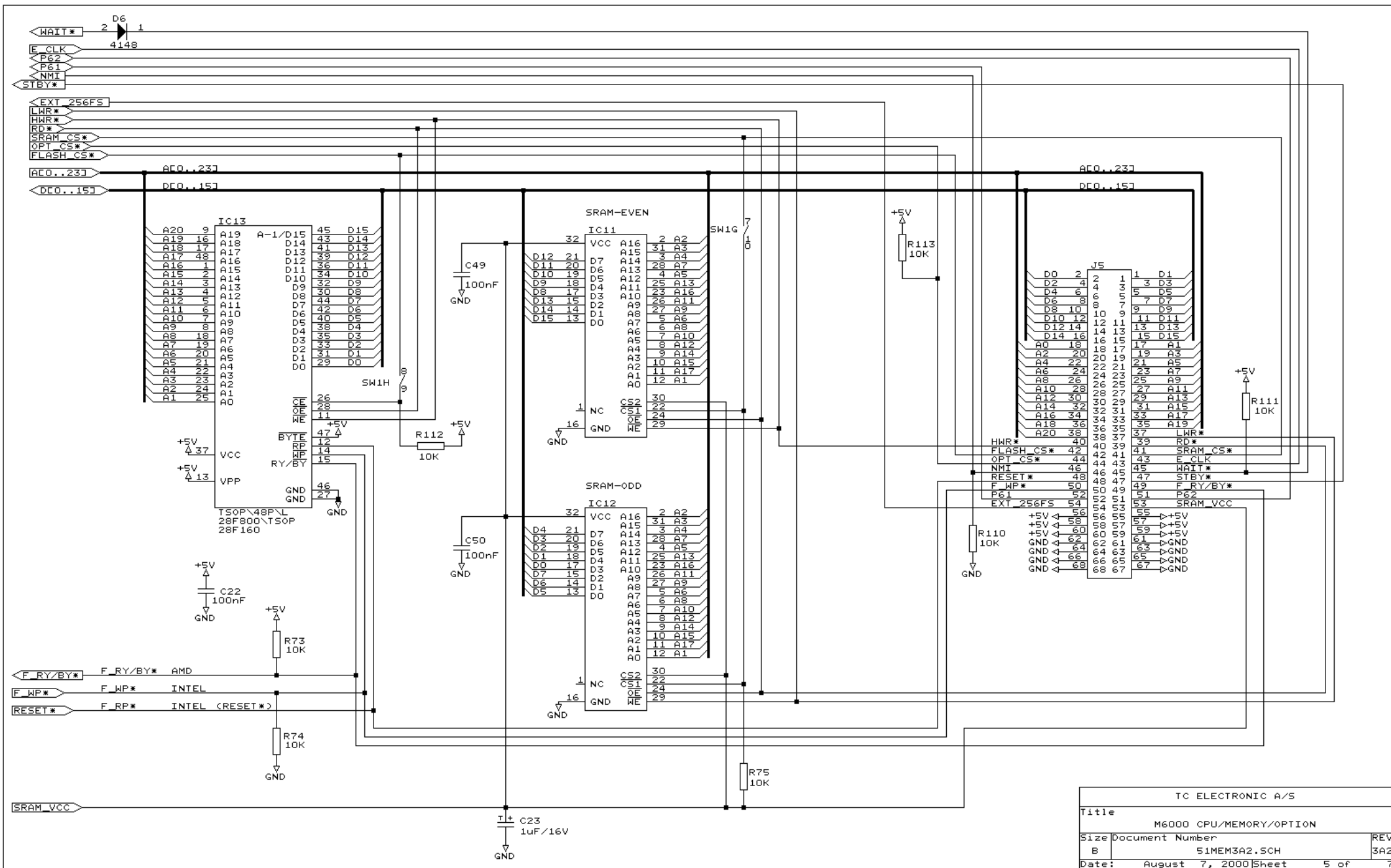


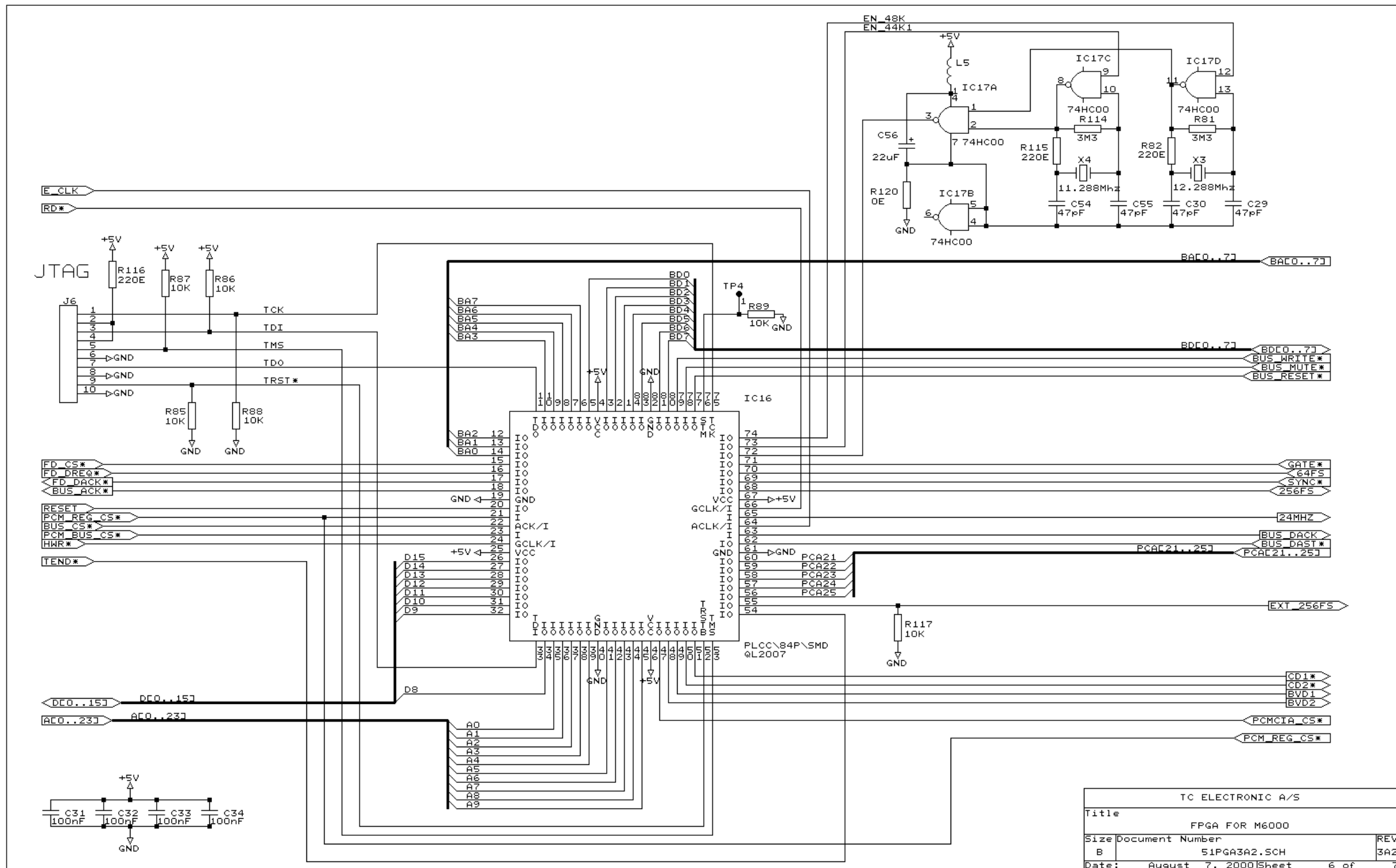
TC ELECTRONIC A/S			
Title M6000 FLOPPY DISK INTERFACE			
Size	Document Number	REV	
B	51DSK3A2.SCH	3A2	
Date:	August 7, 2000	Sheet	3 of 7

# PCMCIA Type I

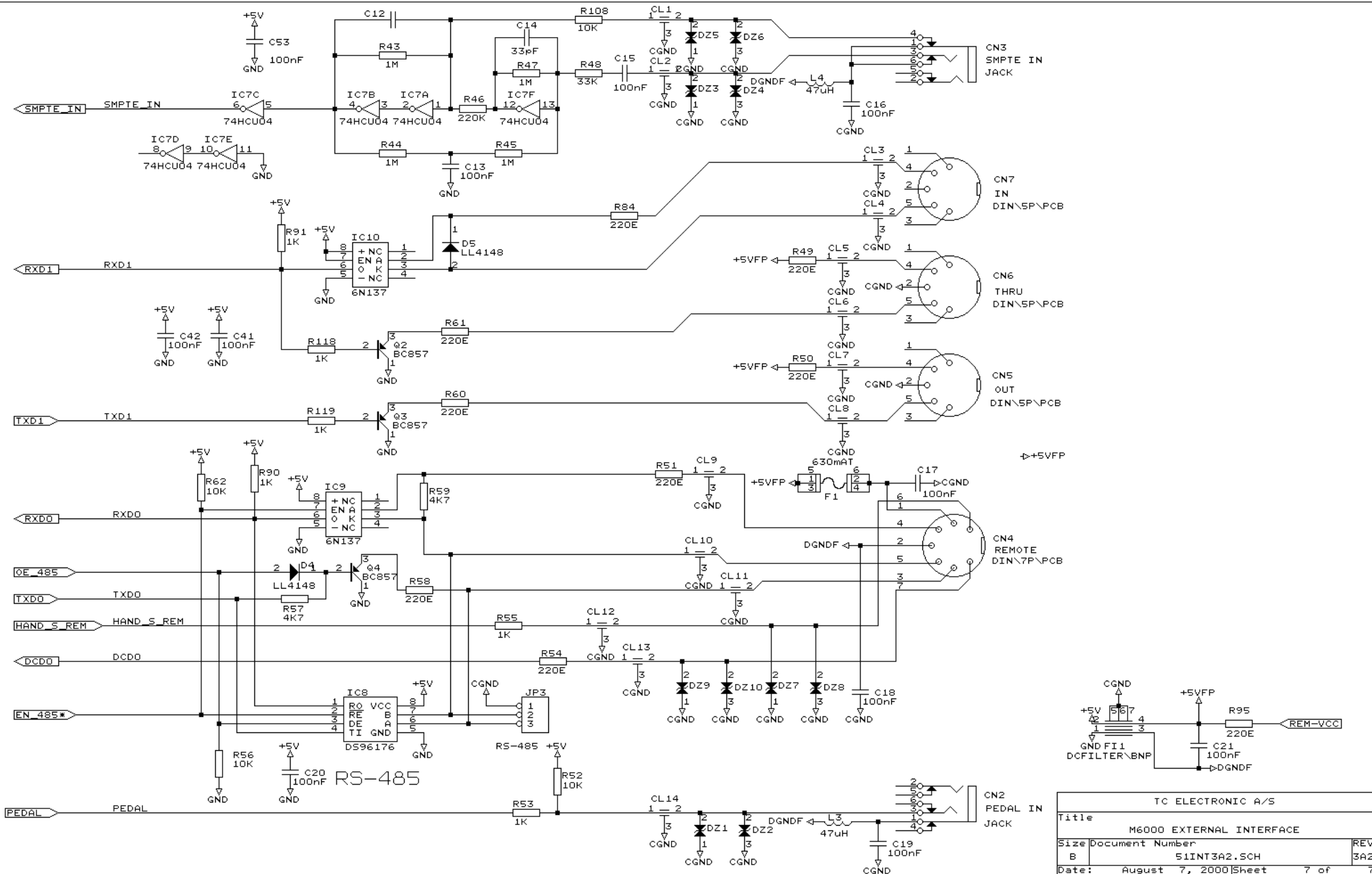


TC ELECTRONIC A/S		
Title PCMCIA Type I INTERFACE		
Size B	Document Number 51PCM3A2.SCH	REV 3A2
Date: August 7, 2000	Sheet 4 of	7





TC ELECTRONIC A/S		
Title	FPGA FOR M6000	
Size	Document Number	REV
B	51PGA3A2.SCH	3A2
Date:	August 7, 2000	Sheet 6 of 7



TC ELECTRONIC A/S		
Title M6000 EXTERNAL INTERFACE		
Size B	Document Number 51INT3A2.SCH	REV 3A2
Date:	August 7, 2000	Sheet 7 of 7