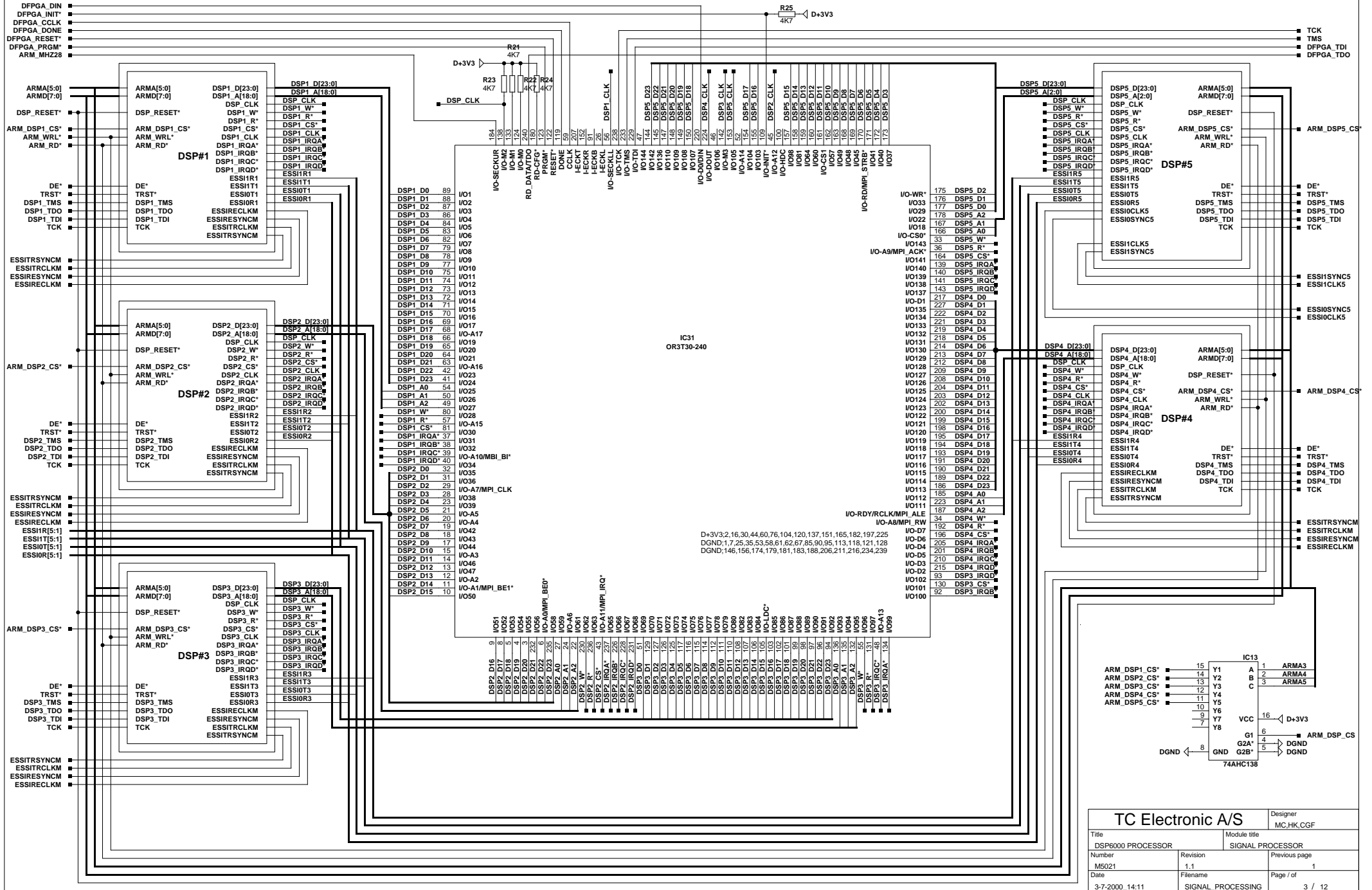
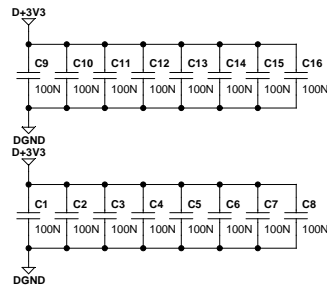
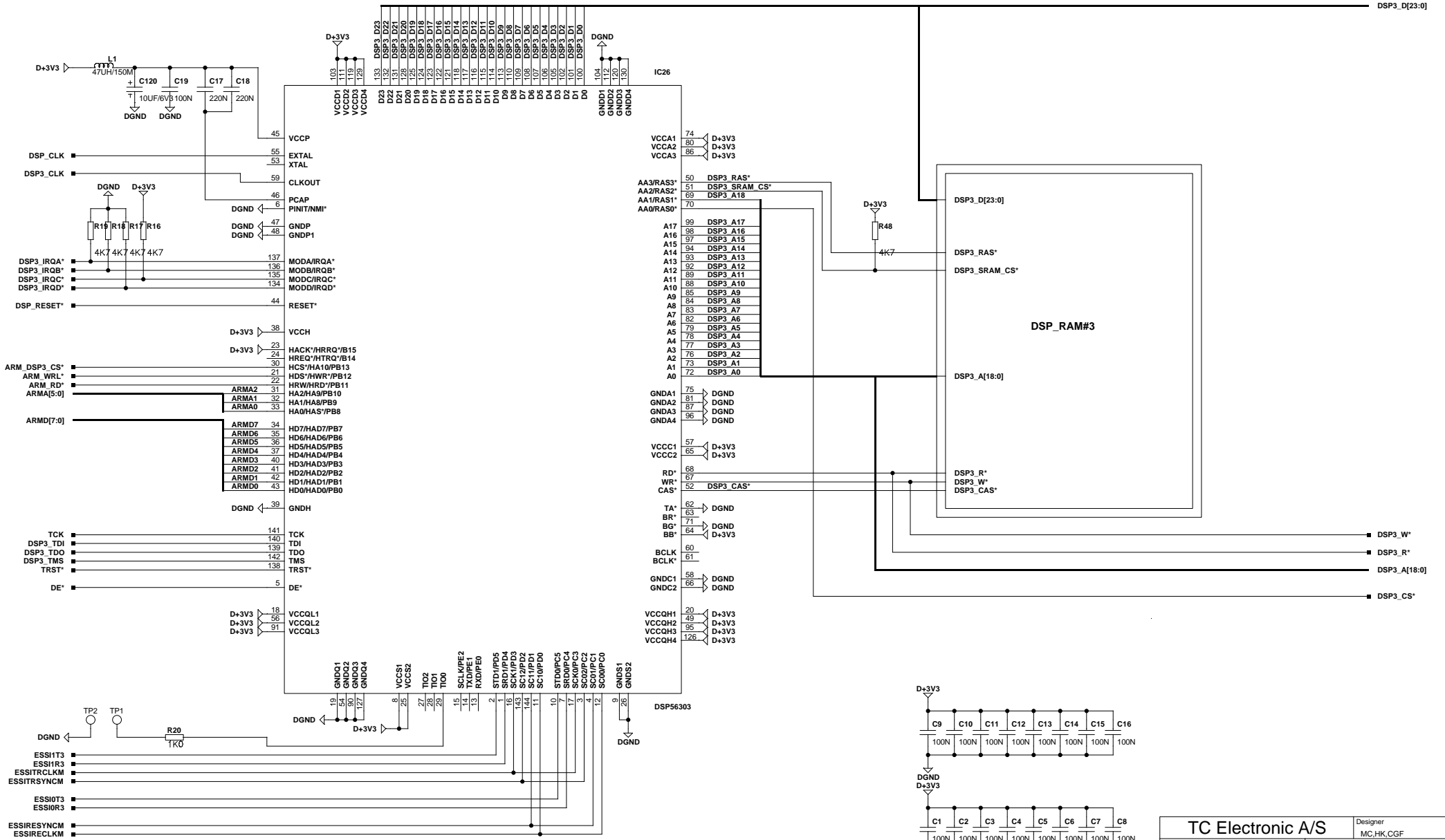
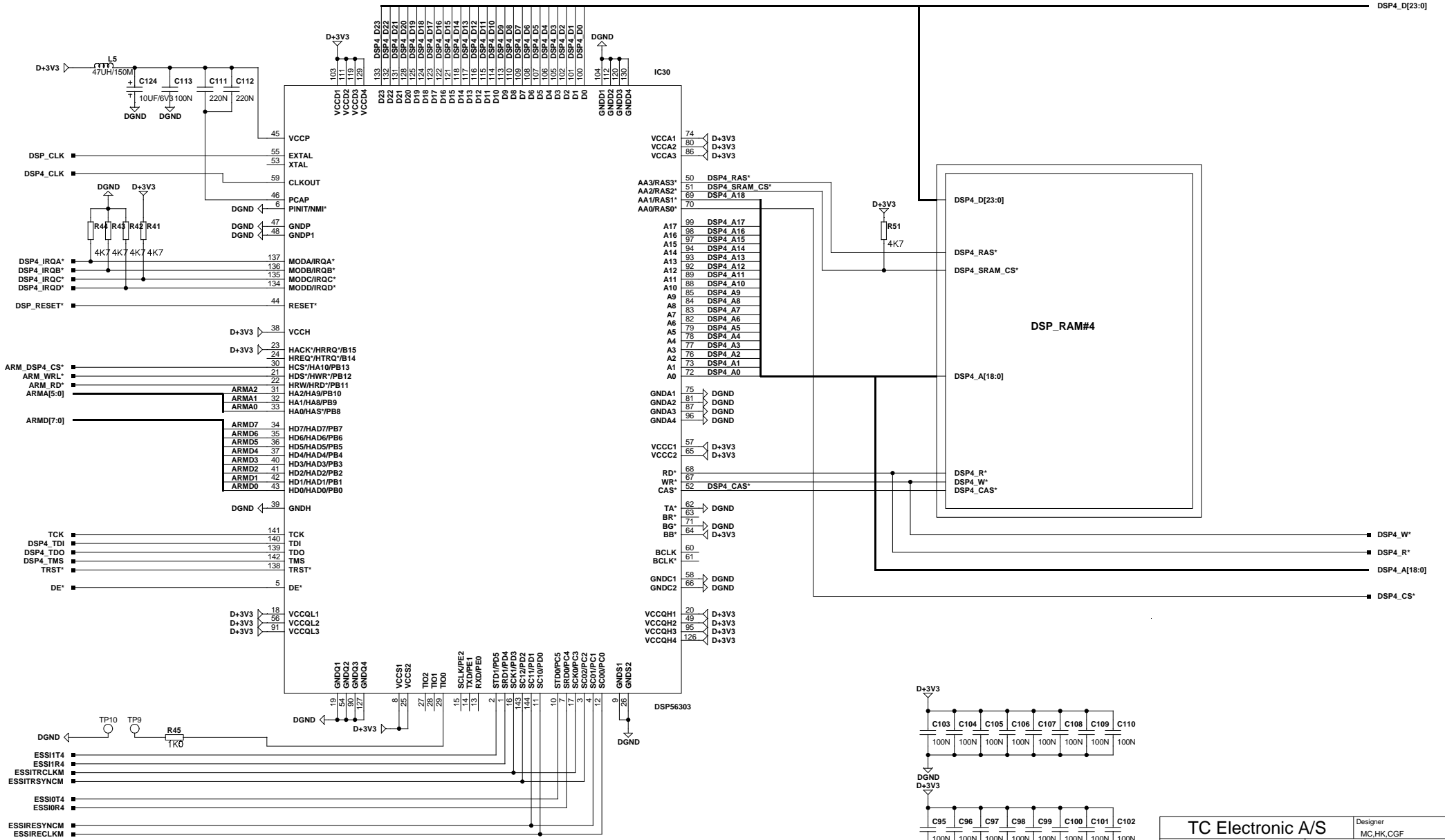


TC Electronic A/S		Designer MC.HK.CGF
Title DSP6000 PROCESSOR		Module title TOP SHEET
Number M5021	Revision 1.1	Previous page XX
Date 3-7-2000 14:12	Filename M5021-11	Page / of 1 / 12

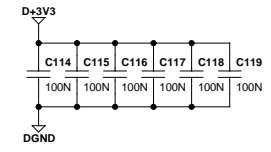
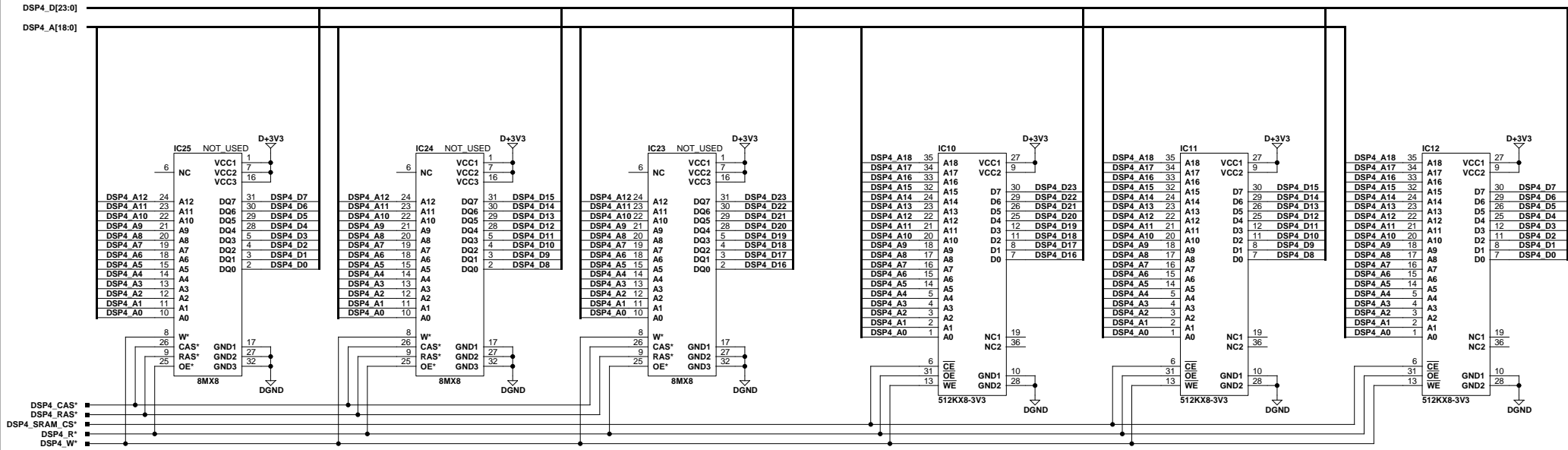




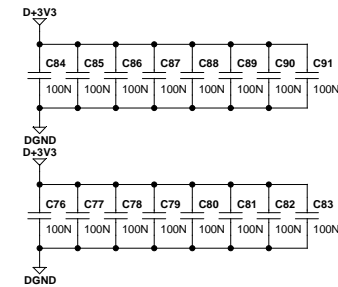
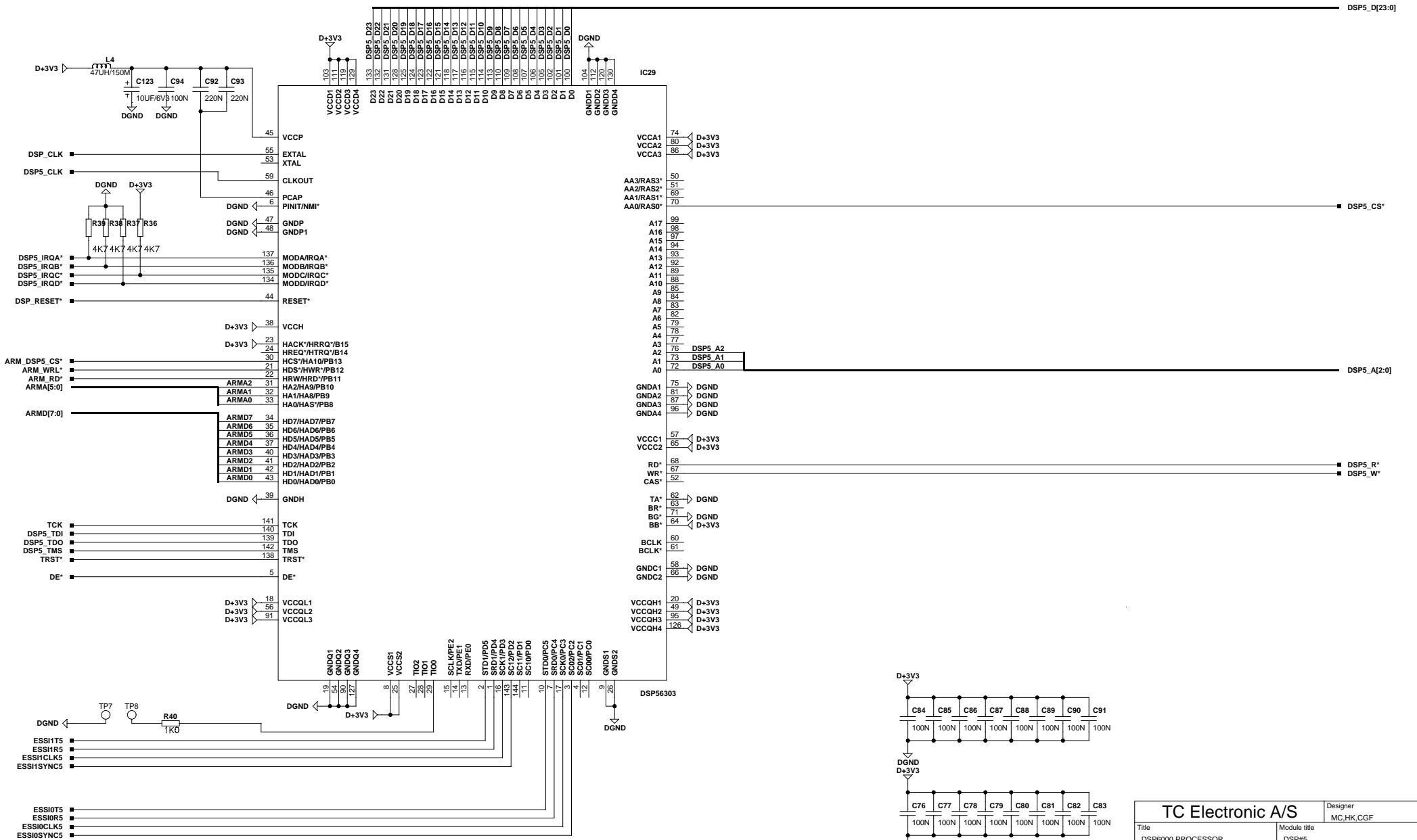
TC Electronic A/S		Designer
Title	DSP6000 PROCESSOR	Module title DSP#3
Number	M5021	Revision 1.1
Date	3-7-2000 14:07	Previous page 3
	Filename DSP#3	Page / of 8 / 12



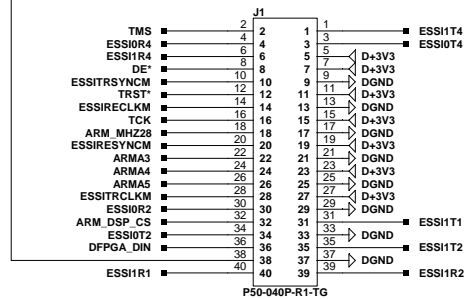
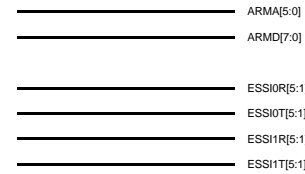
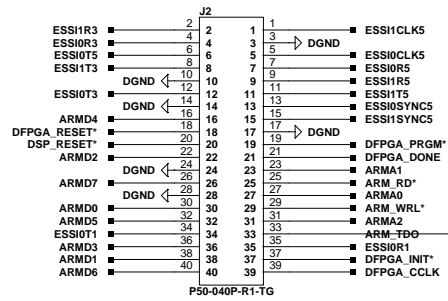
TC Electronic A/S		Designer
Title	DSP6000 PROCESSOR	MC.HK.CGF
Module title	DSP#4	
Number	M5021	Previous page
Revision	1.1	3
Date	3-7-2000 14:10	Page / of
Filename	DSP#4	10 / 12

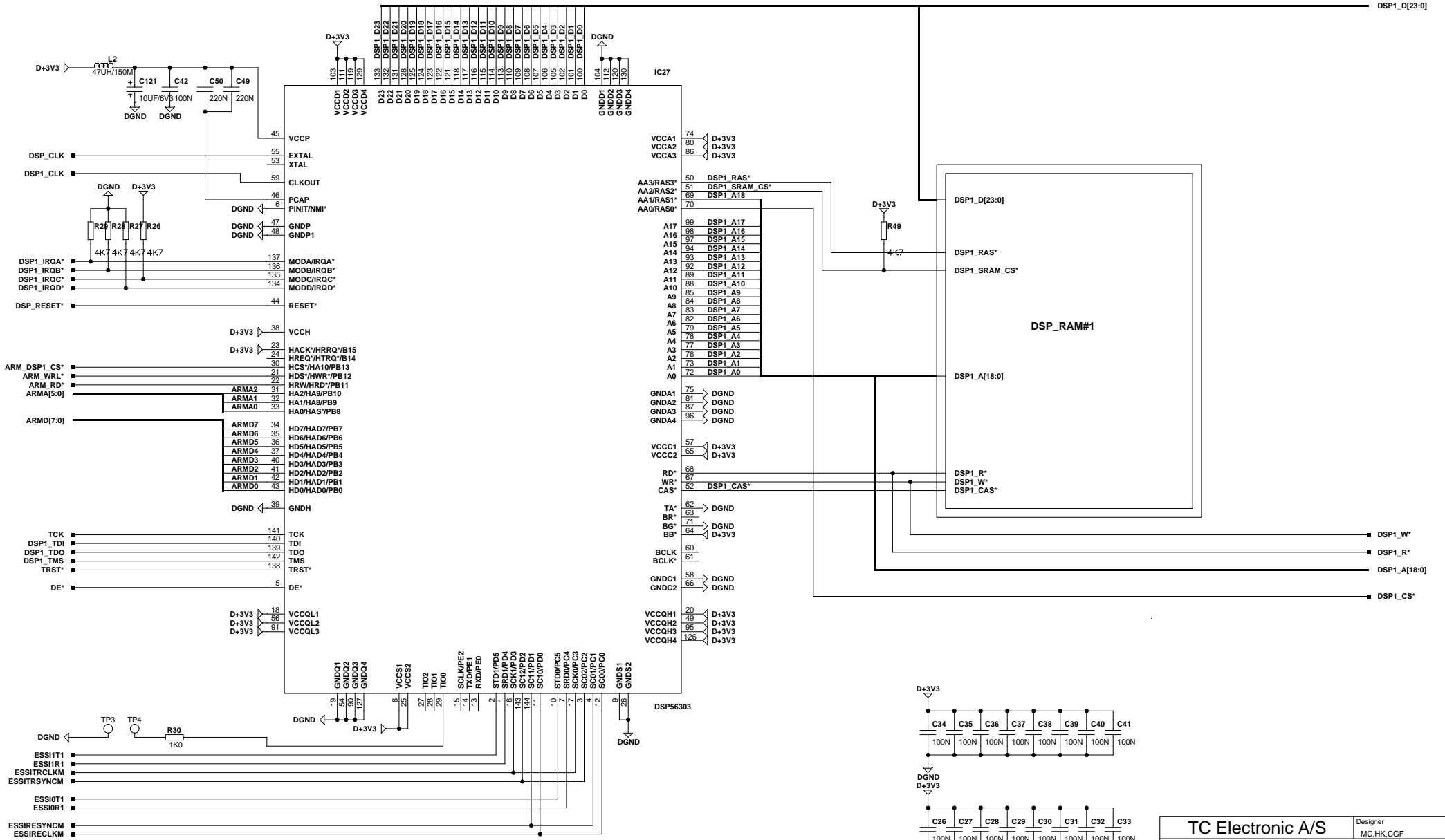


TC Electronic A/S		Designer MC.HK.CGF
Title DSP6000 PROCESSOR	Module title DSP RAM#4	
Number M5021	Revision 1.1	Previous page 10
Date 3-7-2000 14:09	Filename DSP_RAM#4	Page / of 11 / 12

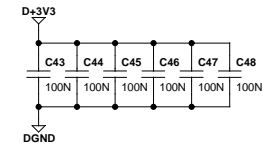
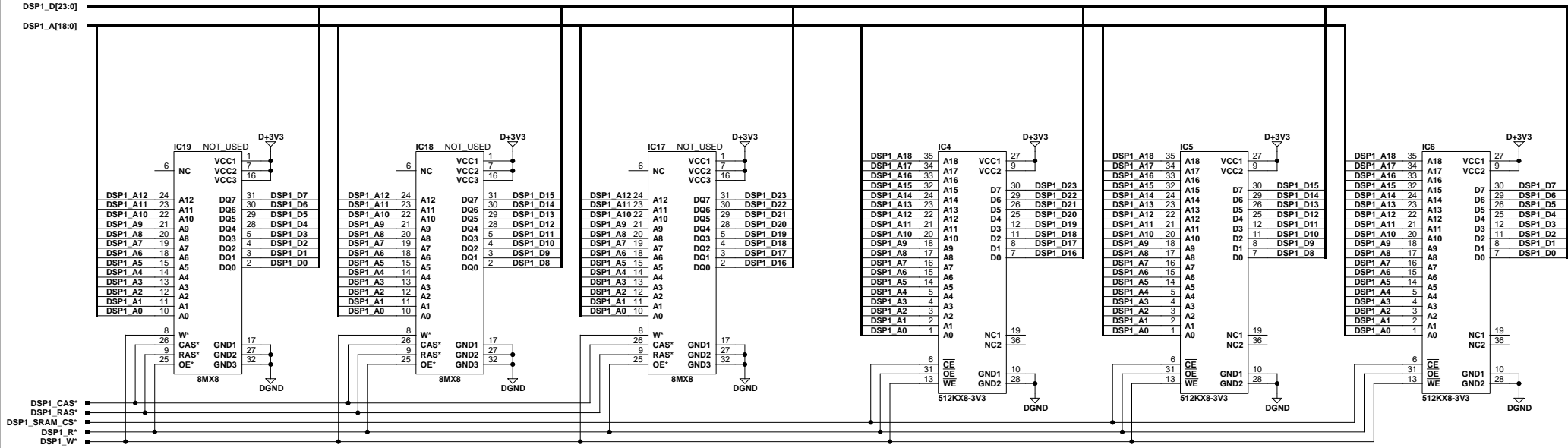


TC Electronic A/S		Designer
Title	DSP6000 PROCESSOR	MC.HK.CGF
Module title	DSP#5	
Number	M5021	Revision
Revision	1.1	Previous page
Date	3-7-2000 14:11	Page / of
Filename	DSP#5	12 / 12

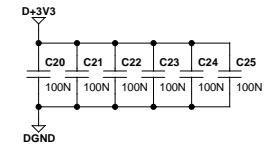
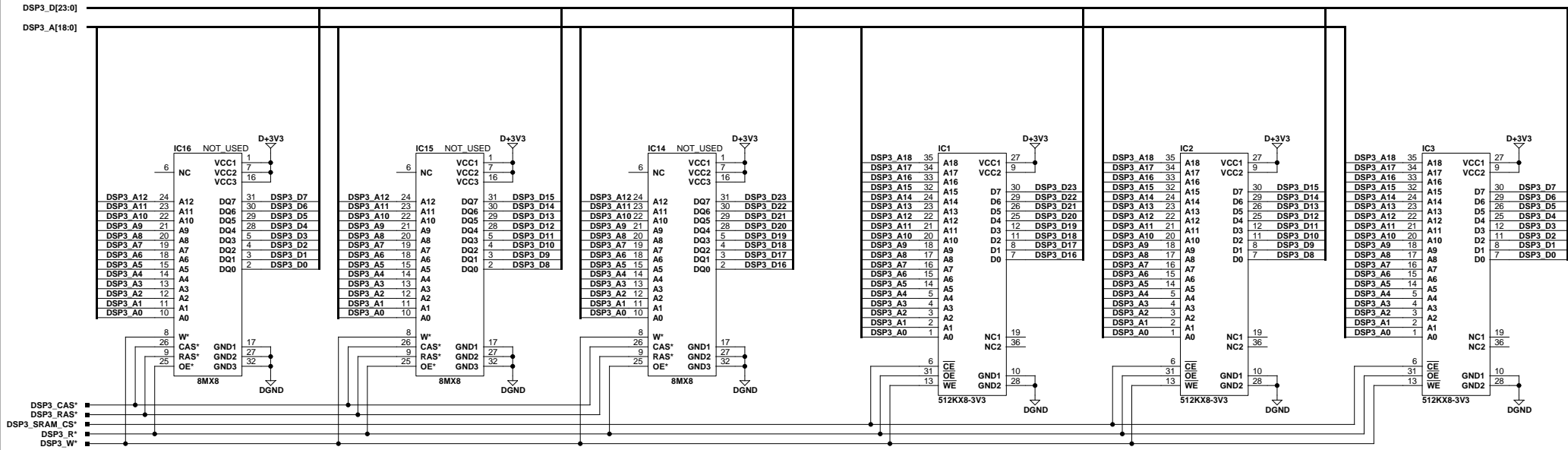




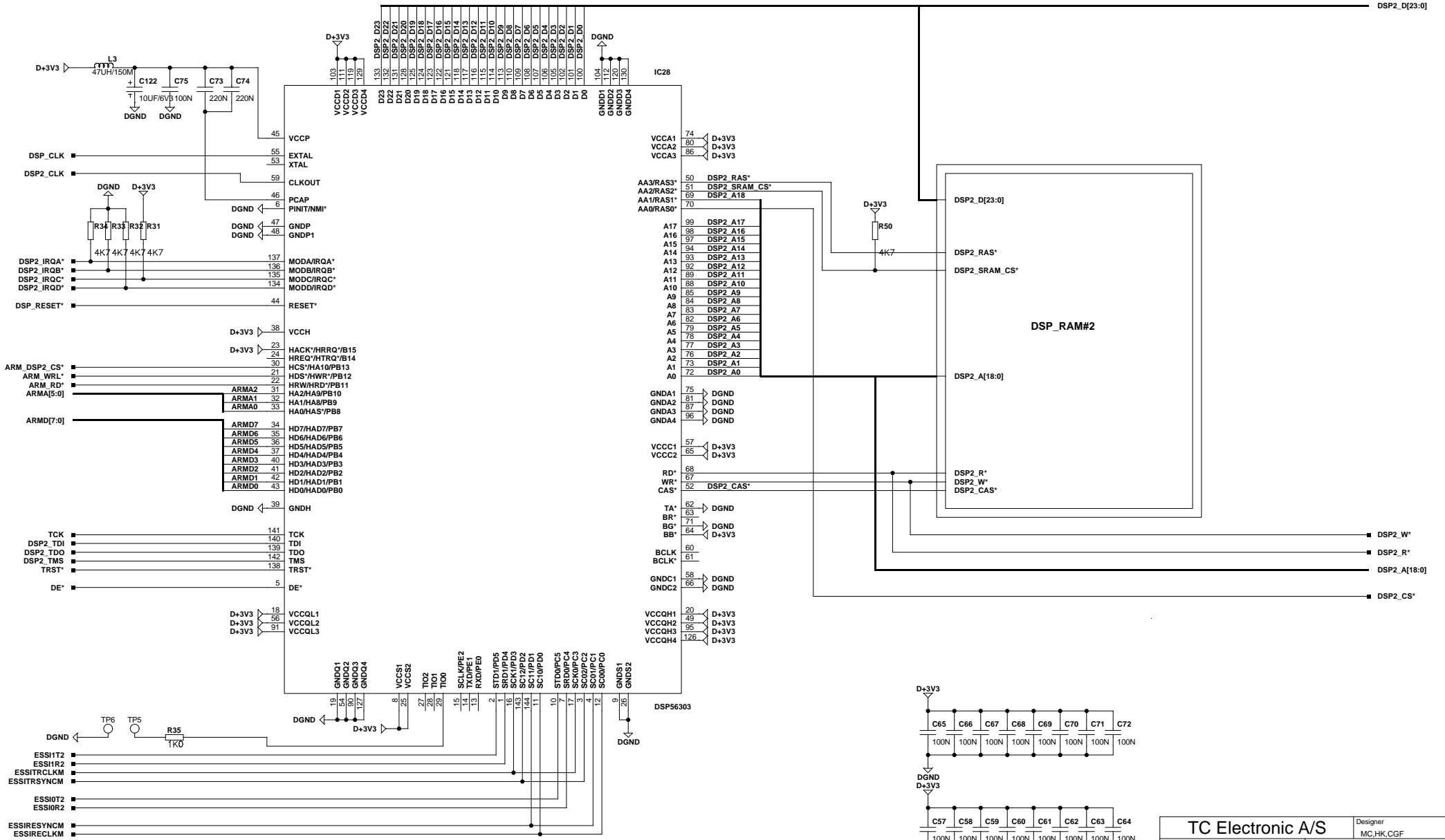
TC Electronic A/S		Designer
Title	DSP6000 PROCESSOR	MC.HK.CGF
Module title	DSP#1	
Number	M5021	Revision
		1.1
Previous page		3
Date	3-7-2000 14:12	Filename
		DSP#1
Page / of		4 / 12



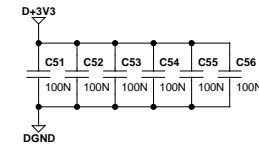
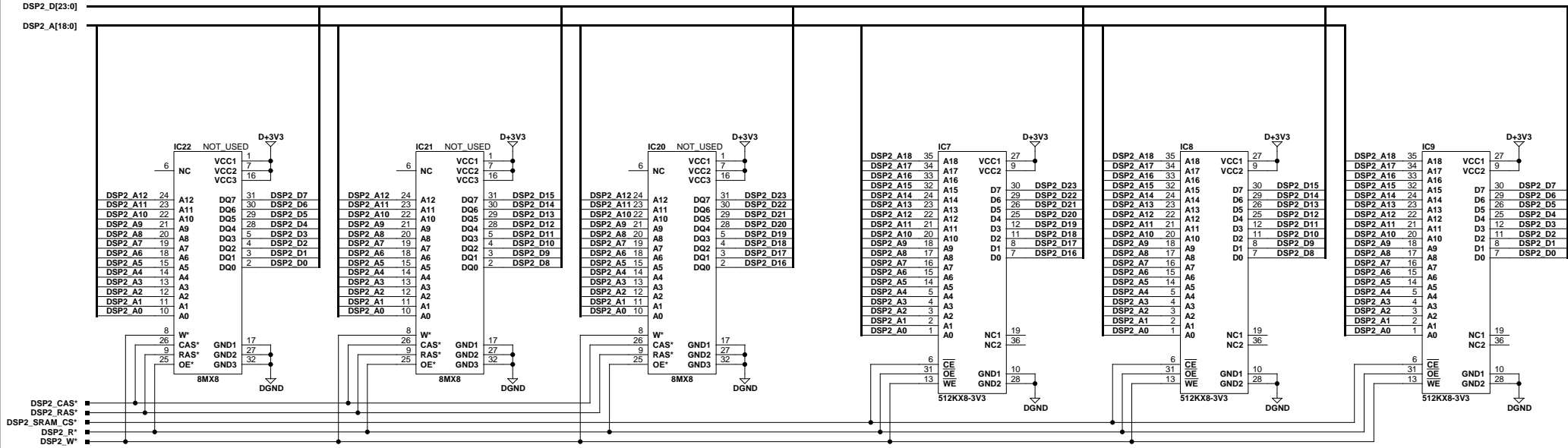
TC Electronic A/S		Designer
Title	DSP6000 PROCESSOR	MC.HK.CGF
Module title	DSP RAM#1	
Number	1.1	Previous page
M5021	4	
Date	Filename	Page / of
3-7-2000 14:00	DSP_RAM#1	5 / 13



TC Electronic A/S		Designer MC.HK.CGF
Title DSP6000 PROCESSOR		Module title DSP RAM#3
Number M5021	Revision 1.1	Previous page 8
Date 3-7-2000 14:07	Filename DSP_RAM#3	Page / of 9 / 12



TC Electronic A/S		Designer
Title	DSP6000 PROCESSOR	MC.HK.CGF
Module title	DSP#2	
Number	M5021	Previous page
Revision	1.1	3
Date	3-7-2000 14:12	Page / of
Filename	DSP#2	6 / 12



TC Electronic A/S		Designer MC.HK.CGF
Title DSP6000 PROCESSOR	Module title DSP RAM#2	
Number M5021	Revision 1.1	Previous page 6
Date 3-7-2000 14:04	Filename DSP_RAM#2	Page / of 7 / 13